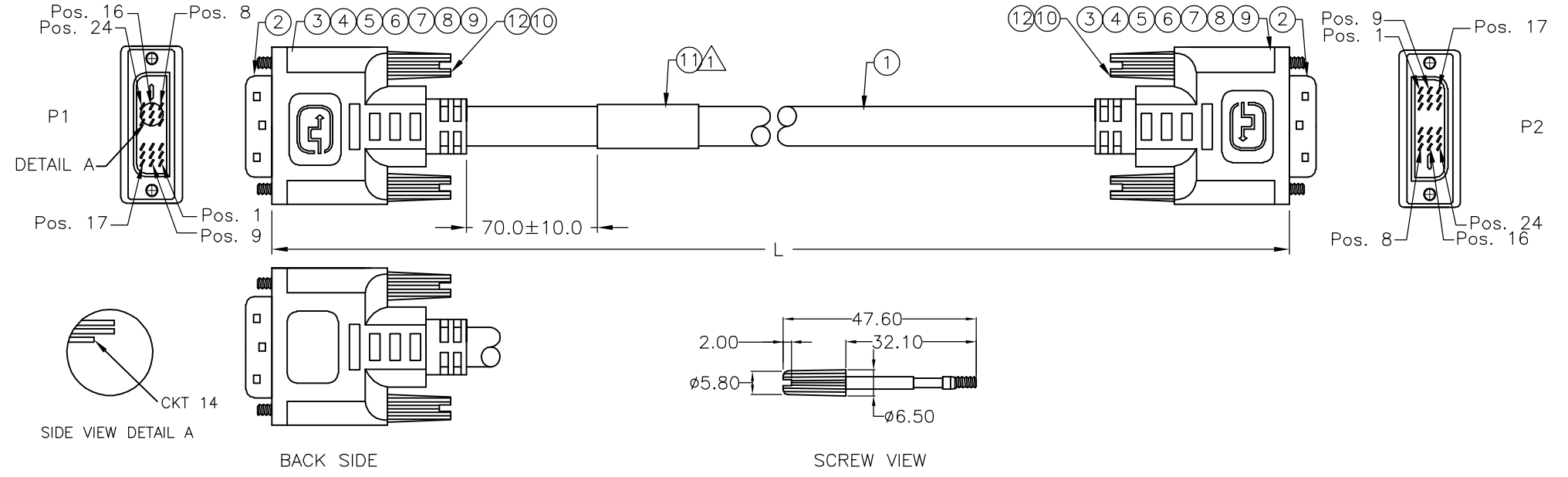


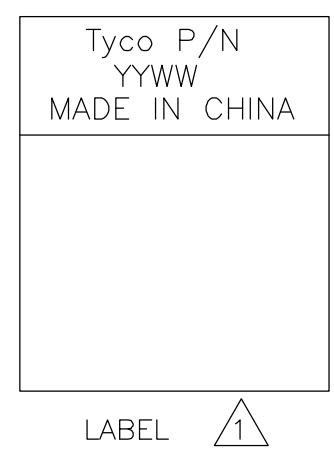
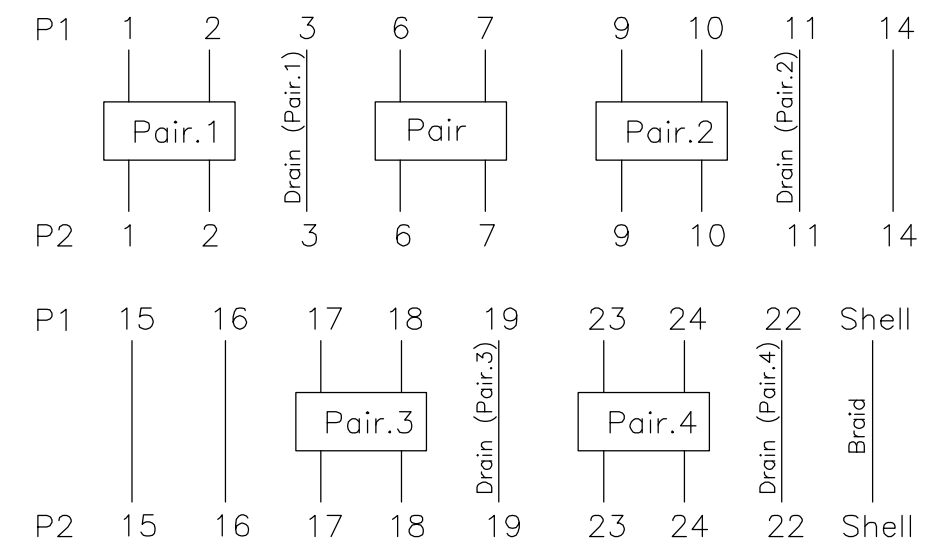
THIS DRAWING IS UNPUBLISHED. RELEASED FOR PUBLICATION. LOC GP DIST 00

COPYRIGHT BY TYCO ELECTRONICS CORPORATION. ALL RIGHTS RESERVED.	REVISIONS			DATE	DWN	APVD
	P	LTR	DESCRIPTION	20SEP05	CJ	SZ



- NOTE :
- CABLE LABEL TO BE APPLIED AS SHOWN.
 - CABLE SHALL BE TESTED WITH AUTOMATED TEST EQUIPMENT FOR THE FOLLOWING:
 - A. CONNECTION RESISTANCE SHALL NOT EXCEED 5 OHMS.
 - B. INSULATION RESISTANCE 10 MEGOHMS, MIN.
 - C. HIPOT-300 VOLTS AT 0.01 SEC.
 - CABLE ASSEMBLY MUST PASS DVI 1.0 SPECIFICATION.
 - PRODUCT AND PROCESSING MUST MEET REQUIREMENT OF TYCO ELECTRONICS STANDARD 230-702.

PIN ASSIGNMENT :



3000±80	1902304-3
2000±60	1902304-2
1000±30	1902304-1
LENGTH(L)	TYCO P/N

AR	AR	AR	KG	PVC, 95±3 SHORE, WHITE(WH03)	12
1	1	1	PC	Label, Size: 25.0*35.0mm, White: 25.0*13.0mm.	11
4	4	4	PC	DVI #4-40 3*45mm Thumbscrew.	10
AR	AR	AR	M1	Copper Foil, W: 8mm.	9
AR	AR	AR	KG	PVC, Shore A 90±3, Color: White (WH03).	8
AR	AR	AR	M1	Heat Shrink Tubing, OD:13.0mm, Color: Black.	7
AR	AR	AR	M1	Heat Shrink Tubing, OD:3.5mm, Color: Black.	6
AR	AR	AR	M1	Heat Shrink Tubing, OD:1.5mm, Color: Black.	5
AR	AR	AR	M1	Heat Shrink Tubing, OD:1.0mm, Color: Black.	4
2	2	2	PC	Metal Can For DVI Connector, Meet OD: 8.0mm	3
2	2	2	PC	DVI-D Digital, 18Pin+1Pin, Gold Flash	2
AR	AR	AR	M1	UL20276 (1P*28AWG+Drain+AL/Mylar)*4+(1P+3C)*28AWG+Al/Mylar+Braid. Color: Black(BK01)	1
-3	-2	-1	U/M	DESCRIPTION	ITEM

THIS DRAWING IS A CONTROLLED DOCUMENT.		DWN	20SEP05	Tyco Electronics Corporation Harrisburg, Pa 17105-3608	
DIMENSIONS: mm		CHK	-	DVI_D SINGLE LINK CABLE ASSEMBLY	
TOLERANCES UNLESS OTHERWISE SPECIFIED:		APVD	-	RESTRICTED TO	
0 PLC ± -		PRODUCT SPEC	-	SIZE	CAGE CODE
1 PLC ± -		APPLICATION SPEC	-	A3	00779
2 PLC ± 0.5		WEIGHT	-	DRAWING NO	C=1902304
3 PLC ± -		CUSTOMER DRAWING	-	SCALE	1:1
4 PLC ± -		SCALE	1:1	SHEET	1 OF 1
ANGLES ± -		REV	A		
FINISH -					