

4

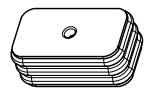
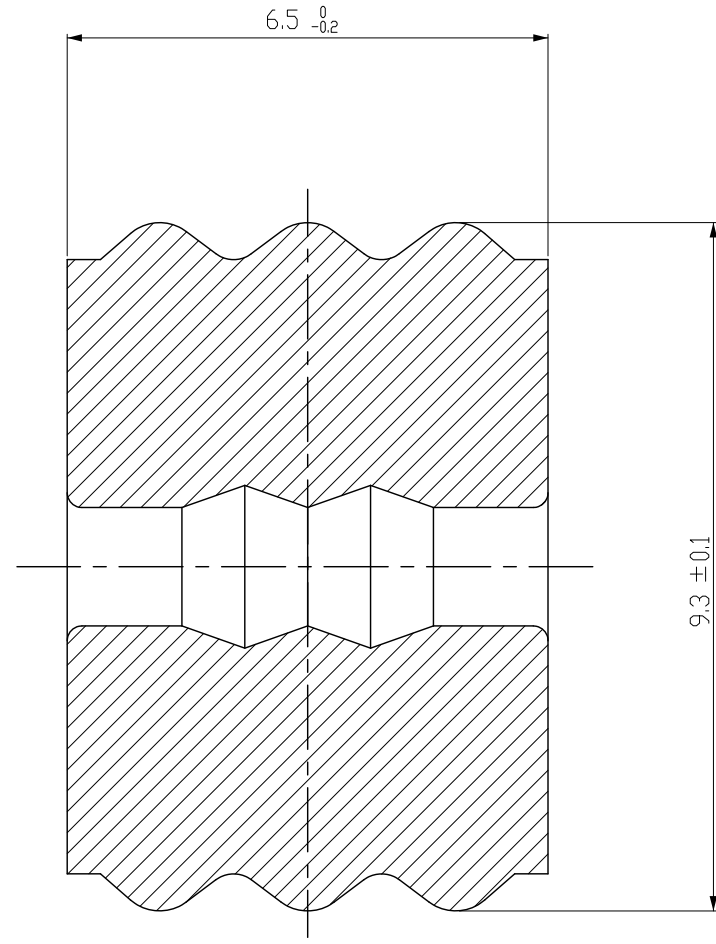
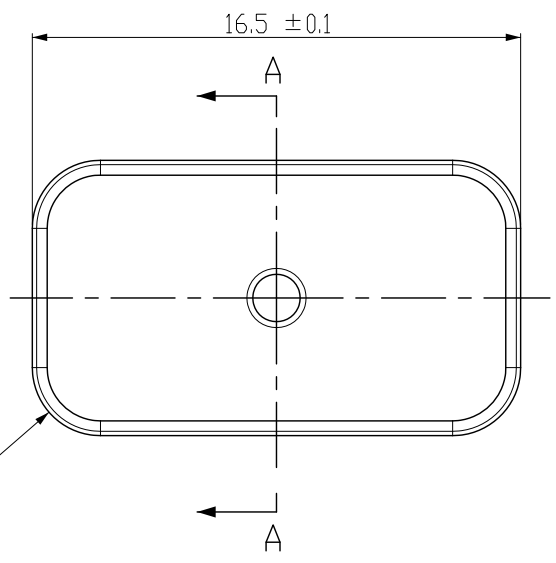
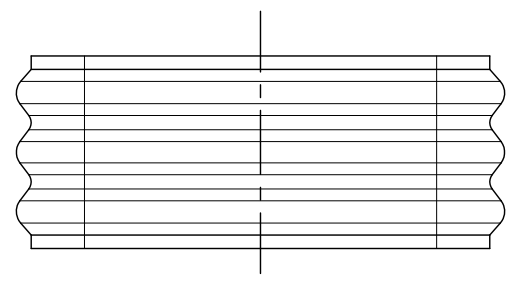
3

2

1

THIS DRAWING IS UNPUBLISHED. RELEASED FOR PUBLICATION 20
 © COPYRIGHT 20 BY TYCO ELECTRONICS CORPORATION. ALL RIGHTS RESERVED.

LOC	DIST	REVISIONS			
P	LTR	DESCRIPTION	DATE	DWN	APVD
DS	-	A	RELEASED	12.DEC '07	IS JK



3D VIEW
SCALE 1:1

SECTION A-A
SCALE 10:1

NOTE

- 1. GENERAL TOLERANCE: ±0.3, ±5°
- 2. INSULATION DIA: 2.0~2.7mm

BLACK	SILICON	1897955-1
COLOR	MATERIAL	P/N

<small>THIS DRAWING IS A CONTROLLED DOCUMENT FOR TYCO ELECTRONICS CORPORATION IT IS SUBJECT TO CHANGE AND THE CONTROLLING ENGINEERING ORGANIZATION SHOULD BE CONTACTED FOR THE LATEST REVISION.</small>		DWN	-				
DIMENSIONS: mm		IS	WOOD				
		CHK	YM CHOI				
TOLERANCES UNLESS OTHERWISE SPECIFIED:		APVD	JK SONG				
0 PLC ±- 1 PLC ±0.1 2 PLC ±0.10 3 PLC ±0.001 4 PLC ±0.0001 ANGLES ±-		PRODUCT SPEC	-	NAME			
MATERIAL -		APPLICATION SPEC	-	SEAL FOR GROUND TERMINAL			
FINISH -		WEIGHT	-	SIZE	CAGE CODE	DRAWING NO	RESTRICTED TO
		CUSTOMER DRAWING		A3	00779	©-1897955	-
				SCALE	SHEET	OF	REV
				4:1	1	1	A