

THIS DRAWING IS UNPUBLISHED.

RELEASED FOR PUBLICATION

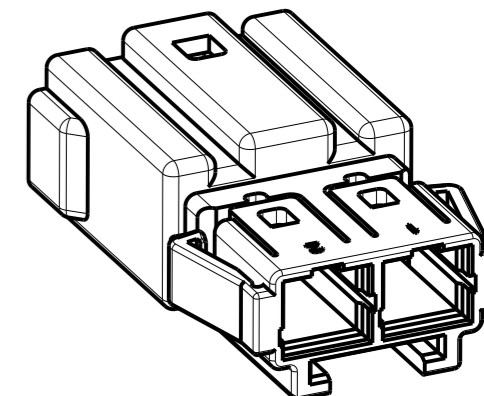
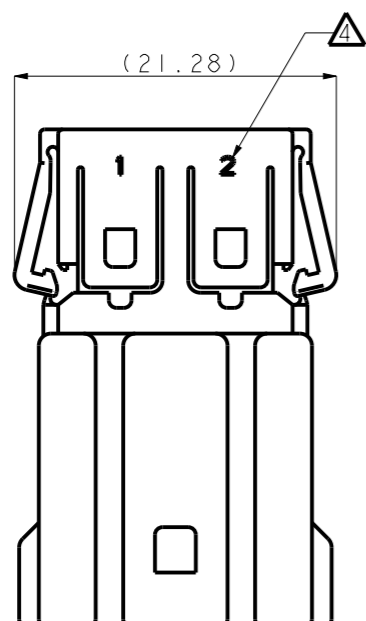
20

© COPYRIGHT 20

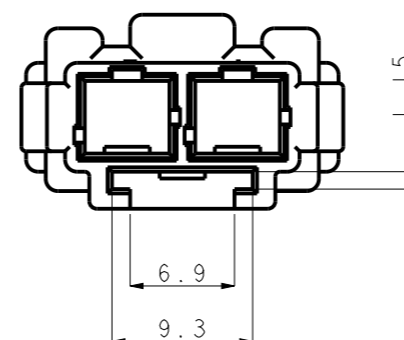
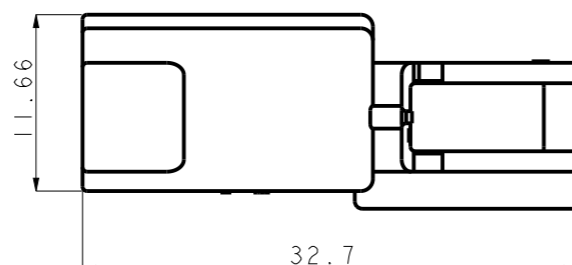
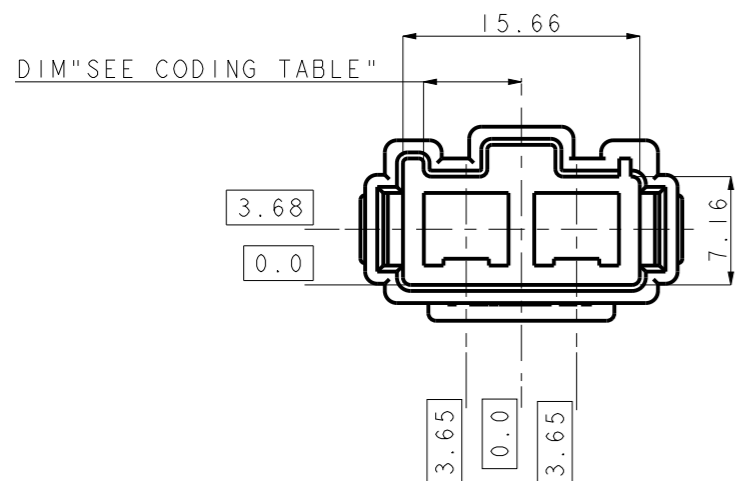
ALL RIGHTS RESERVED.

REVISIONS

P	LTR	DESCRIPTION	DATE	DWN	APVD
	A2	REVISED (ECR-20-010259)	28. SEP. '20	JH	GC



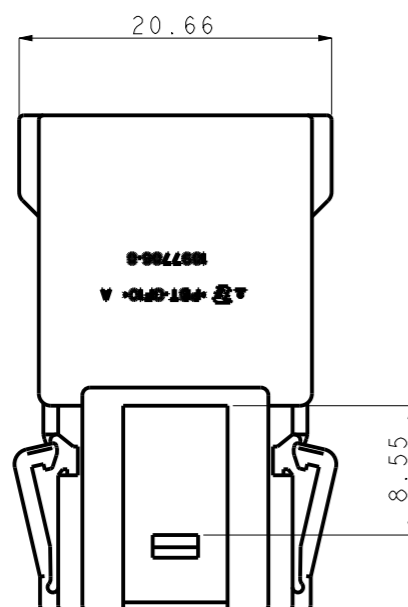
ISO VIEW



KEY CODING	
0-1897786-8 (BLUE)	1-1897786-2 (BLACK)

NOTE

1. THE MATING REC. HSG P/N : 1897789
2. APPLICABLE TAB KIT P/N : 1897787
- A1** 3. CURCUIT NO.
4. GENERAL TOLERANCE : ±0.3
- A2** 5. ALTERNATIVE APPLICABLE TAB KIT P/N : 2378404(LC)



PART NO.	DESCRIPTION	MATERIAL	COLOR
0-1897786-8	TAB HSG	PBT-GF10	BLUE
1-1897786-2	TAB HSG	PBT-GF10	BLACK

THIS DRAWING IS A CONTROLLED DOCUMENT.		DWN GC KWON 03NOV2008	STE TE Connectivity	
DIMENSIONS: mm		CHK KT LIM		
TOLERANCES UNLESS OTHERWISE SPECIFIED: 0 PLC ±.5 1 PLC ±.5 2 PLC ±0.13 3 PLC ±0.013 4 PLC ±0.0001 ANGLES ±.		APVD JK SONG	RESTRICTED TO	
MATERIAL -		PRODUCT SPEC -	SIZE A3	CAGE CODE 00779
FINISH -		APPLICATION SPEC 114-61023	DRAWING NO C-1897786	
CUSTOMER DRAWING		WEIGHT -	SCALE 2:1	
		SHEET 1 OF 1		REV A2