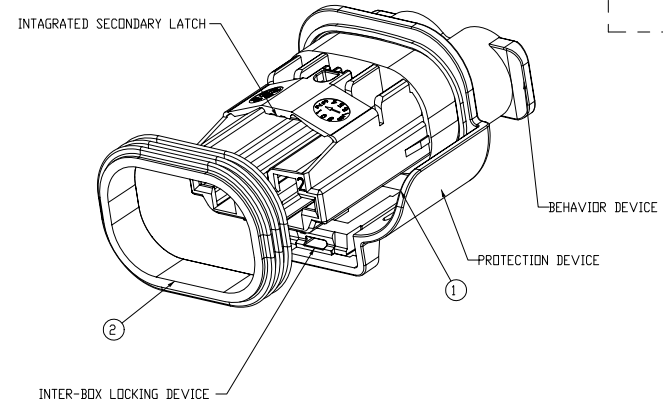
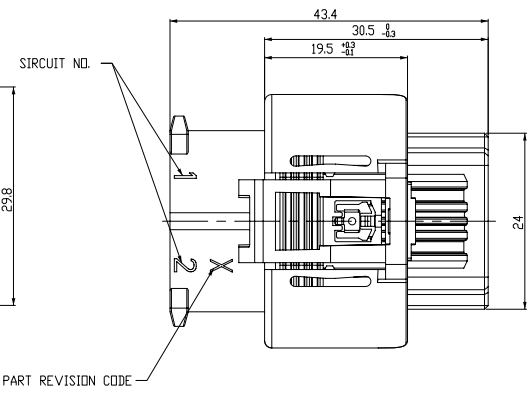
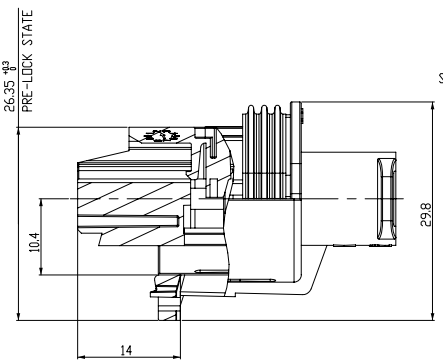
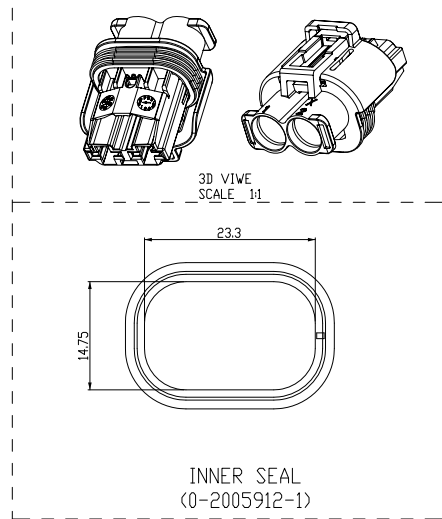
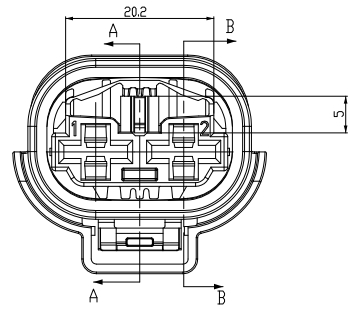
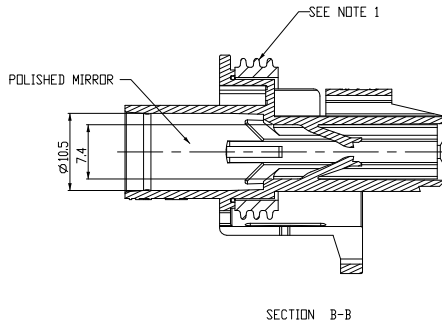
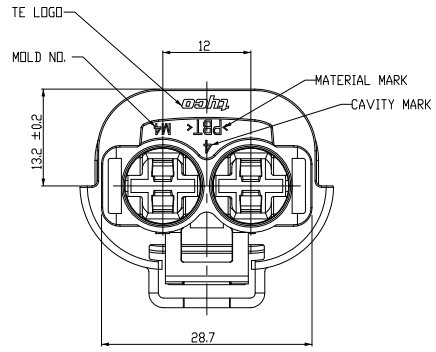
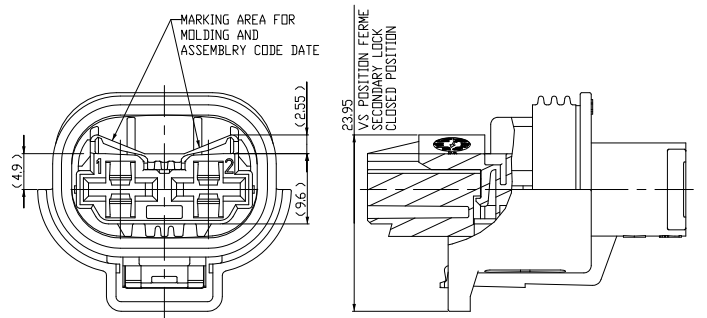


LOC		DIST		REVISIONS				
P	LTR	DESCRIPTION			DATE	DWN	APVD	
A		RELEASED			28 APR '08	DG	HG	



NOTE.
 1. SEAL MUST NO BURRS, CRACKS OR SURFACES DEFECTS
 2. General Tolerance : ±0.3, ±3*

TERMINAL RECEPTACLE HOUSING / SECONDARY LOCKING CLOSED



TE P/N & ASSOCIATED CODING COLORS

P/N	Color
1897717-1	BLACK
1897717-3	GRAY

NO	COLOR	MATERIAL	DESCRIPTION	P/N	Q'TY
2	DRANGE	SILICONE	INTERFACIAL SEAL	2005912-1	1 1
1	GRAY	PBT	RECEPTACLE HOUSING	1544567-3	1 -
	BLACK	PBT	RECEPTACLE HOUSING	1544567-1	- 1

THIS DRAWING IS A CONTROLLED DOCUMENT FOR TYCO ELECTRONICS CORPORATION. IT IS SUBJECT TO CHANGE AND THE CONTROLLING ENGINEERING ORGANIZATION SHOULD BE CONTACTED FOR THE LATEST REVISION.

DIMENSIONS: MM	TOLERANCES UNLESS OTHERWISE SPECIFIED	DWN: DG JEONG	AMP KOREA
0 PLC ±	1 PLC ±	CHK: YM CHOI	Kyungson, Korea
2 PLC ±	3 PLC ±	APVD: HG CHOI	
4 PLC ±	ANGLES ±	PRODUCT SPEC	
MATERIAL: SEE NOTE	FINISH	NAME: .312 2P SEALED PLUG ASS'Y(KNG1)	
		APPLICATION SPEC	
		WEIGHT	
		CUSTOMER DRAWING	

SIZE: A2 CAGE CODE: 00779 DRAWING NO: ©=1897717 RESTRICTED TO: -

SCALE: 2:1 SHEET 1 OF 1 REV A