

4

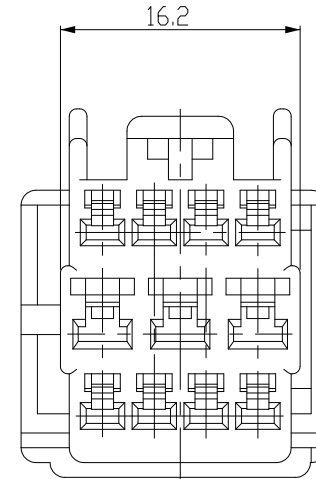
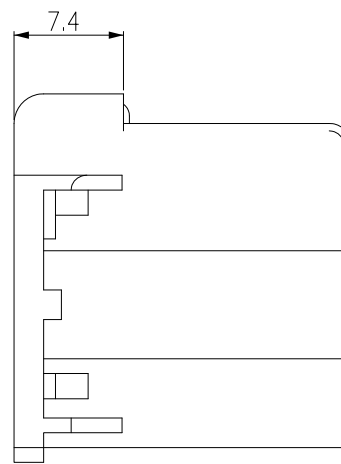
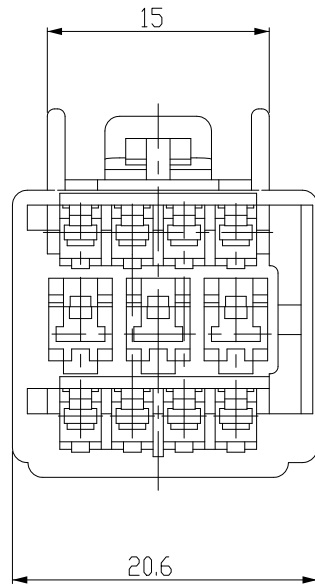
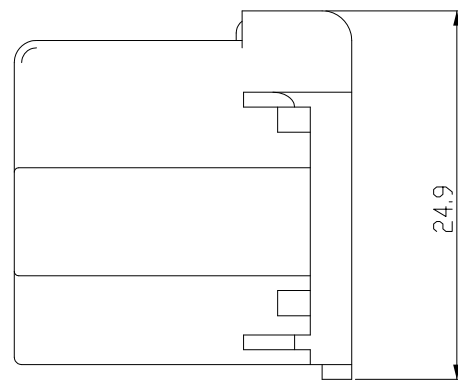
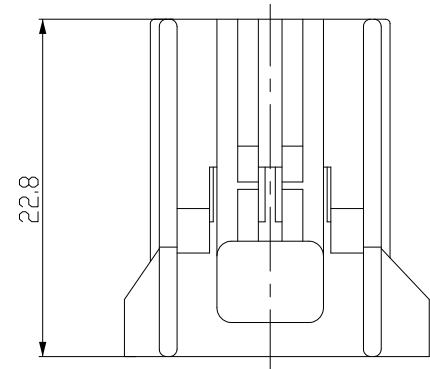
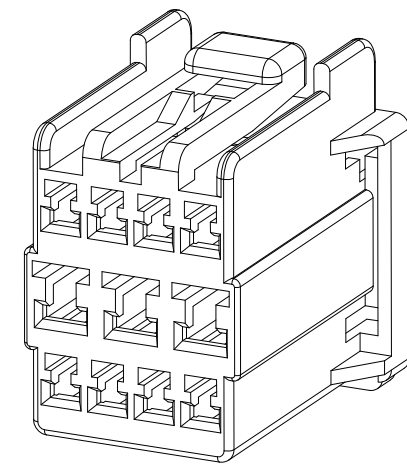
3

2

1

THIS DRAWING IS UNPUBLISHED. RELEASED FOR PUBLICATION
 © COPYRIGHT BY TYCO ELECTRONICS CORPORATION. ALL RIGHTS RESERVED.

LOC	DIST	REVISIONS			
P	LTR	DESCRIPTION	DATE	DWN	APVD
DS		RELEASED	13.OCT.'08	JY	HG



NOTE

1. GENERAL TOLERANCE:±0.3
2. APPLICABLE HSG P/NO : 85216
3. APPLICABLE CONTACT P/NO : 173630-1 / 173631-1
172773-1 / 172775-1
4. APPLICATION TEST SPEC : GMW-3191

YELLOW	PBT	0-1897699-5
COLOR	MATERIAL	P/N

THIS DRAWING IS A CONTROLLED DOCUMENT FOR TYCO ELECTRONICS CORPORATION IT IS SUBJECT TO CHANGE AND THE CONTROLLING ENGINEERING ORGANIZATION SHOULD BE CONTACTED FOR THE LATEST REVISION.		DWN JY BAE	AMP KOREA kyungsan, korea	
DIMENSIONS: MM		CHK YM CHOI		
TOLERANCES UNLESS OTHERWISE SPECIFIED:		APVD HG CHD	NAME PLUG HSG FOR 11P DOOR TO BODY CONN'R	
0 PLC ± 1 PLC ± 2 PLC ± 3 PLC ± 4 PLC ± ANGLES ±		PRODUCT SPEC	RESTRICTED TO	
3rd ANGLE PROJECTION		APPLICATION SPEC	SIZE A3	CAGE CODE 00079
MATERIAL SEE TABLE		WEIGHT	DRAWING NO 1897699	REV A
		CUSTOMER DRAWING	SCALE 2:1	SHEET 1 OF 1