

4

3

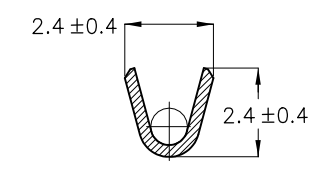
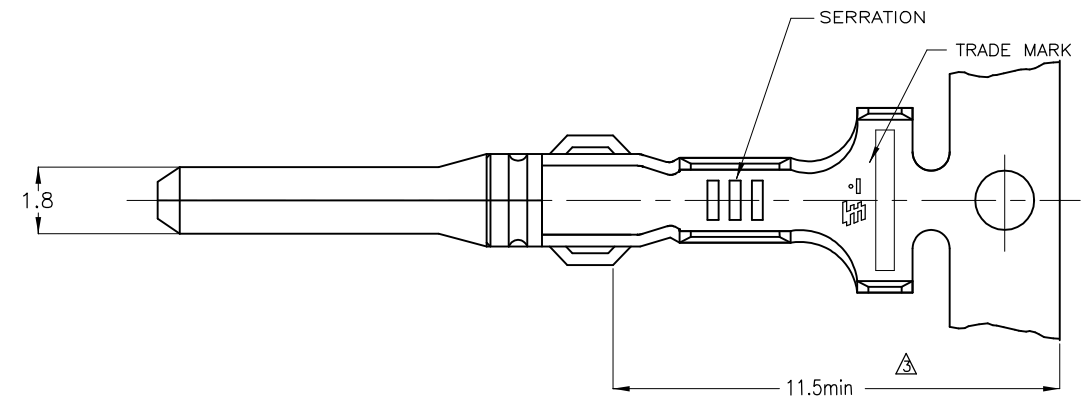
2

1

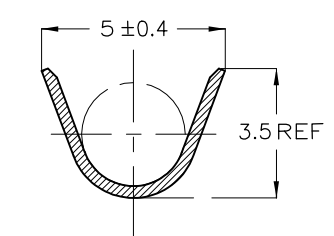
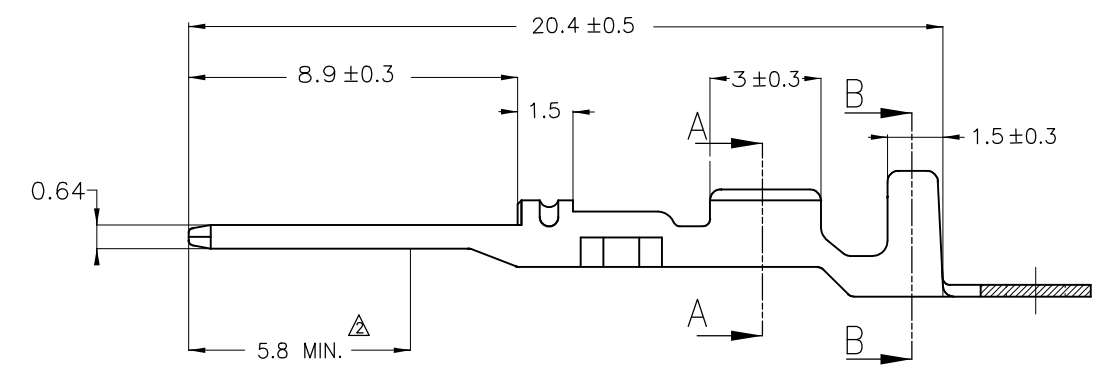
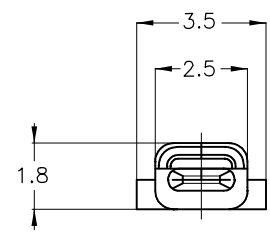
©

REVISIONS

P	LTR	DESCRIPTION	DATE	DWN	APVD
	A2	RELEASED (ECR-19-011725)	25.JUL.'19	JW	YG



A-A



B-B

NOTE

1 RECEPTACLE CONTACT : 171630

△ SELECTIVE GOLD PLATING

⊙ SELECTIVE TIN PLATING

SELECTIVE GOLD & TIN △△	BRASS 0.32	1897641-4
PRE-TIN (0.76 μm MIN)		1897641-1
FINISH	MATERIAL	PART NO

WIRE RANGE	INSULATION DIA
PTFE 0.5~0.75MM <sup>2</sup> (AWG #20)	1.4 ~ 1.9

THIS DRAWING IS A CONTROLLED DOCUMENT.		DWN YM LEE	<b>STE</b> TE Connectivity			
DIMENSIONS:		CHK YM CHOI				
TOLERANCES UNLESS OTHERWISE SPECIFIED:		APVD HG CHO	NAME ECONOSEAL J-MARKII+ CONNECTOR TAB CONTACT			
0 PLC ±		PRODUCT SPEC 108-61110				
1 PLC ±		APPLICATION SPEC 114-61018	SIZE	CAGE CODE	DRAWING NO	RESTRICTED TO
2 PLC ±		WEIGHT 0.35 g	A3		C- 1897641	-
3 PLC ±		CUSTOMER DRAWING	SCALE 5/1		SHEET 1 OF 1	REV A2
4 PLC ±						
ANGLES ±						
MATERIAL SEE TABLE	FINISH SEE TABLE					