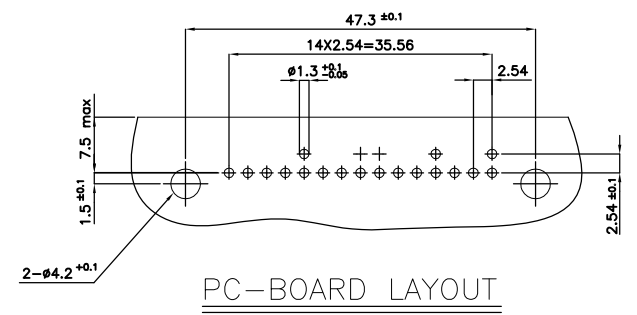
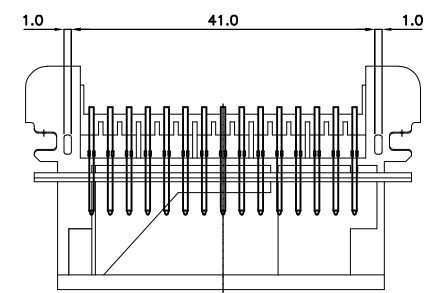
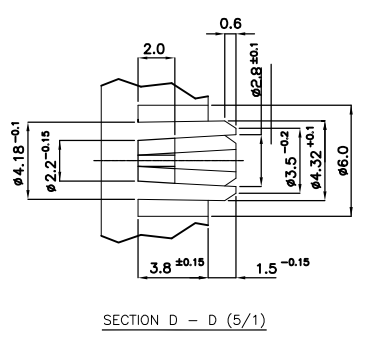
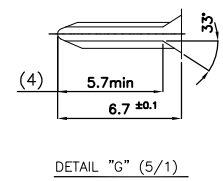
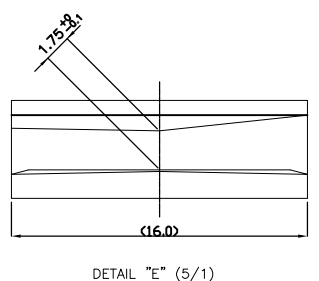
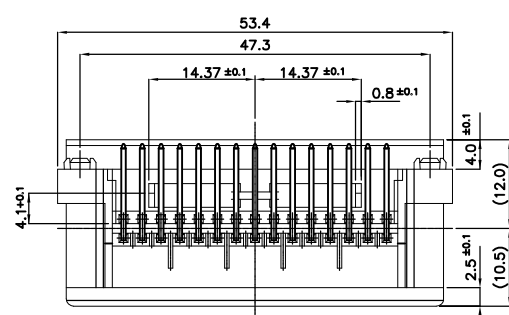
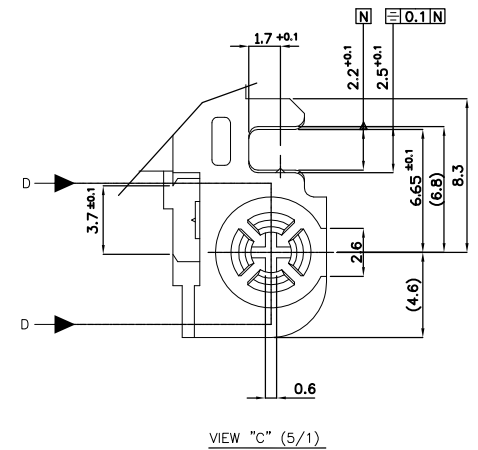
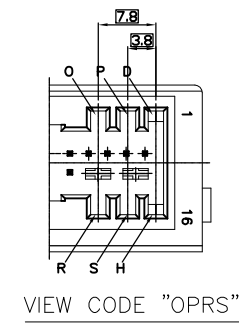
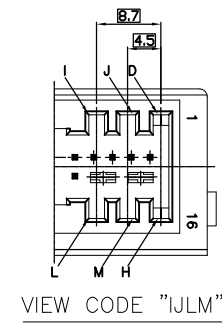
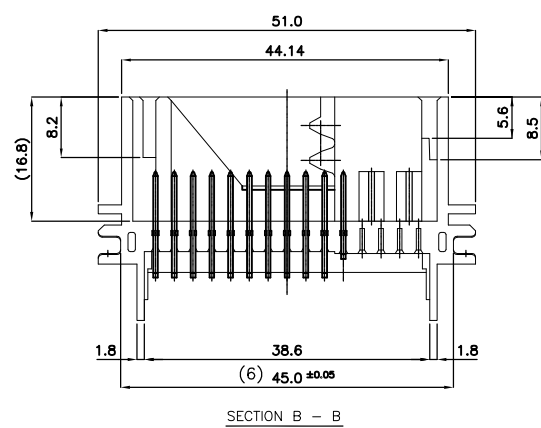
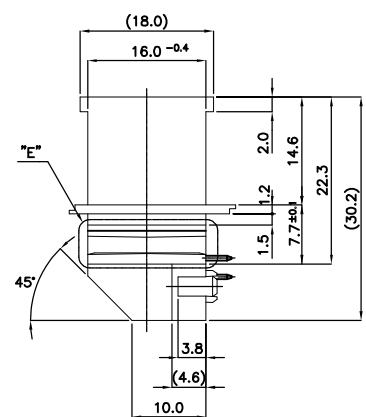
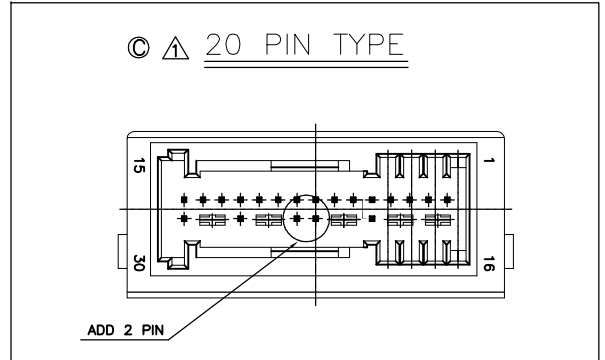
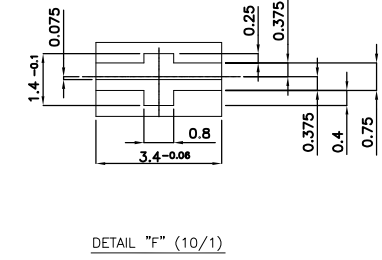
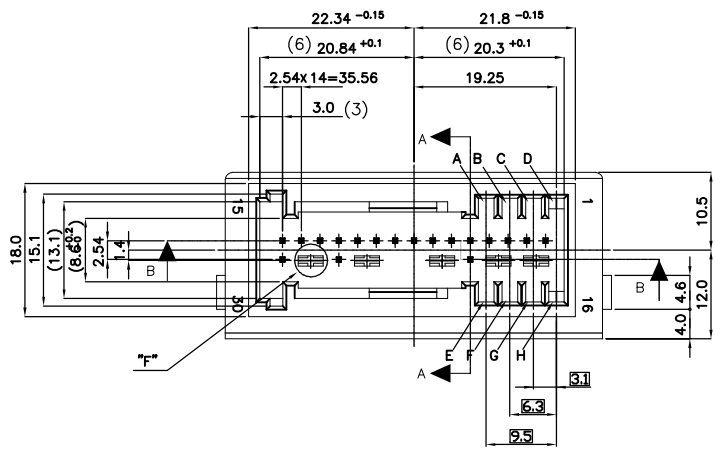
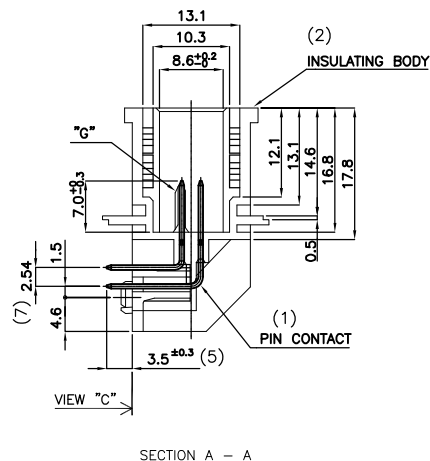


LOC		REVISIONS					
DS	DIST	P	LTR	DESCRIPTION	DATE	DWN	APVD
		A		RELEASED	11,JAN,'08	BH	JK
		B		REVISED (ECR-10-013184)	01,JUL,'10	SH	HG
		C		REVISED (ECR-10-024874)	03,DEC,'10	SH	HG



- NOTES
- PIN CONTACT ; □ 0.63
 - MATERIAL ; CuSn6
 - FINISH ; MATING AREA ; > 0.8um AU, UNDER 3±1um Ni
 SOLDERING AREA ; > 1~4um SnPlating, UNDER < 2±1um Ni
 Tin : 2.0~4.0um Pre-Tin Plated Over 1.27~2.2um Ni Plating
 - EJECTING FORCE IN DIRECTION OF CONNECTION (DETECTION AS SEPARATE OPERATION)
 - >25N bei V=25mm/min, AFTER SOLDERING STRESS
 - >40N bei V=100mm/min, ACCORDING TO VW-NORM 80101
 - ENVIRONMENTAL REQUIREMENTS ACCORDING TO TE SPEC 108-61007
 - ALL 18 KEYS REALIZEABLE THROUGH INSERTS
 - NO KOSHIRI-EFFECT BY ASSEMBLY FORCE < 50N
 - DRAWING KEY IS (D-H)
 - FREE OF LOOSE METAL PARTS
 - PIN CONNECTOR ; FREE OF CADMIUM (< 50ppm)
 - INSULATING BODY
 - MATERIAL ; PBT-GF30
 - COLOR ; CONSULT THE DRAWING
 - ALLOWED RECYCLED MATERIAL MAX 25%
 - IN THE AREA OF KOSHIRI FREE SPACE THERE IS UP TO +0.2 PERMISSIBLE
 - MATING AREA
 - SOLDERING AREA
 - MEASURED TO THE CENTER LINE OF THE INSULATING BODY
 - CONNECTIONS SUITABLE FOR HOLE DIAMETER 1.3, SEE PC-BOARD LAYOUT

DIMENSIONS: mm		TOLERANCES UNLESS OTHERWISE SPECIFIED:		DWN SH JANG		Tyco Electronics Kyungsan, Korea	
3rd ANGLE PROJECTION		0 XXXX10 ± 0.2 10XXXX30 ± 0.25 30XXXX ± 0.3 ANGLES ± 3°		CHK: KT LIM		NAME	
MATERIAL		FINISH		APVD: HG CHD		PRODUCT SPEC	
				APPLICATION SPEC		AIR BAG 30P HEADER CAP HOUSING ASS'Y	
				WEIGHT		SIZE CAGE CODE DRAWING NO RESTRICTED TO	
				CUSTOMER DRAWING		1 00779 C= 1897631	
				SCALE 2/1		SHEET 1 OF 2 REV C	

8

7

6

5

4

3

2

1

THIS DRAWING IS UNPUBLISHED. RELEASED FOR PUBLICATION
 © COPYRIGHT BY TYCO ELECTRONICS CORPORATION ALL RIGHTS RESERVED.

LOC		DIST		REVISIONS			
DS	-	P	LTR	DESCRIPTION	DATE	DWN	APVD
SEC 1 OF 2 SHEETS							

D

D

C






C

B

B

A

A

1897631-5	C-H	Traffic Yellow (RAL 1023)				△ 20P
1897631-4	O-M	Traffic Red (RAL 3020)				18P
1897631-3	P-F	Header Violet (RAL 4003)				18P
1897631-2	P-R	Oliver Grey (RAL 7002)				18P
1897631-1	DUMMY	Ocean Blue (RAL 5020)				18P
P/N	CODING	C O L O R		SUBJECT NO.	APPLICATION	PIN TYPE

<small>THE DRAWING IS UNPUBLISHED FOR THE ELECTRONICS CORPORATION IF IT IS MARKED WITH THIS SYMBOL, THE INFORMATION CONTAINED HEREIN IS UNCLASSIFIED FOR THE LATEST REVISION.</small>		DWN	
<small>IF IT IS MARKED WITH THIS SYMBOL, THE INFORMATION CONTAINED HEREIN IS UNCLASSIFIED FOR THE LATEST REVISION.</small>		CHK	
<small>IF IT IS MARKED WITH THIS SYMBOL, THE INFORMATION CONTAINED HEREIN IS UNCLASSIFIED FOR THE LATEST REVISION.</small>		APVD	
<small>IF IT IS MARKED WITH THIS SYMBOL, THE INFORMATION CONTAINED HEREIN IS UNCLASSIFIED FOR THE LATEST REVISION.</small>		PRODUCT SPEC	
<small>IF IT IS MARKED WITH THIS SYMBOL, THE INFORMATION CONTAINED HEREIN IS UNCLASSIFIED FOR THE LATEST REVISION.</small>		APPLICATION SPEC	
<small>IF IT IS MARKED WITH THIS SYMBOL, THE INFORMATION CONTAINED HEREIN IS UNCLASSIFIED FOR THE LATEST REVISION.</small>		WEIGHT	
<small>IF IT IS MARKED WITH THIS SYMBOL, THE INFORMATION CONTAINED HEREIN IS UNCLASSIFIED FOR THE LATEST REVISION.</small>		RESTRICTED TO	
<small>IF IT IS MARKED WITH THIS SYMBOL, THE INFORMATION CONTAINED HEREIN IS UNCLASSIFIED FOR THE LATEST REVISION.</small>		SCALE	2/1
<small>IF IT IS MARKED WITH THIS SYMBOL, THE INFORMATION CONTAINED HEREIN IS UNCLASSIFIED FOR THE LATEST REVISION.</small>		SHEET	2 OF 2
<small>IF IT IS MARKED WITH THIS SYMBOL, THE INFORMATION CONTAINED HEREIN IS UNCLASSIFIED FOR THE LATEST REVISION.</small>		REV	C