

4

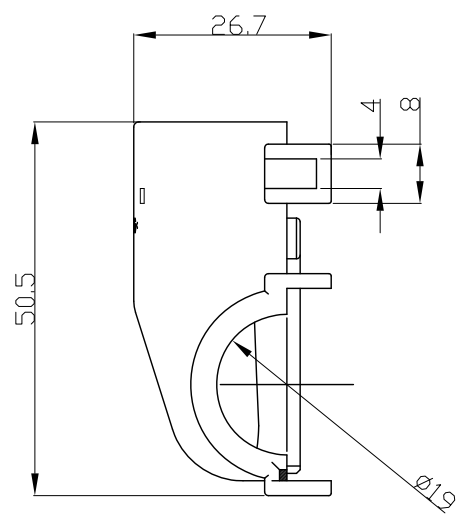
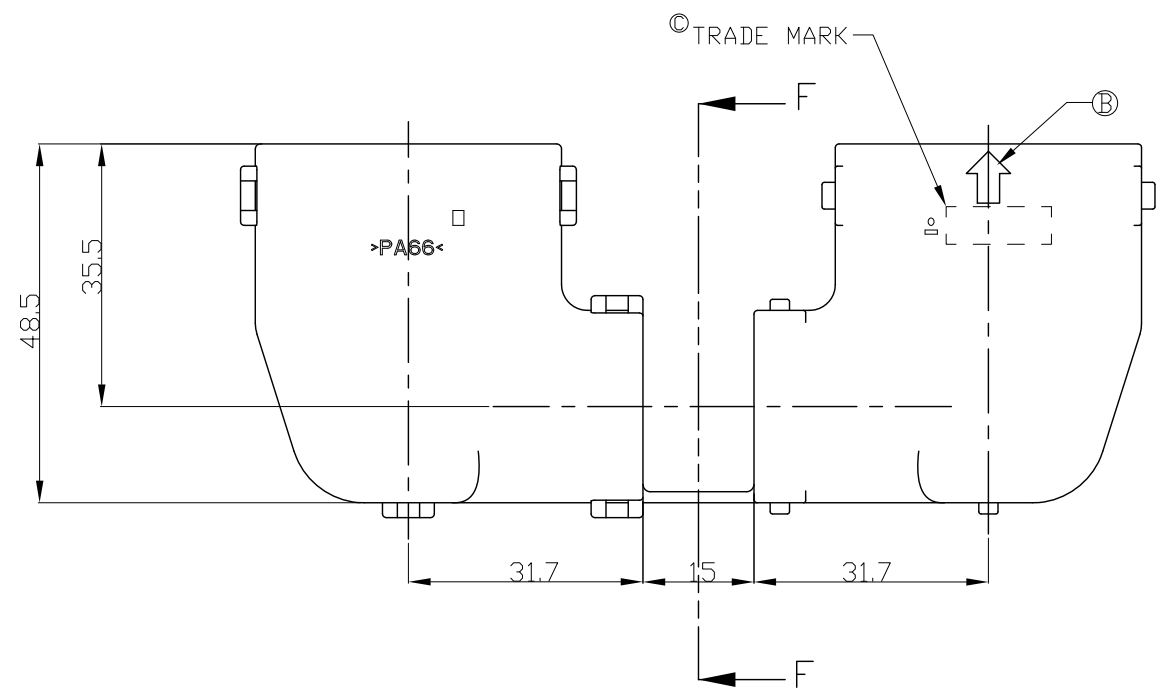
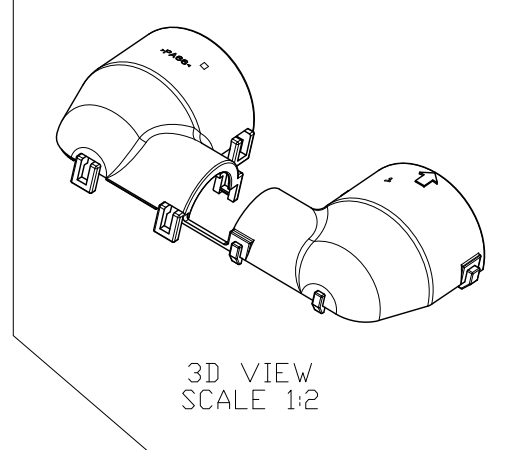
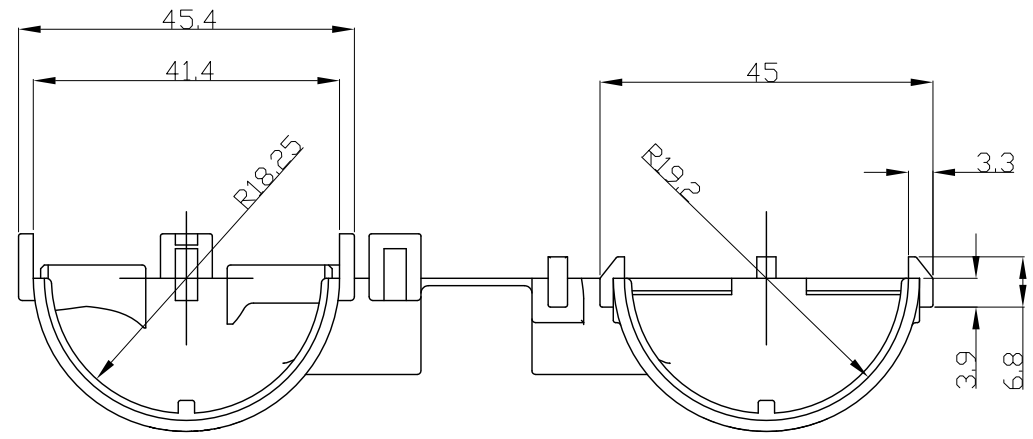
3

2

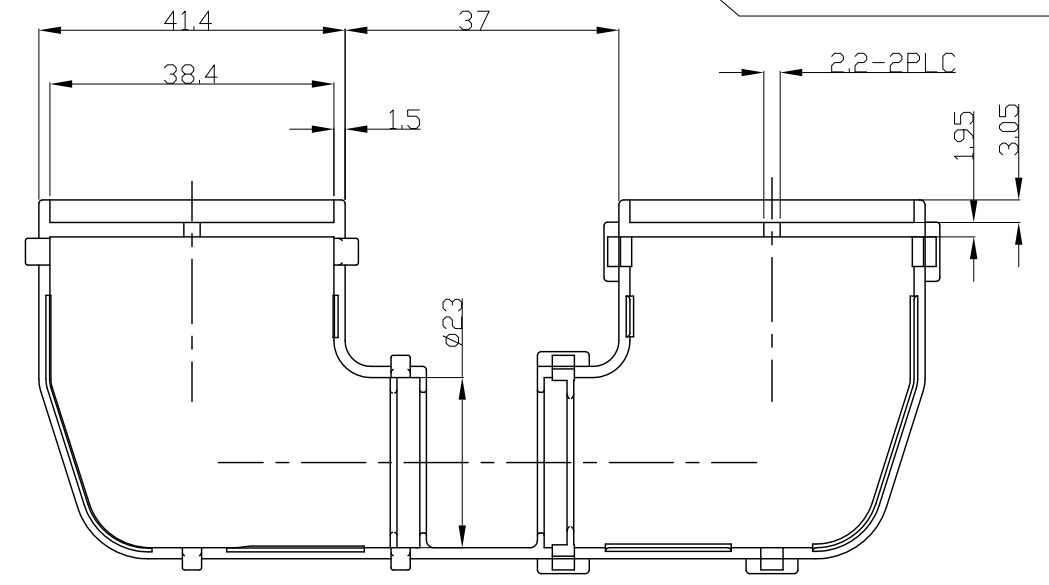
1

THIS DRAWING IS UNPUBLISHED. RELEASED FOR PUBLICATION  
© COPYRIGHT BY TYCO ELECTRONICS CORPORATION, ALL RIGHTS RESERVED.

LOC	DIST	REVISIONS					
		P	LTR	DESCRIPTION	DATE	DWN	APVD
DS	-		B	REVISED (ECR-08-000864)	05.MAR.'08	KT	HG
			C	REVISED (ECR-10-026443)	29.DEC.'10	SJ	HG



SECTION F-F



NOTE

1. 사용상 유해한 흠, 모서리 등의 결함이 없을 것.
2. 관련 CONNECTOR 및 TUBE와 결합시 결합성이 양호하며, 결합후 유격, NOISE 등이 발생하지 않을 것.
3. MATCHING CONNECTOR: 91207-82000
4. 적용 CORRUGATE TUBE: 15V (SCHLEMMER)
5. 명시하지 않은 일반 공차는 ES02514의 2급을 따를 것.

BLACK	PA66	WIRE COVER	1897266-2
COLOR	MATERIAL	DESCRIPTION	P/N

THIS DRAWING IS A CONTROLLED DOCUMENT FOR TYCO ELECTRONICS CORPORATION IT IS SUBJECT TO CHANGE AND THE CONTROLLING ENGINEERING ORGANIZATION SHOULD BE CONTACTED FOR THE LATEST REVISION.

DIMENSIONS: MM	TOLERANCES UNLESS OTHERWISE SPECIFIED:
	0 PLC ±
	1 PLC ±
	2 PLC ±
	3 PLC ±
	4 PLC ±
	ANGLES ±
MATERIAL SEE TABLE	FINISH

DWN  
SJ CHOI  
CHK  
JW JUNG  
APVD  
HG CHO  
PRODUCT SPEC -  
APPLICATION SPEC -  
WEIGHT -

NAME  
**TE** TE Connectivity  
WIRE COVER

SIZE CAGE CODE DRAWING NO RESTRICTED TO  
A3 00779 C-1897266 -

CUSTOMER DRAWING SCALE 1/1 SHEET 1 OF 1 REV C