

4

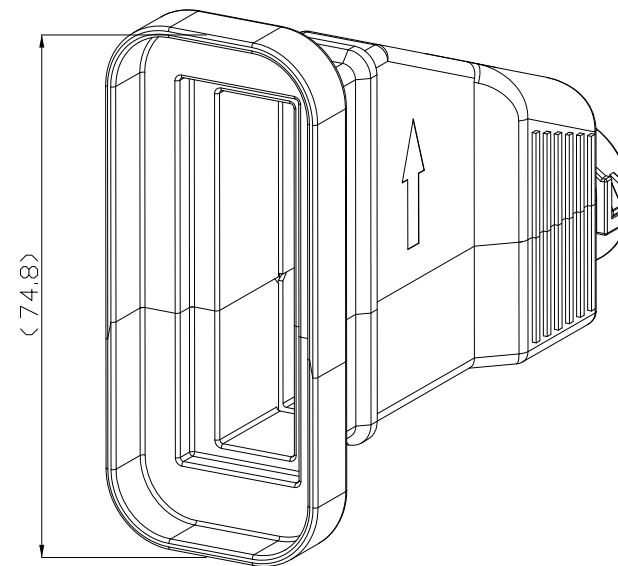
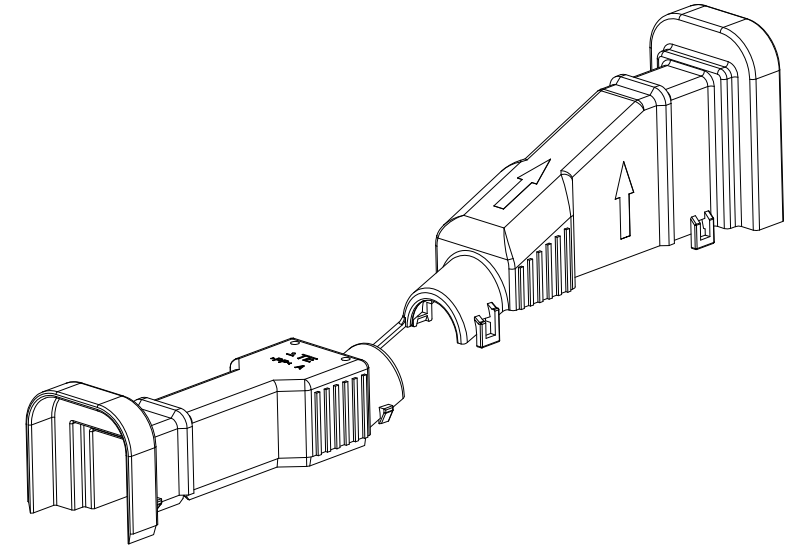
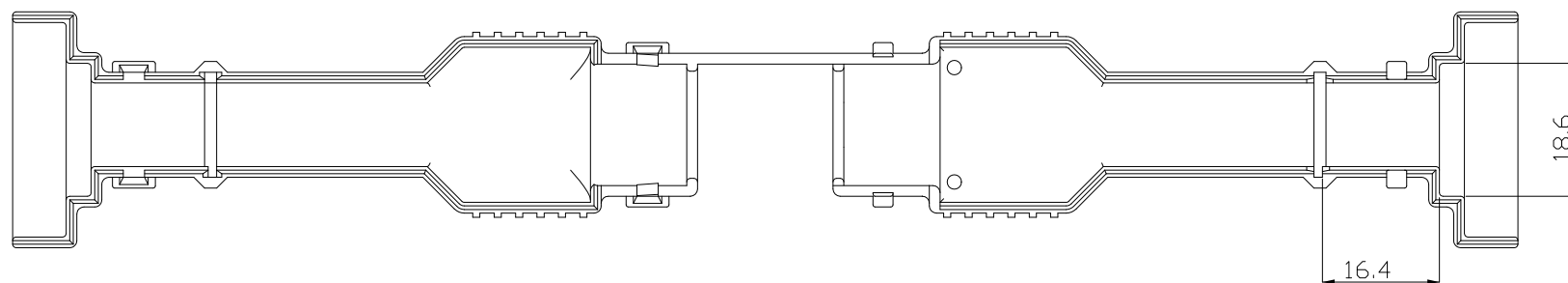
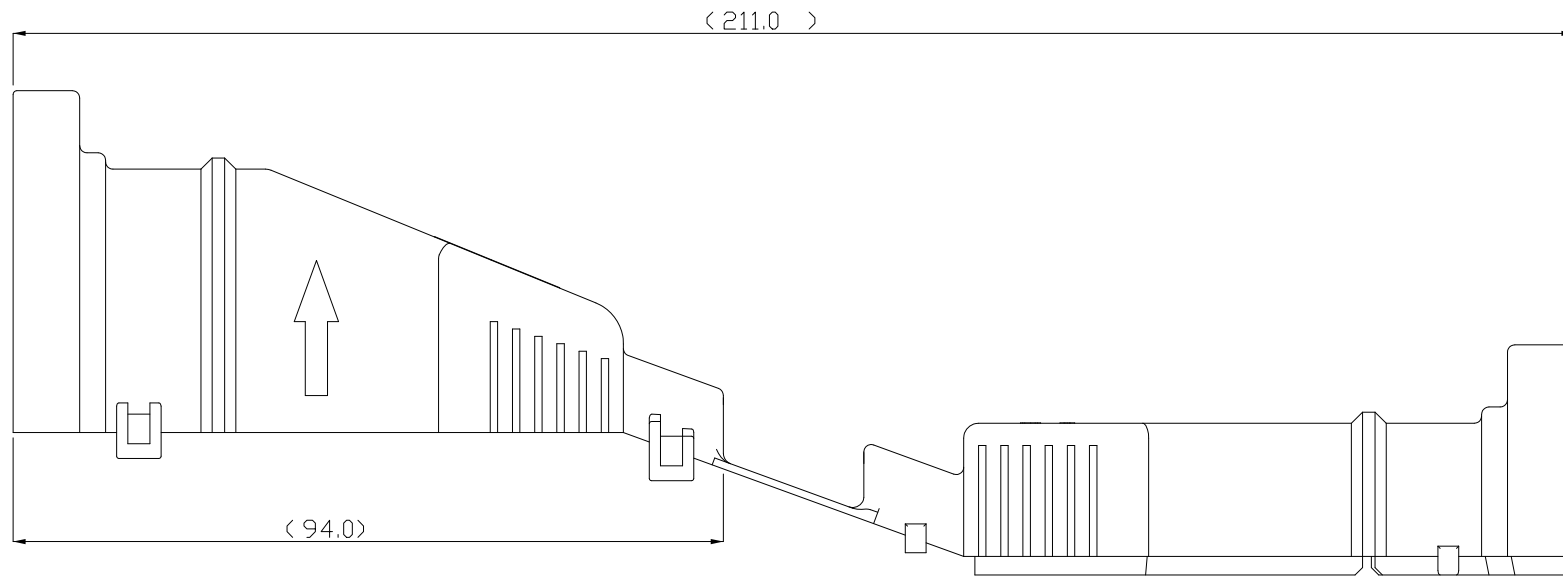
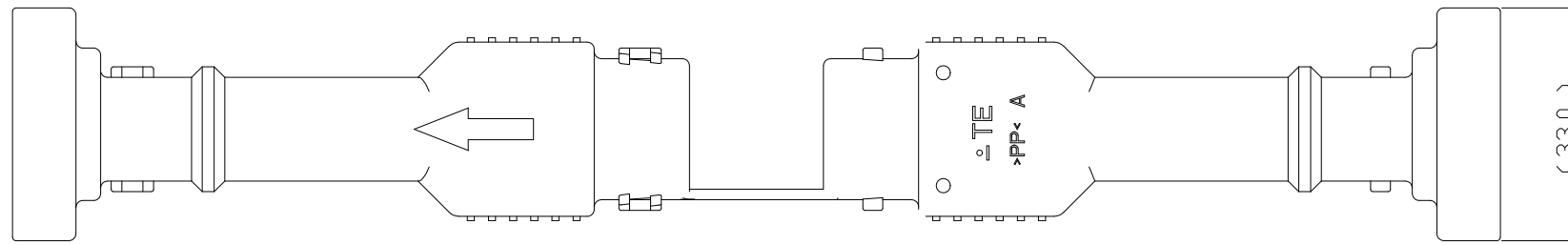
3

2

1

THIS DRAWING IS UNPUBLISHED. RELEASED FOR PUBLICATION 20
© COPYRIGHT 20 BY TYCO ELECTRONICS CORPORATION. ALL RIGHTS RESERVED.

LOC	DIST	REVISIONS			
P	LTR	DESCRIPTION	DATE	DWN	APVD
DS	-				
	A	RELEASED	22.JAN.'08	GC	JK
	B	REVISED(ECR-08-032199)	21.APR.'08	GC	JK



NOTE :
 1. GENERAL TOLERANCE : ±0.3, ±3.0°
 2. APPLIED CONNECTOR ASS'Y : 1897223
 3. CORRUGATE TUBE : NOT APPLICABLE
 4. WIRE HOLE SIZE : Ø15.0 REF.
 5. APPLICATION TEST SPEC
 -MS210-12 [EXT-2] (EXCEPT 4.4)

PART NO.	REV.	DESCRIPTION	MATERIAL	COLOR
0-1897227-2	A	COVER FOR AM	PP	BLACK

THIS DRAWING IS A CONTROLLED DOCUMENT FOR TYCO ELECTRONICS CORPORATION IT IS SUBJECT TO CHANGE AND THE CONTROLLING ENGINEERING ORGANIZATION SHOULD BE CONTACTED FOR THE LATEST REVISION.		DWN GC KWON	21APR2008		Tyco Electronics. kyungsan, korea	
DIMENSIONS: mm		TOLERANCES UNLESS OTHERWISE SPECIFIED		NAME		
0 PLC ±-		1 PLC ±0.5		-		
2 PLC ±0.13		3 PLC ±0.013		-		
4 PLC ±0.0001		ANGLES ±-		-		
MATERIAL -		FINISH -		PRODUCT SPEC	COVER FOR HYB(040/090) DOOR 30P(AM)	
				APPLICATION SPEC	-	
				WEIGHT	SIZE	RESTRICTED TO
					A300779	-
				CUSTOMER DRAWING	C=1897227	
				SCALE	SHEET	REV
				1:1	1 OF 1	B