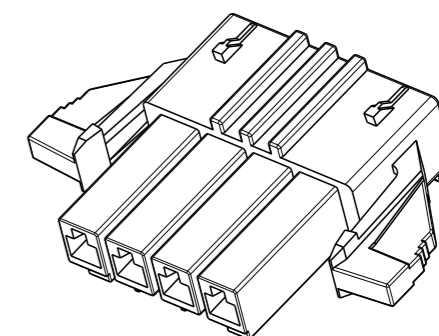
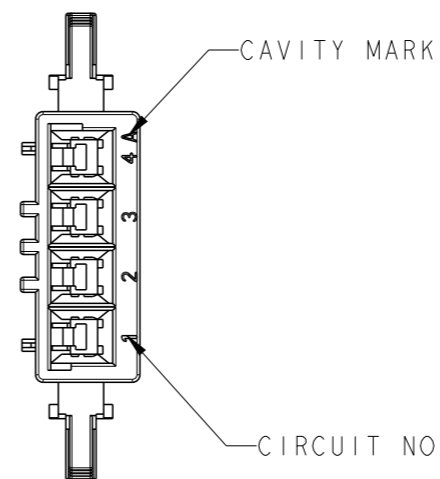
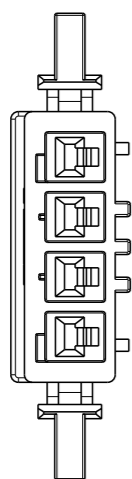
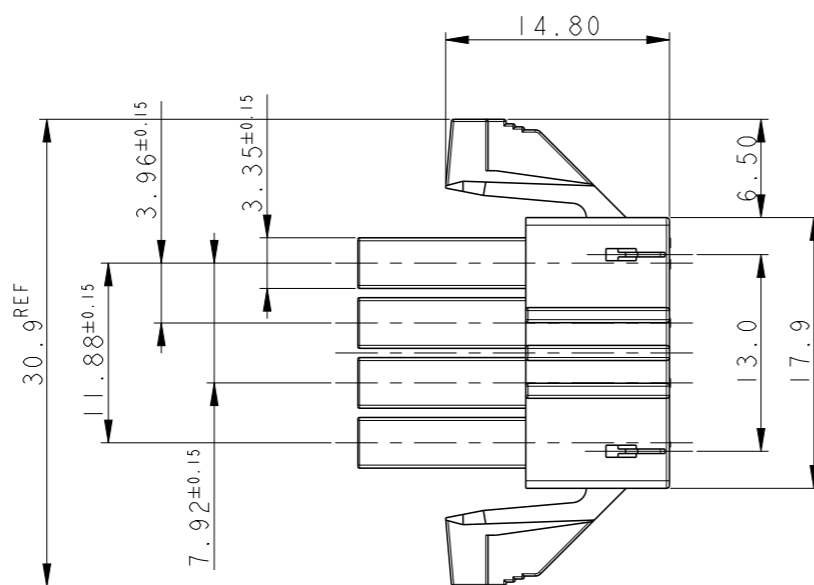
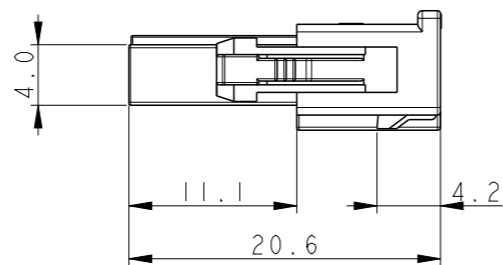


REVISIONS

P	LTR	DESCRIPTION	DATE	DWN	APVD
	A4	REVISED PER ECR-19-005534	10MAY2019	SC	BH



SCALE 2:1



NOTES

- 1. APPLICABLE HEADER ASSY: 1897005-X
- 2. APPLICABLE TERMINALS: 177914-X 177915-X, 1743728-X, 1743729-X
- 3. APPLICABLE TPA: 1897008-X

PA66, UL94 V-0, GWIT 775°C, GWT 750°C	NATURAL	1-1897007-1
PA66, UL94 V-0	NATURAL	1897007-1
MATERIAL	COLOR	P/N

THIS DRAWING IS A CONTROLLED DOCUMENT.	
DIMENSIONS: mm	TOLERANCES UNLESS OTHERWISE SPECIFIED:
	0 PLC ±- 1 PLC ±- 2 PLC ±- ±0.25 3 PLC ±- 4 PLC ±- ANGLES ±- FINISH -
MATERIAL SEE TABLE	

DWN BH CHO	TE Connectivity		
CHK -			
APVD BW KANG	NAME HALL SENSOR 4P PLUG HSG		
PRODUCT SPEC 108-61086	SIZE A3	CAGE CODE 00779	DRAWING NO C-1897007
APPLICATION SPEC -	RESTRICTED TO -		SCALE 2:1
WEIGHT -	SHEET 1 OF 1		REV A4
CUSTOMER DRAWING			