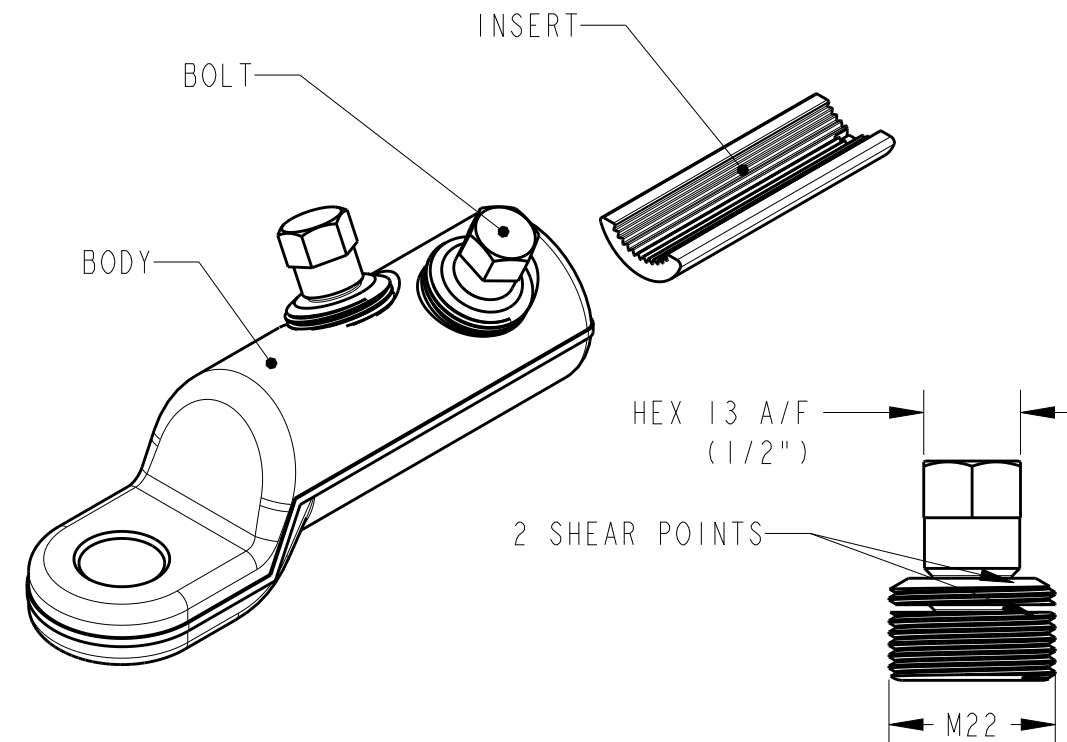
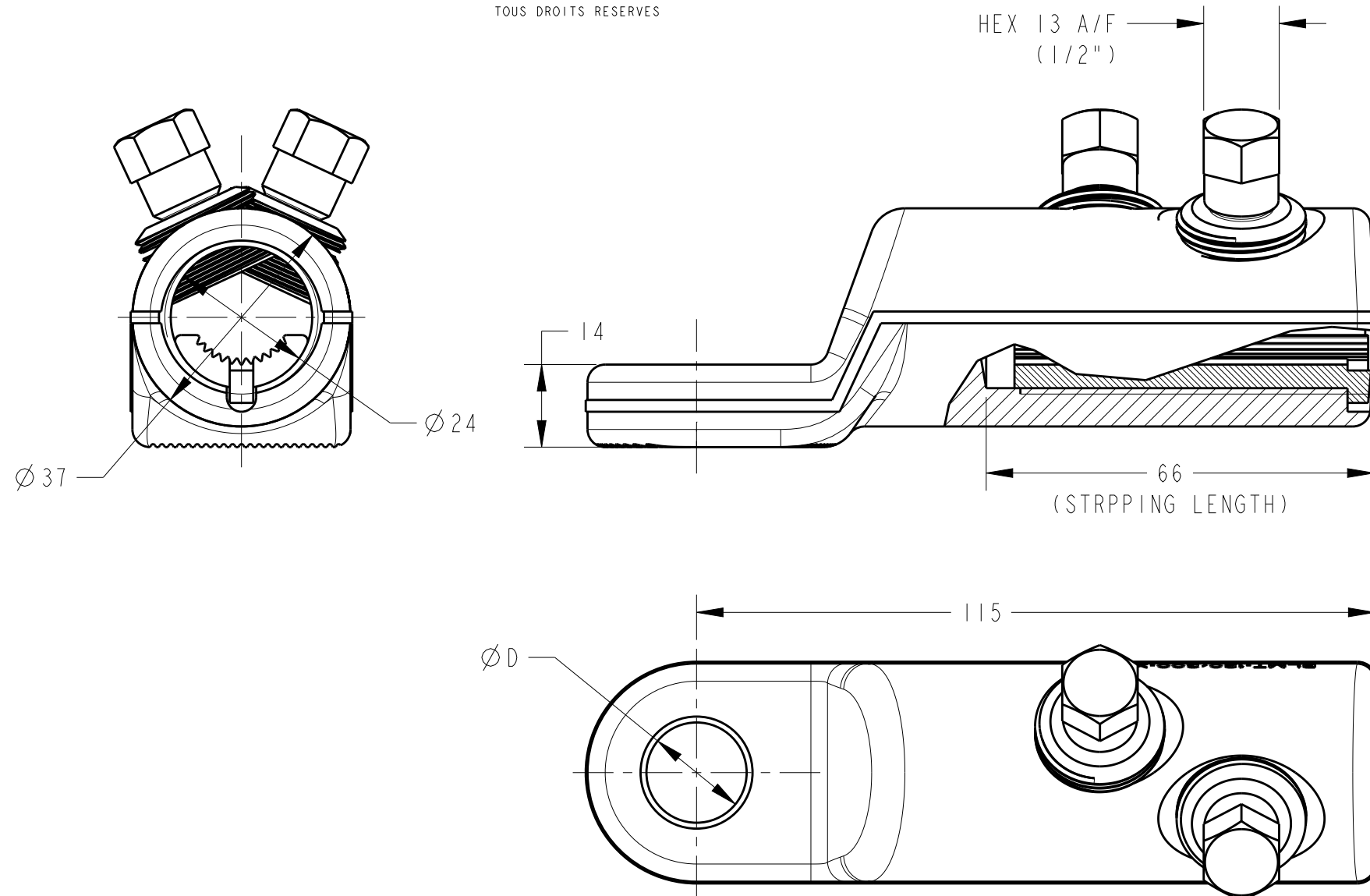
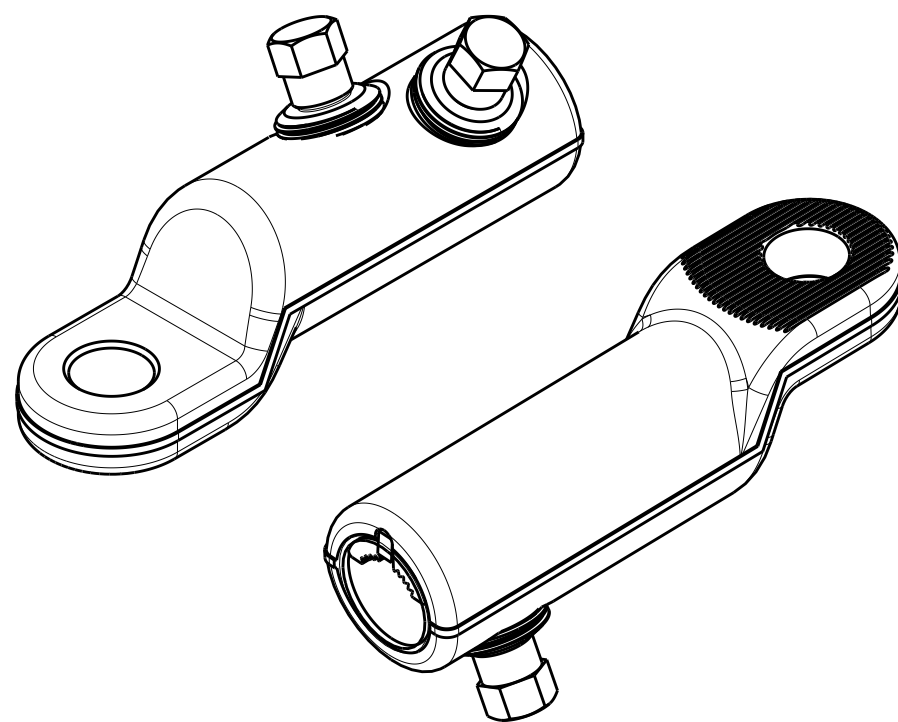


P	LTR REV	DESCRIPTION MODIFICATIONS	DATE	DWN DESS.	APVD APP.
	B	ADDITIONAL PRODUCT	02MAR2007	RB	NA
	C	DELETE PRODUCT	12FEB2008	BM	NA
	D	ECR-15-0013835 BODY CHAMPERS UPDATE	12FEB2016	BM	NA
	E	HEAD REDUCES TO 13	18MAR2020	NB	AG



BLMT-120/300-17	17	E26422-000
BLMT-120/300-13	13	F62708-000
DESCRIPTION	ØD	TCPN

	AL				CU		
	RM ROUND STRANDED	RE ROUND SOLID	SM SECTOR STRANDED	SE SECTOR SOLID	RM ROUND STRANDED	SM SECTOR STRANDED	ROUND FLEXIBLE /CIRC. SOUPLE
CONDUCTOR CROSS-SECTION QUERSCHNITTSBEREICH mm ²	120-300	150-300	120-185 (240 with rounding) (240 gerundet)	120-240	120-300	120-185 (240 with rounding) (240 gerundet)	240-300 (CLASS 5) 450KCMIL
CONDUCTOR DIAMETER LEITERDURCHMESSER mm	Ø12.7-Ø23.1	Ø12.9-Ø19.8	-	-	Ø12.7-Ø22.6	-	Ø20-Ø23,5



TOLERANCES UNLESS OTHERWISE SPECIFIED
TOLERANCES NON SPECIFIEES: -

THIS DRAWING IS A CONTROLLED DOCUMENT. CE PLAN EST UN DOCUMENT CONTROLE PAR TYCO ELECTRONICS CORPORATION IL EST SUSCEPTIBLE D'ETRE REVISE. CONTACTER LE SERVICE TECHNIQUE POUR OBTENIR LA DERNIERE REVISION.		DWN/DESSINE B. PELTIER 08MAY2020			RESTRICTED TO RESERVE A
DIMENSIONS: mm		CHK/VERIFIE A. GUICHARD 08MAY2020			
TOLERANCES UNLESS OTHERWISE SPECIFIED TOLERANCES NON SPECIFIEES (SUIV NB DE DECIMALES): 0 PLC/DEC: ±0 1 PLC/DEC: ±0 2 PLC/DEC: ±0 3 PLC/DEC: ±0 4 PLC/DEC: ±0 ANGLES ±		APVD/APPROUVE N. ALMEIDA 08MAY2020	NAME/TITRE BLMT-120/300-..		CAGE CODE 00779
MATERIAL/MATIERE Al Alloy material_2		PRODUCT SPEC SPEC. PRODUIT -	DRAWING NO No PLAN C=1895559		
FINISH/FINITION Tinned finish_spec_2		APPLICATION SPEC SPEC. APPLICATION -	UNIQUEMENT POUR REFERENCE		REV E
WEIGHT/MASSE APPROX. 271g		SIZE/FORMAT A3	SHEET/FEUILLE		OF/DE
CUSTOMER DRAWING /PLAN CLIENT		UNIQUEMENT POUR REFERENCE		SCALE/Echelle 1:1	