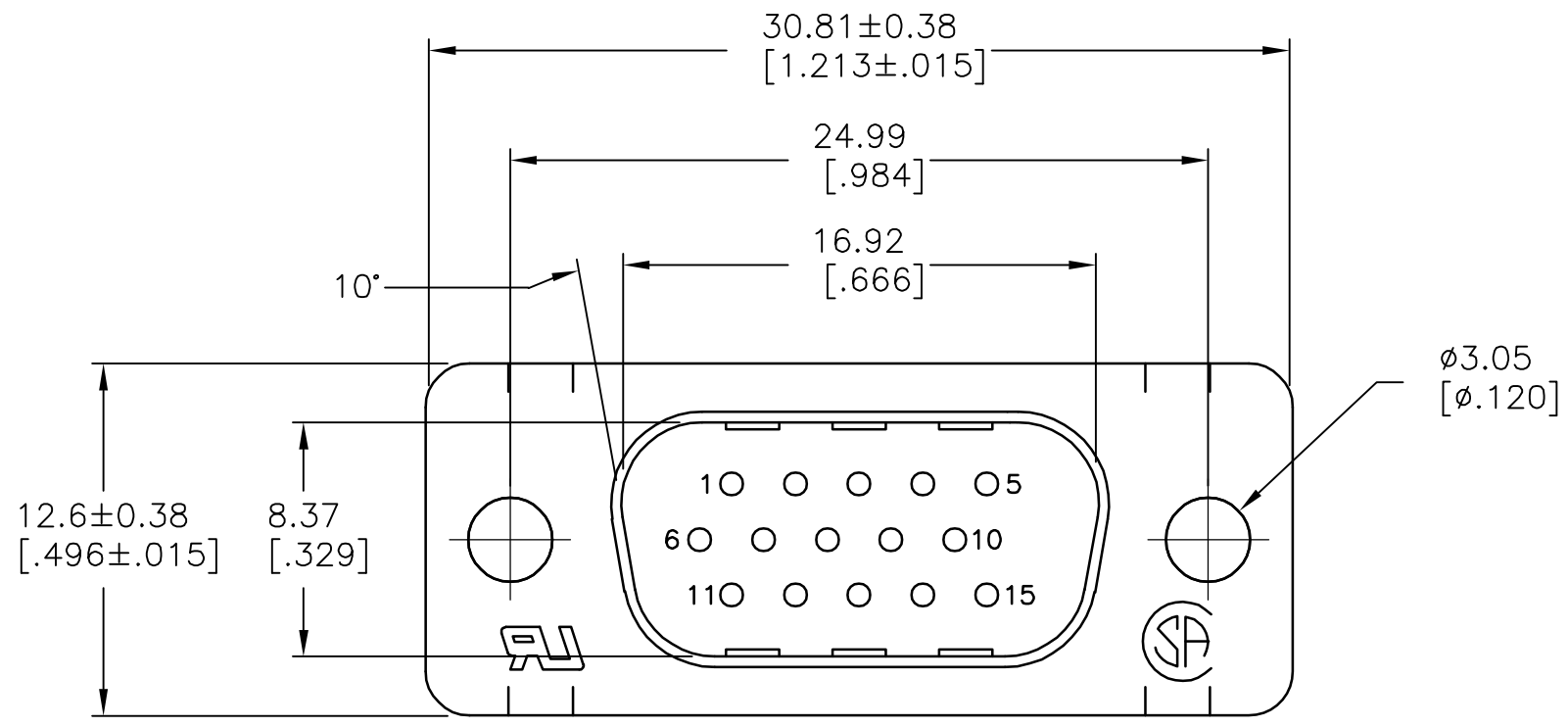
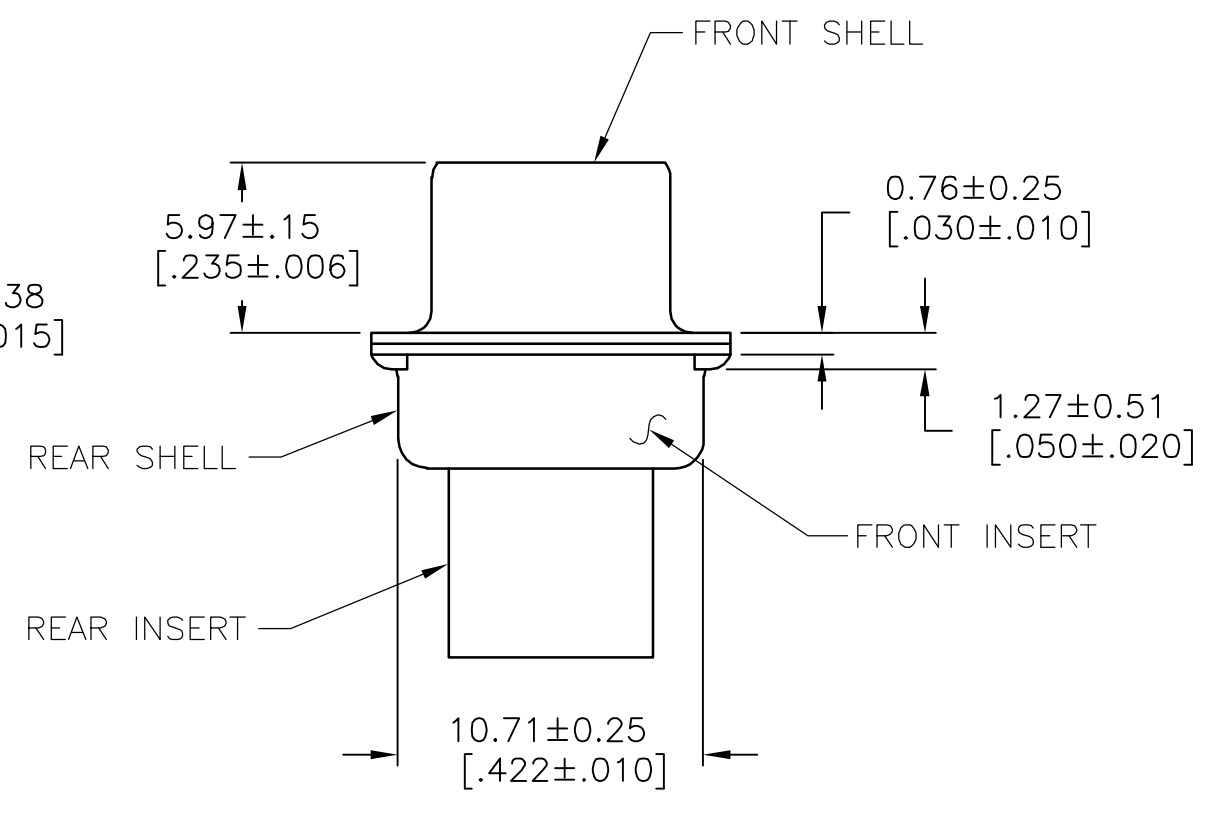
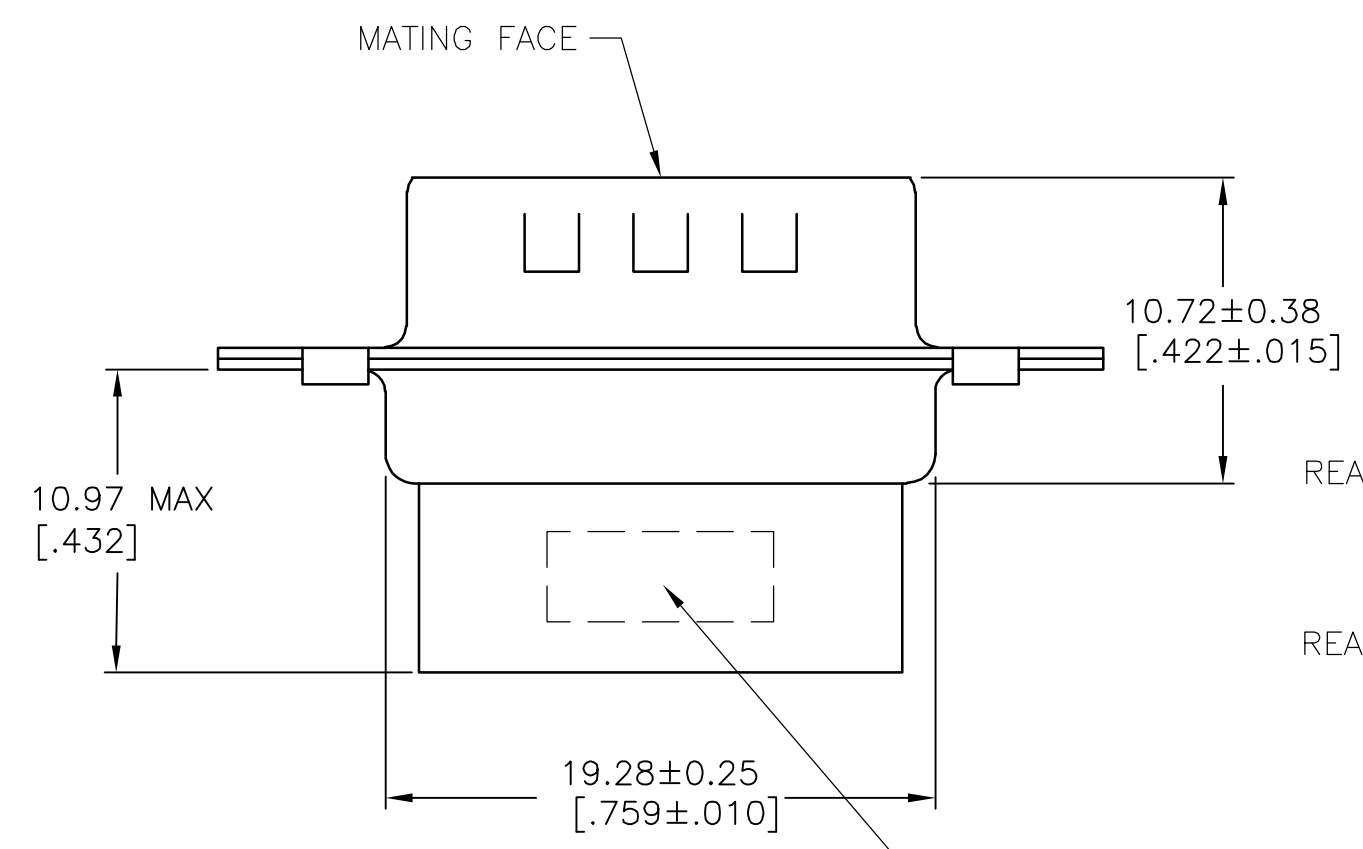


THIS DRAWING IS UNPUBLISHED. RELEASED FOR PUBLICATION
 © COPYRIGHT 2006 BY TYCO ELECTRONICS CORPORATION. ALL RIGHTS RESERVED.

LOC	DIST	REVISIONS			
P	LTR	DESCRIPTION	DATE	DWN	APVD
GP	00	A	RELEASED PER PPR 099-05	27MAR06	JG CR



- 1. INSERTS: FLAME RETARDANT GLASS FILLED NYLON, UL94V-0 RATED, COLOR BLACK.
SHELLS: CARBON STEEL.
- 2. SHELLS: 0.00254[.000100] MIN TIN OVER 0.00051[.000020] MIN NICKEL OVER 0.00254[.000100] MIN COPPER.
- 3. CONNECTOR ACCEPTS SIZE 22 DF PIN CONTACTS. RETENTION TINES ARE AN INTEGRAL PART OF INSERT.



TYCO, PART NO & DATE CODE, MARKED IN AREA INDICATED ON FAR SIDE

1888306-1
PART NUMBER

THIS DRAWING IS A CONTROLLED DOCUMENT.		DWN J.GERACE 28MAR06		Tyco Electronics Corporation Harrisburg, Pa 17105-3608	
DIMENSIONS: mm[INCHES]		CHK C.ROHDE 27AMR06		PLUG CONNECTOR, SIZE 1, 15 POS, AMPLIMITE HDP-22	
TOLERANCES UNLESS OTHERWISE SPECIFIED:		APVD M.WALMSLEY 27MAR06	NAME		
0 PLC ± -		PRODUCT SPEC			
1 PLC ± -		108-1268			
2 PLC ± -		APPLICATION SPEC			
3 PLC ± 0.13[.005]		114-10001			
4 PLC ± - ± 2'		SIZE CAGE CODE DRAWING NO RESTRICTED TO			
MATERIAL	FINISH	WEIGHT	A2	00779	1888306
1	2	CUSTOMER DRAWING	SCALE 4:1	SHEET 1 OF 1	REV A

1888306