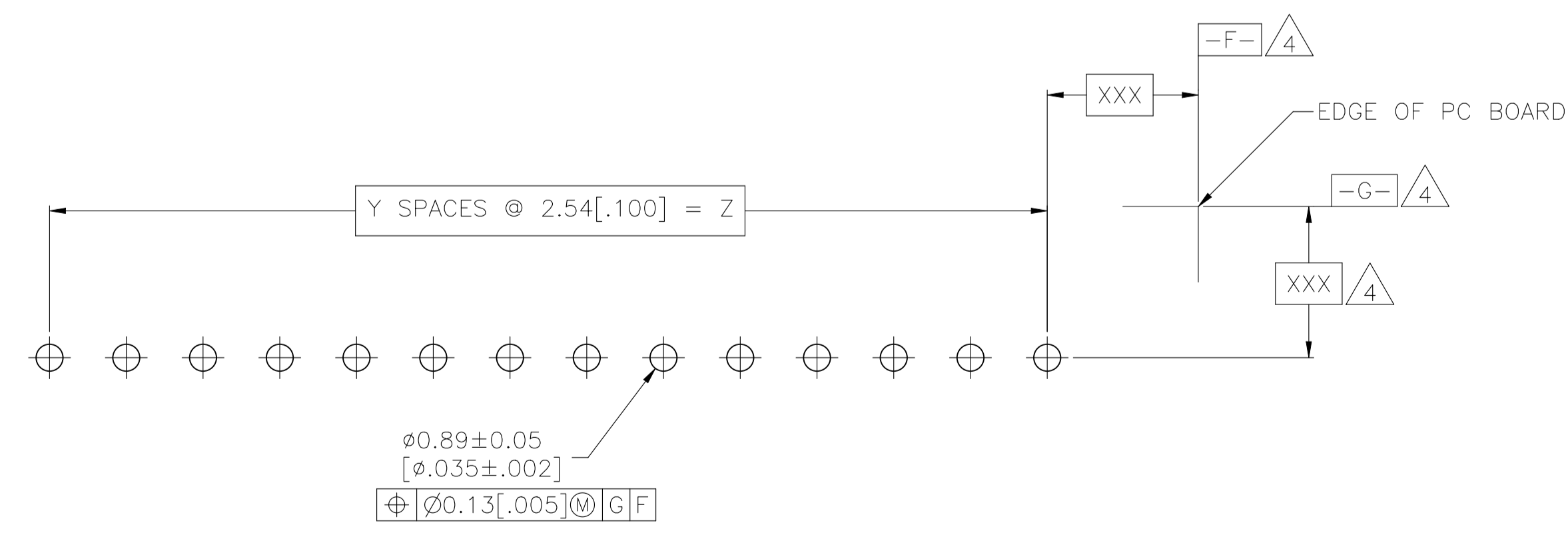
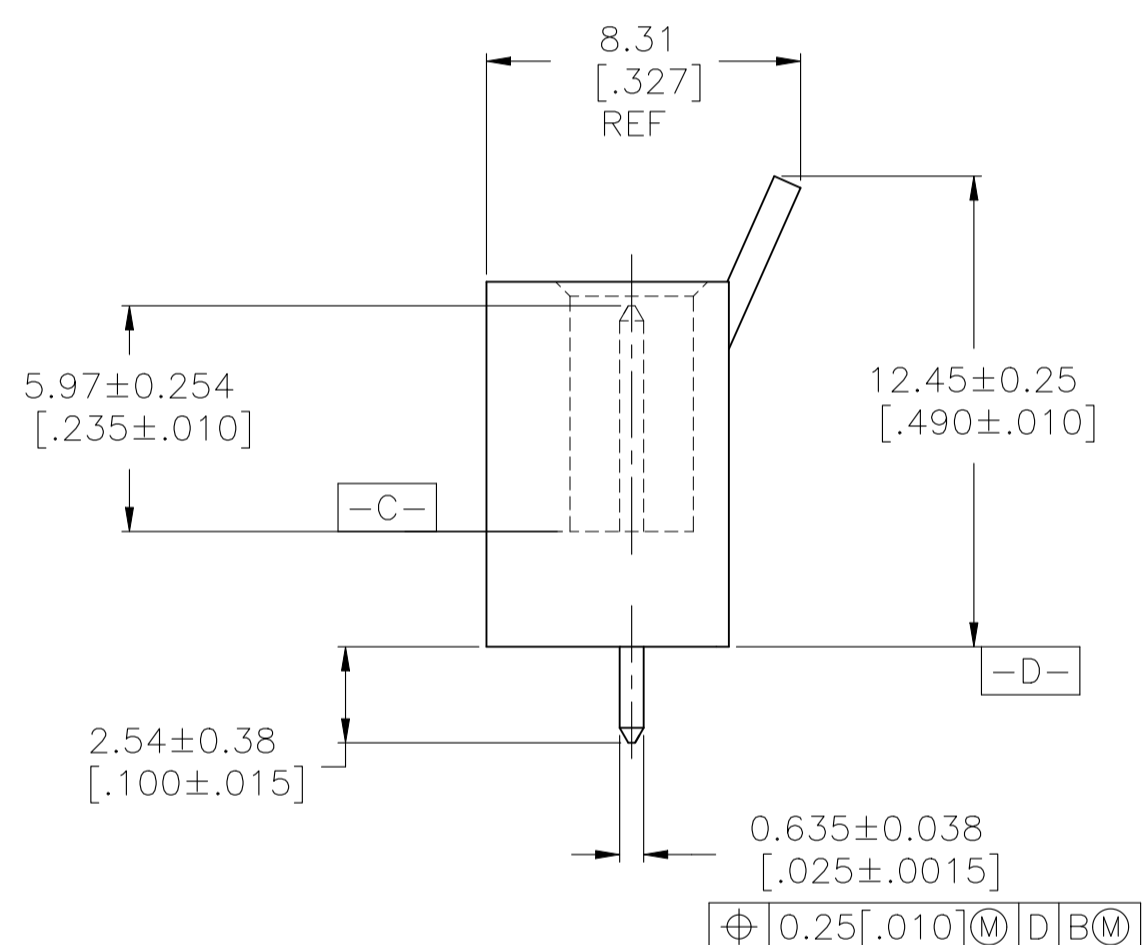
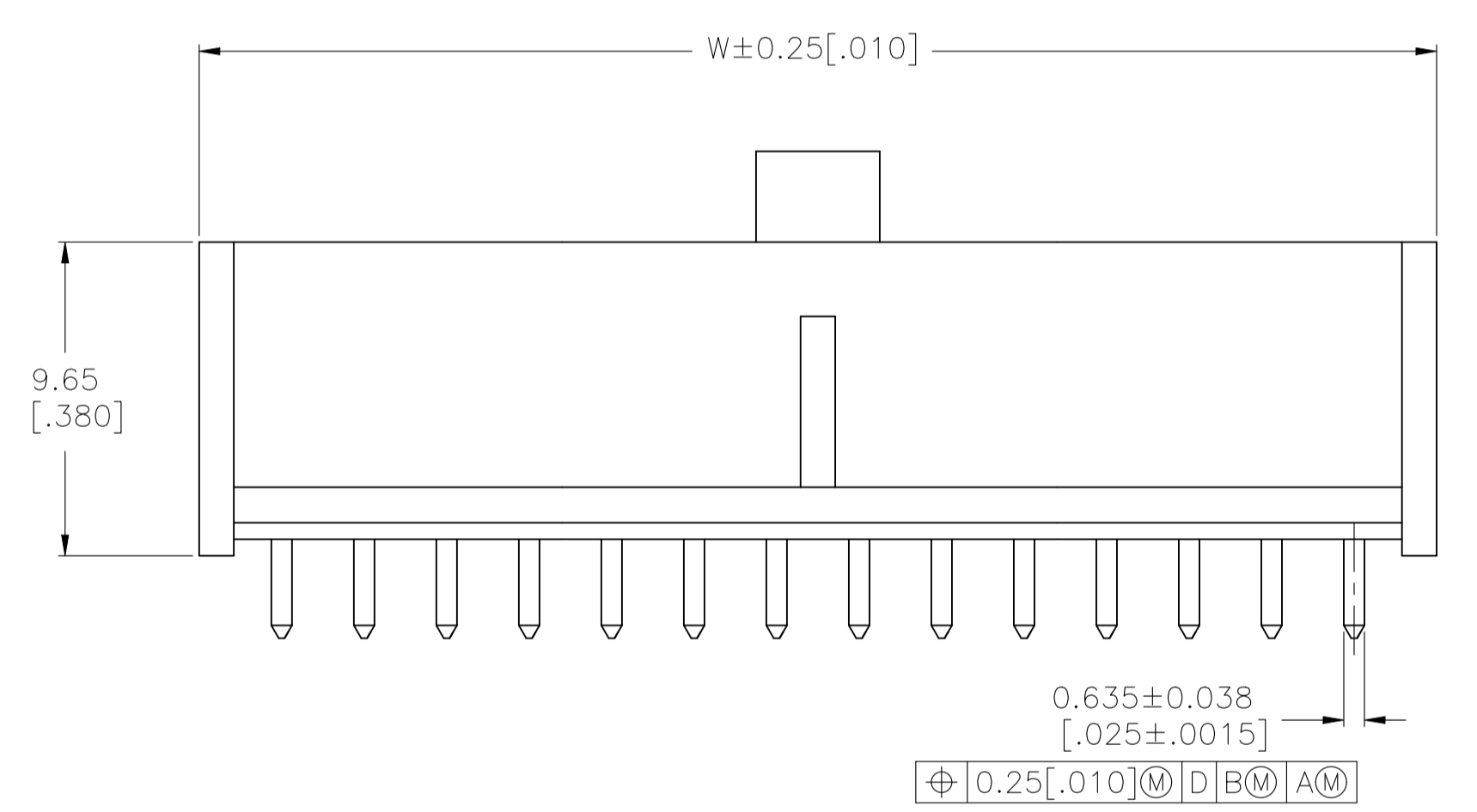
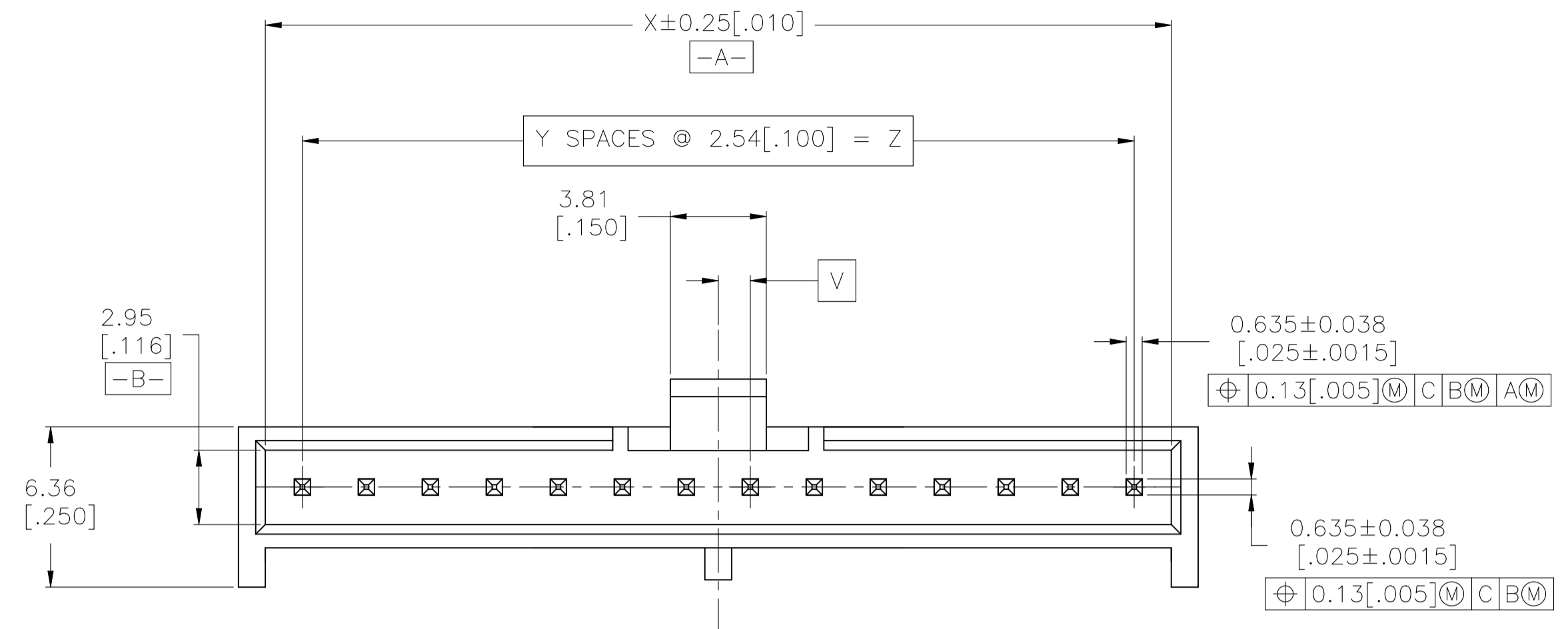


REVISIONS					
REV	DATE	DESCRIPTION	BY	CHK	APPD
B1	27JAN2025	REVISED AS PER ECR-24-220980	MK	JM	



RECOMMENDED PC BOARD LAYOUT
1.57 [.062] PC BOARD
VIEWED FROM CONNECTOR SIDE

- 1 MATERIAL:
HOUSING: NYLON, 94V-0 RATED, COLOR: BLUE.
CONTACTS: PHOSPHOR BRONZE
- 2 FINISH:
CONTACTS: 0.76µm [.000030] MIN GOLD IN CONTACT AREA. .00254 [.000100] MIN TIN ON SOLDER POST, ALL OVER 0.00127 [.000050] MIN NICKEL.
- 3 FINISH:
CONTACTS: 0.00254 [.000100] MIN TIN OVER 0.00127 [.000050] MIN NICKEL.
- 4 DATUMS AND BASIC DIMENSIONS TO BE ESTABLISHED BY THE CUSTOMER.

FINISH	DIM Z	DIM Y	DIM X	DIM W	DIM V	NUMBER OF POSITIONS	PART NUMBER
3	55.88[2.200]	22	58.83[2.316]	60.96[2.400]	0.00[.000]	23	4-1888291-0
2	55.88[2.200]	22	58.83[2.316]	60.96[2.400]	0.00[.000]	23	3-1888291-9
3	53.34[2.100]	21	56.29[2.216]	58.42[2.300]	1.27[.050]	22	3-1888291-8
2	53.34[2.100]	21	56.29[2.216]	58.42[2.300]	1.27[.050]	22	3-1888291-7
3	50.80[2.000]	20	53.75[2.116]	55.88[2.200]	0.00[.000]	21	3-1888291-6
2	50.80[2.000]	20	53.75[2.116]	55.88[2.200]	0.00[.000]	21	3-1888291-5
3	48.26[1.900]	19	51.21[2.016]	53.34[2.100]	1.27[.050]	20	3-1888291-4
2	48.26[1.900]	19	51.21[2.016]	53.34[2.100]	1.27[.050]	20	3-1888291-3
3	45.72[1.800]	18	48.67[1.916]	50.80[2.000]	0.00[.000]	19	3-1888291-2
2	45.72[1.800]	18	48.67[1.916]	50.80[2.000]	0.00[.000]	19	3-1888291-1
3	43.18[1.700]	17	46.13[1.816]	48.26[1.900]	1.27[.050]	18	3-1888291-0
2	43.18[1.700]	17	46.13[1.816]	48.26[1.900]	1.27[.050]	18	2-1888291-9
3	40.64[1.600]	16	43.59[1.716]	45.72[1.800]	0.00[.000]	17	2-1888291-8
2	40.64[1.600]	16	43.59[1.716]	45.72[1.800]	0.00[.000]	17	2-1888291-7
3	38.10[1.500]	15	41.05[1.616]	43.18[1.700]	1.27[.050]	16	2-1888291-6
2	38.10[1.500]	15	41.05[1.616]	43.18[1.700]	1.27[.050]	16	2-1888291-5
3	35.56[1.400]	14	38.51[1.516]	40.64[1.600]	0.00[.000]	15	2-1888291-4
2	35.56[1.400]	14	38.51[1.516]	40.64[1.600]	0.00[.000]	15	2-1888291-3
3	33.02[1.300]	13	35.97[1.416]	38.10[1.500]	1.27[.050]	14	2-1888291-2
2	33.02[1.300]	13	35.97[1.416]	38.10[1.500]	1.27[.050]	14	2-1888291-1
3	30.48[1.200]	12	33.43[1.316]	35.56[1.400]	0.00[.000]	13	2-1888291-0
2	30.48[1.200]	12	33.43[1.316]	35.56[1.400]	0.00[.000]	13	1-1888291-9
3	27.94[1.100]	11	30.89[1.216]	33.02[1.300]	1.27[.050]	12	1-1888291-8
2	27.94[1.100]	11	30.89[1.216]	33.02[1.300]	1.27[.050]	12	1-1888291-7
3	25.40[1.000]	10	28.35[1.116]	30.48[1.200]	0.00[.000]	11	1-1888291-6
2	25.40[1.000]	10	28.35[1.116]	30.48[1.200]	0.00[.000]	11	1-1888291-5
3	22.86[0.900]	9	25.81[1.016]	27.94[1.100]	1.27[.050]	10	1-1888291-4
2	22.86[0.900]	9	25.81[1.016]	27.94[1.100]	1.27[.050]	10	1-1888291-3
3	20.32[0.800]	8	23.27[0.916]	25.40[1.000]	0.00[.000]	9	1-1888291-2
2	20.32[0.800]	8	23.27[0.916]	25.40[1.000]	0.00[.000]	9	1-1888291-1
3	17.78[0.700]	7	20.73[0.816]	22.86[0.900]	1.27[.050]	8	1-1888291-0
2	17.78[0.700]	7	20.73[0.816]	22.86[0.900]	1.27[.050]	8	1888291-9
3	15.24[0.600]	6	18.19[0.716]	20.32[0.800]	0.00[.000]	7	1888291-8
2	15.24[0.600]	6	18.19[0.716]	20.32[0.800]	0.00[.000]	7	1888291-7
3	12.70[0.500]	5	15.65[0.616]	17.78[0.700]	1.27[.050]	6	1888291-6
2	12.70[0.500]	5	15.65[0.616]	17.78[0.700]	1.27[.050]	6	1888291-5
3	10.16[0.400]	4	13.11[0.516]	15.24[0.600]	0.00[.000]	5	1888291-4
2	10.16[0.400]	4	13.11[0.516]	15.24[0.600]	0.00[.000]	5	1888291-3
3	7.62[0.300]	3	10.57[0.416]	12.70[0.500]	1.27[.050]	4	1888291-2
2	7.62[0.300]	3	10.57[0.416]	12.70[0.500]	1.27[.050]	4	1888291-1

THIS DRAWING IS A CONTROLLED DOCUMENT.

DIMENSIONS: mm [INCHES]	TOLERANCES UNLESS OTHERWISE SPECIFIED:	0. PLC ± -	1. PLC ± -	2. PLC ± 0.13[.005]	3. PLC ± -	4. PLC ± -	ANGLES ± -
-------------------------	--	------------	------------	---------------------	------------	------------	------------

DIN 55410	MCMASITER	OBJUNDE
APPRO	GORENC	OBJUNDE
PRODUCT SPEC	D. GORENC	OBJUNDE
APPLICATION SPEC		

NAME: HEADER ASSY, VERTICAL, SINGLE ROW, FLEXPAC

SIZE: A1 CAGE CODE: 00779 DRAWING NO: 1888291

WEIGHT: -


CUSTOMER DRAWING

SCALE: 6:1 SHEET 1 OF 2 REV B1

REVISIONS					
REV	DATE	DESCRIPTION	BY	CHK	APPD
-	-	SEE SHEET 1	-	-	-

3	99.06[3.900]	39	102.01[4.016]	104.14[4.100]	1.27[.050]	40	7-1888291-4
2	99.06[3.900]	39	102.01[4.016]	104.14[4.100]	1.27[.050]	40	7-1888291-3
3	96.52[3.800]	38	99.47[3.916]	101.60[4.000]	0.00[.000]	39	7-1888291-2
2	96.52[3.800]	38	99.47[3.916]	101.60[4.000]	0.00[.000]	39	7-1888291-1
3	93.98[3.700]	37	96.93[3.816]	99.06[3.900]	1.27[.050]	38	7-1888291-0
2	93.98[3.700]	37	96.93[3.816]	99.06[3.900]	1.27[.050]	38	6-1888291-9
3	91.44[3.600]	36	94.39[3.716]	96.52[3.800]	0.00[.000]	37	6-1888291-8
2	91.44[3.600]	36	94.39[3.716]	96.52[3.800]	0.00[.000]	37	6-1888291-7
3	88.90[3.500]	35	91.85[3.616]	93.98[3.700]	1.27[.050]	36	6-1888291-6
2	88.90[3.500]	35	91.85[3.616]	93.98[3.700]	1.27[.050]	36	6-1888291-5
3	86.36[3.400]	34	89.31[3.516]	91.44[3.600]	0.00[.000]	35	6-1888291-4
2	86.36[3.400]	34	89.31[3.516]	91.44[3.600]	0.00[.000]	35	6-1888291-3
3	83.82[3.300]	33	86.77[3.416]	88.90[3.500]	1.27[.050]	34	6-1888291-2
2	83.82[3.300]	33	86.77[3.416]	88.90[3.500]	1.27[.050]	34	6-1888291-1
3	81.28[3.200]	32	84.23[3.316]	86.36[3.400]	0.00[.000]	33	6-1888291-0
2	81.28[3.200]	32	84.23[3.316]	86.36[3.400]	0.00[.000]	33	5-1888291-9
3	78.74[3.100]	31	81.69[3.216]	83.82[3.300]	1.27[.050]	32	5-1888291-8
2	78.74[3.100]	31	81.69[3.216]	83.82[3.300]	1.27[.050]	32	5-1888291-7
3	76.20[3.000]	30	79.15[3.116]	81.28[3.200]	0.00[.000]	31	5-1888291-6
2	76.20[3.000]	30	79.15[3.116]	81.28[3.200]	0.00[.000]	31	5-1888291-5
3	73.66[2.900]	29	76.61[3.016]	78.74[3.100]	1.27[.050]	30	5-1888291-4
2	73.66[2.900]	29	76.61[3.016]	78.74[3.100]	1.27[.050]	30	5-1888291-3
3	71.12[2.800]	28	74.07[2.916]	76.20[3.000]	0.00[.000]	29	5-1888291-2
2	71.12[2.800]	28	74.07[2.916]	76.20[3.000]	0.00[.000]	29	5-1888291-1
3	68.58[2.700]	27	71.53[2.816]	73.66[2.900]	1.27[.050]	28	5-1888291-0
2	68.58[2.700]	27	71.53[2.816]	73.66[2.900]	1.27[.050]	28	4-1888291-9
3	66.04[2.600]	26	68.99[2.716]	71.12[2.800]	0.00[.000]	27	4-1888291-8
2	66.04[2.600]	26	68.99[2.716]	71.12[2.800]	0.00[.000]	27	4-1888291-7
3	63.50[2.500]	25	66.45[2.616]	68.58[2.700]	1.27[.050]	26	4-1888291-6
2	63.50[2.500]	25	66.45[2.616]	68.58[2.700]	1.27[.050]	26	4-1888291-5
3	60.96[2.400]	24	63.91[2.516]	66.04[2.600]	0.00[.000]	25	4-1888291-4
2	60.96[2.400]	24	63.91[2.516]	66.04[2.600]	0.00[.000]	25	4-1888291-3
3	58.42[2.300]	23	61.37[2.416]	63.50[2.500]	1.27[.050]	24	4-1888291-2
2	58.42[2.300]	23	61.37[2.416]	63.50[2.500]	1.27[.050]	24	4-1888291-1
FINISH	DIM Z	DIM Y	DIM X	DIM W	DIM V	NUMBER OF POSITIONS	PART NUMBER

OBSOLETE

THIS DRAWING IS A CONTROLLED DOCUMENT.		DIN D1 MCMASTER	OBUN06		TE Connectivity Ltd.	
DIMENSIONS: mm [INCHES]		CIK D1 GORENC	OBUN06		NAME: HEADER ASSY, VERTICAL, SINGLE ROW, FLEXPAC	
TOLERANCES UNLESS OTHERWISE SPECIFIED:		APVD D1 GORENC	OBUN06	PRODUCT SPEC: --		
0. PLC ± -		APPLICATION SPEC: --		SIZE: A1		
1. PLC ± -		WEIGHT: --		CAGE CODE: 00779		
2. PLC ± 0.13[.005]		CUSTOMER DRAWING		DRAWING NO: 1888291		
3. PLC ± -		SCALE: 6:1		SHEET 2 OF 2		
4. PLC ± -		RESTRICTED TO: --		REV: B1		
ANGLES: ± -						