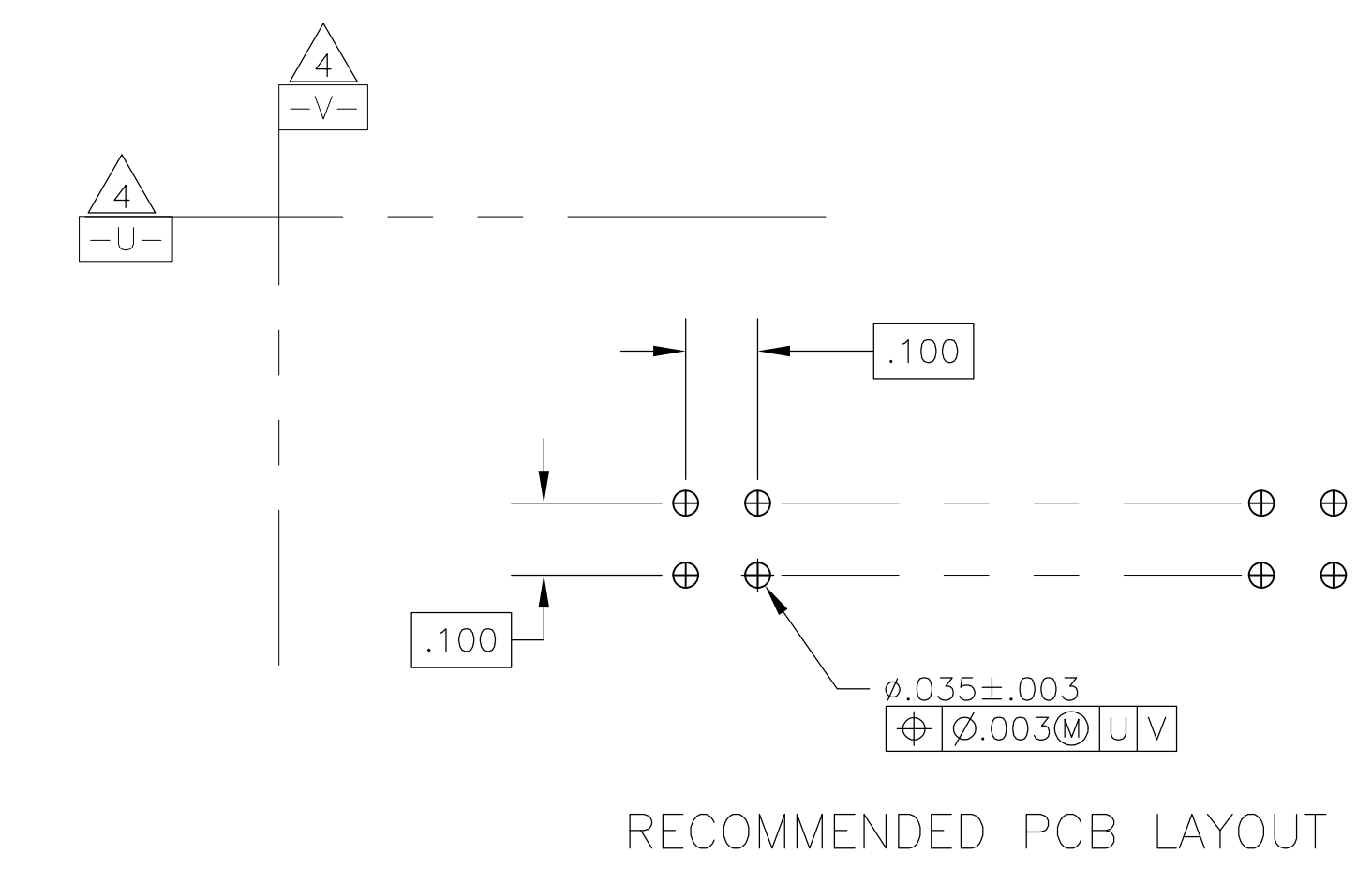
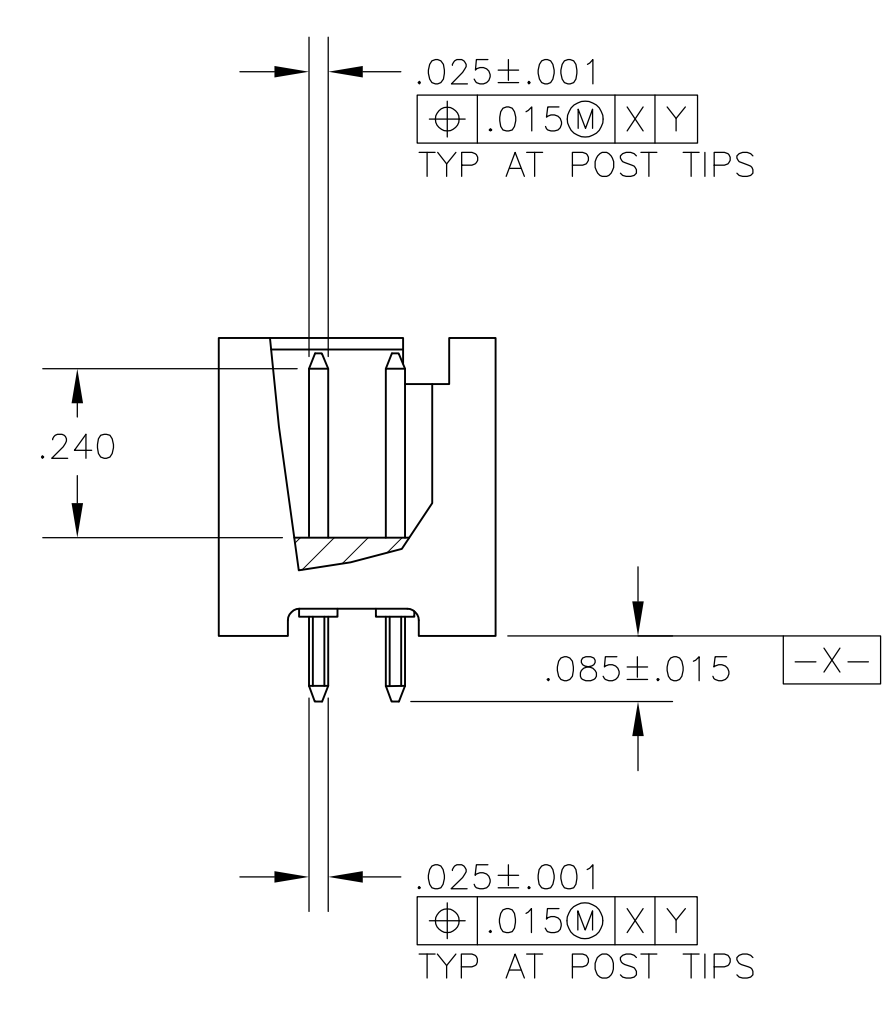
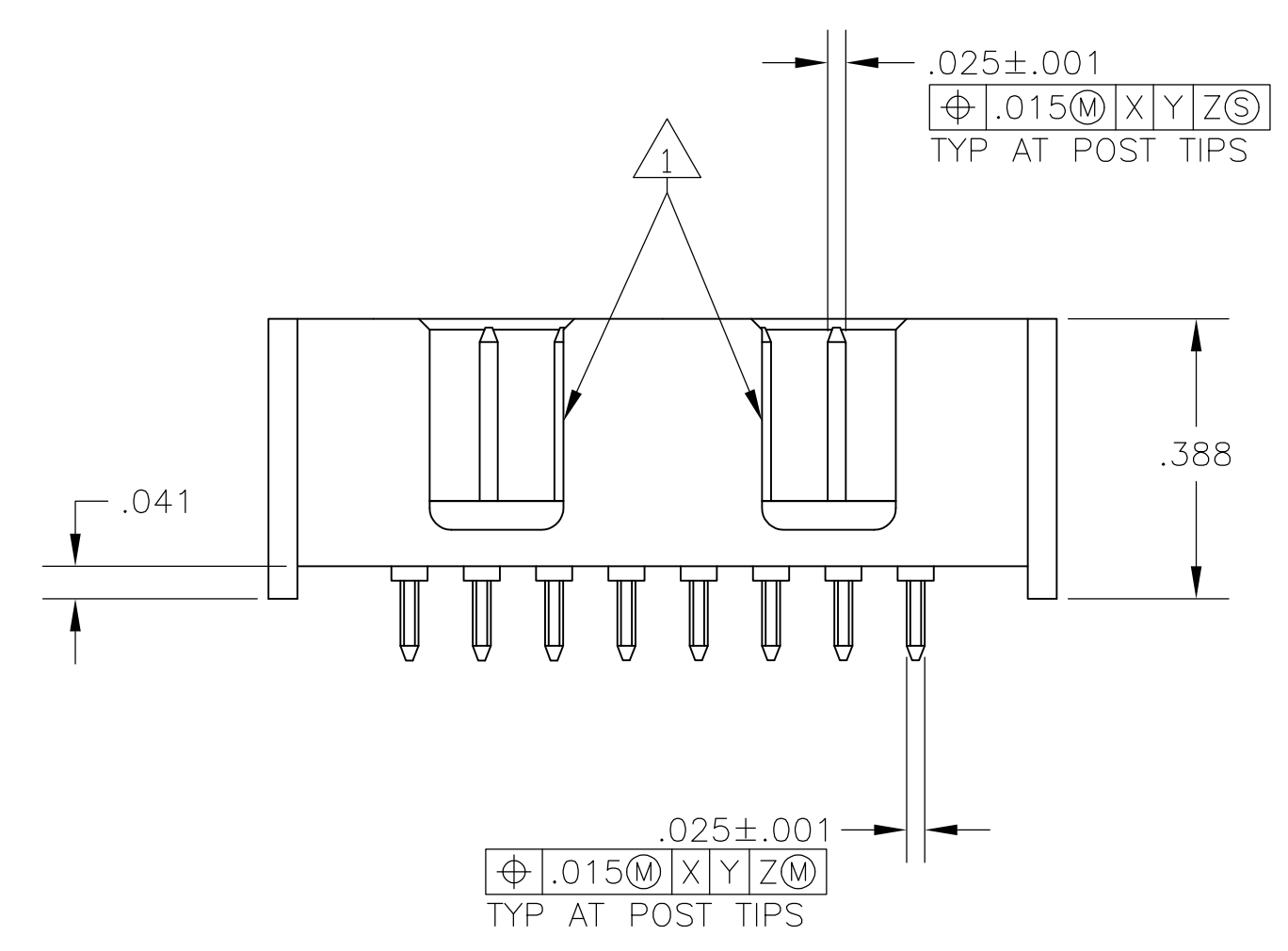


- 1 DOUBLE BAR POLARIZATION SLOTS.
- 2 CENTER POLARIZATION SLOT.
- 3 POST OMITTED IN POSITION NO. 6.
- 4 DATUMS U AND V TO BE ESTABLISHED BY THE CUSTOMER.
- 5 HOUSING: GLASS FILLED NYLON OR PBT, BLACK, UL 94V-0 RATED. POSTS: BRASS.
- 6 POSTS: GOLD FLASH OVER PALLADIUM-NICKEL PLATE, .000015 MIN TOTAL ON THE MATING SURFACES, .000100 MIN TIN PLATE ON THE SOLDER-TAILS, .000050 MIN NICKEL UNDERPLATE ON THE ENTIRE POST.
-OR-
.000015 MIN GOLD PLATE ON THE MATING SURFACES, .000100 MIN TIN PLATE ON THE SOLDER-TAILS, .000050 MIN NICKEL UNDERPLATE ON THE ENTIRE POST.
- 7 GOLD FLASH ON THE MATING SURFACES, .000100 MIN TIN PLATE ON THE SOLDER-TAILS, .000050 MIN NICKEL UNDERPLATE ON THE ENTIRE POST.



7	1888228-2
6	1888228-1
FINISH	PART NUMBER

THIS DRAWING IS A CONTROLLED DOCUMENT.		DIN C. LAUBACH 21 DEC 05	Tyco Electronics Corporation Harrisburg, PA 17105-3608
DIMENSIONS: INCHES		CHK S. BOLASH 21 DEC 05	
TOLERANCES UNLESS OTHERWISE SPECIFIED:		APP'D M. WALMSLEY 21 DEC 05	NAME: M. WALMSLEY
0. PLC ± -		PRODUCT SPEC	108-40018
1. PLC ± -		APPLICATION SPEC	
2. PLC ± -		SIZE	A1
3. PLC ± .005		WEIGHT	000779
4. PLC ± -		SCALE	4:1
ANGLES ± -		SHEET	1 OF 1
MATERIAL	SEE TABLE	CUSTOMER DRAWING	REV F