

4

3

2

1

THIS DRAWING IS UNPUBLISHED.

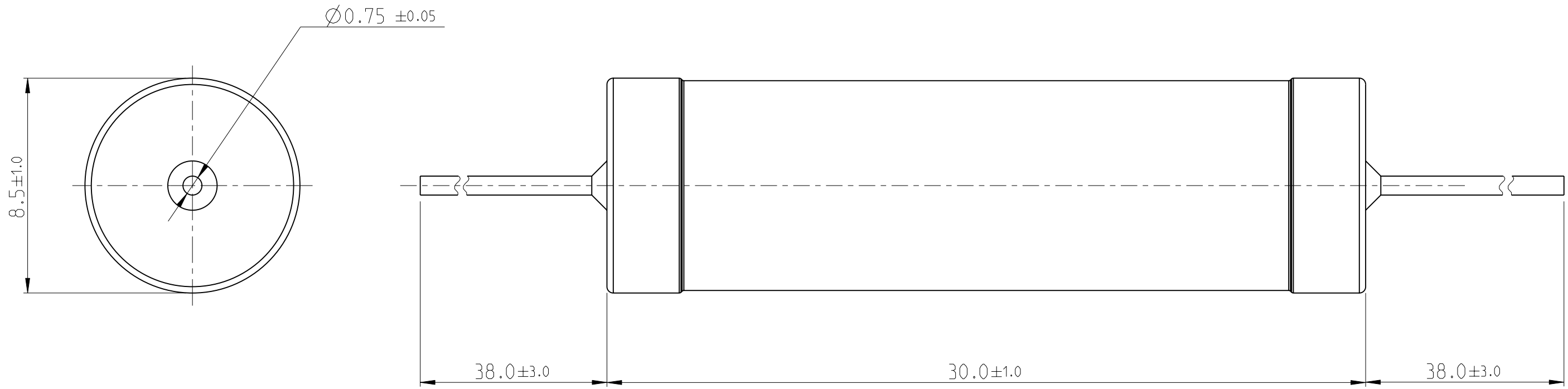
RELEASED FOR PUBLICATION

2011

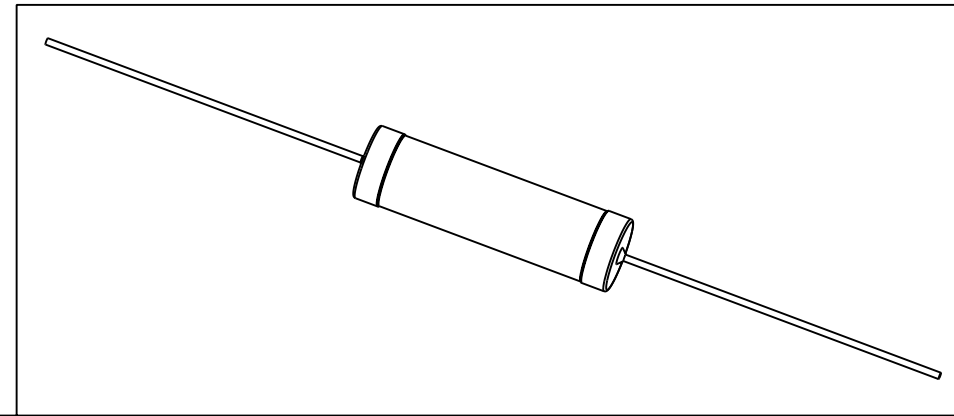
© COPYRIGHT 2011


ALL RIGHTS RESERVED.

LOC	DIST	REVISIONS			
P	LTR	DESCRIPTION	DATE	DWN	APVD
AI	-	BA	NEW DRAWING	16MAR2012	DMS ST.P



FOR FUTHER INFORMATION SEE DATA SHEET FOR  
WIREWOUND ANTI-SURGE RESISTOR - EP SERIES



THIS DRAWING IS A CONTROLLED DOCUMENT.		DWN DARSHAN.MS 16MAR2012	 TE Connectivity	
DIMENSIONS: mm		CHK ALLAN.P 16MAR2012		
TOLERANCES UNLESS OTHERWISE SPECIFIED:		APVD STEPHEN.P 16MAR2012	NAME WIREWOUND ANTI-SURGE RESISTOR - TYPE EP 7W	
0 PLC ±- 1 PLC ±- 2 PLC ±- 3 PLC ±- 4 PLC ±- ANGLES ±1°		PRODUCT SPEC -	RESTRICTED TO -	
MATERIAL -		FINISH -	APPLICATION SPEC -	SIZE A3
		WEIGHT 6.487 Gram	CAGE CODE 00779	DRAWING NO C-1879927
CUSTOMER DRAWING			SCALE 1:1	SHEET 1 OF 1
			REV BA	