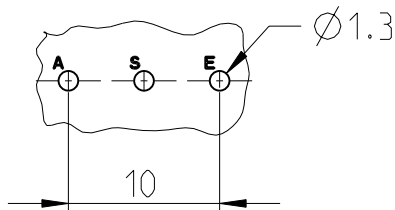
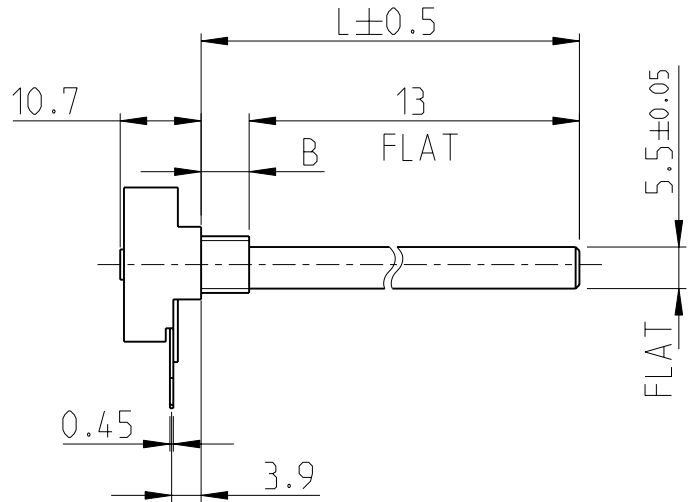
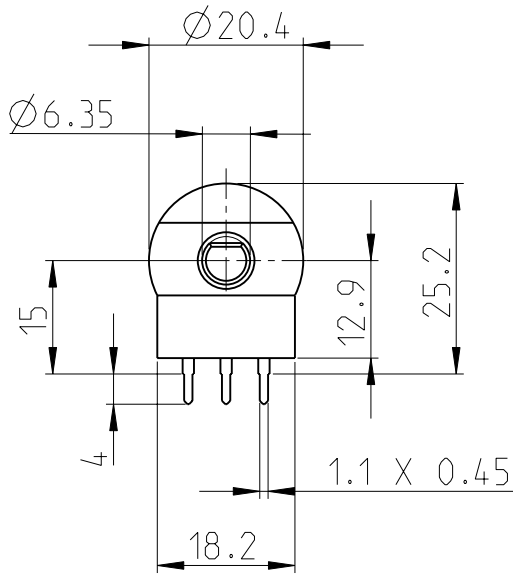
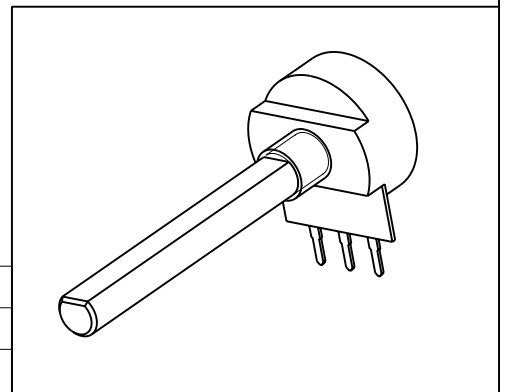


LOC	DIST	REVISIONS					
E	B	P	LTR	DESCRIPTION	DATE	DWN	APVD
			BA	NEW RELEASE	19JULY2010	PT	St.P

1. AVAILABLE WITH DIFFERENT BUSH STYLES (B)
2. FOR FURTHER INFORMATION SEE DATA SHEET FOR SERIES 23, SPINDLE OPERATED POTENTIOMETERS



RoHS Compliant



20	1879802-2	2
50	1879802-1	1
DIM	L	TE PART NO. ITEM NO.

2008
 RELEASED FOR PUBLICATION
 THIS DRAWING IS UNPUBLISHED.
 COPYRIGHT 2008 BY TYCO ELECTRONICS CORPORATION. ALL RIGHTS RESERVED.

DIMENSIONS:	DWN	19JULY2010	MATERIAL	FINISH		
mm	PARUSURAM.T		-	-		
TOLERANCES UNLESS OTHERWISE SPECIFIED:	CHK	19JULY2010	Tyco Electronics Corporation Dorcan, Swindon, SN3 5HH			
0 PLC ±0.2	STEPHEN.P					
1 PLC ±0.1	APVD	19JULY2010	NAME SPINDLE OPERATED POTENTIOMETERS 23 SERIES			
2 PLC ±	STEPHEN.P					
3 PLC ±	PRODUCT SPEC		SIZE	CAGE CODE	DRAWING NO	RESTRICTED TO
4 PLC ±	APPLICATION SPEC		A 4	00779	©-1879802	-
ANGLES ±5°	WEIGHT		CUSTOMER DRAWING			
			SCALE	SHEET	OF	REV
			1:1	1	1	BA