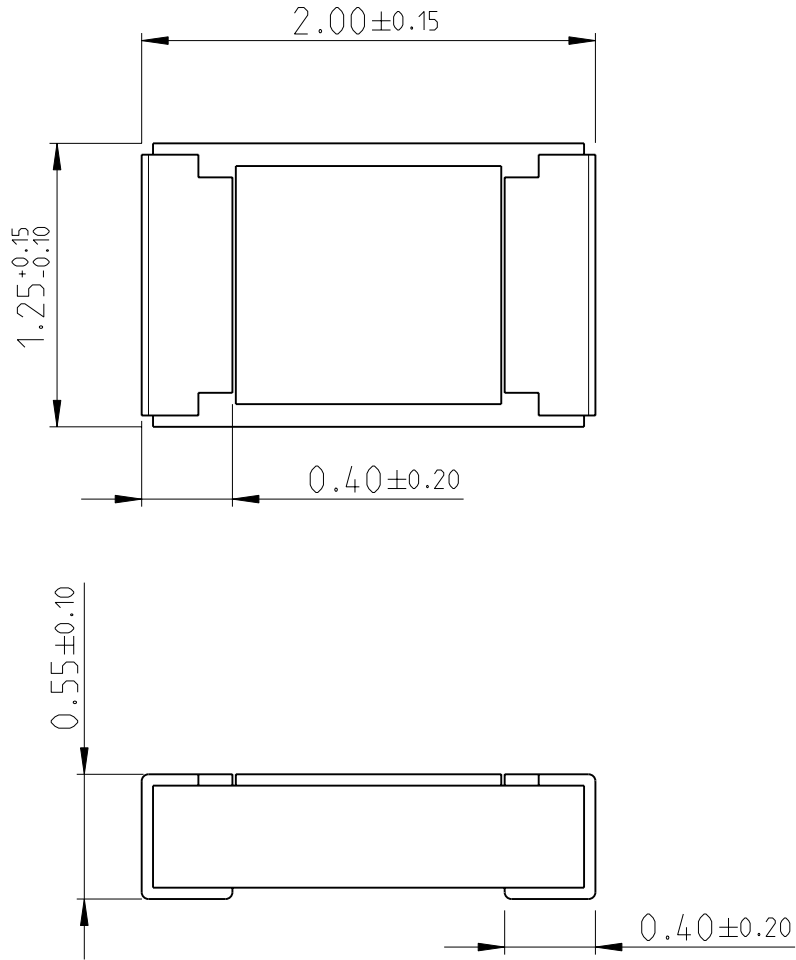
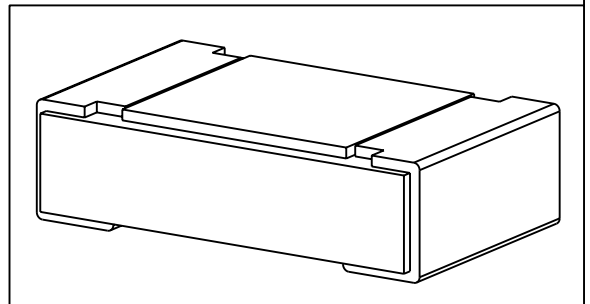


LOC	DIST	REVISIONS					
-	-	P	LTR	DESCRIPTION	DATE	DWN	APVD
		BA		NEW DRAWING	27JUN2012	KR	TN



FOR FURTHER INFORMATION SEE PRODUCT SPECIFICATION FOR CRGH SERIES

RoHS Compliant



20




RELEASED FOR PUBLICATION

ALL RIGHTS RESERVED.

BY -

© COPYRIGHT 20

THIS DRAWING IS UNPUBLISHED.

DIMENSIONS:	DWN	27JUN2012	MATERIAL	FINISH				
mm	RAGHAVENDRA K		-	-				
TOLERANCES UNLESS OTHERWISE SPECIFIED:	CHK	27JUN2012	 TE Connectivity					
	ALLAN P							
0 PLC ± 1 PLC ±0.5 2 PLC ±0.13 3 PLC ±0.013 4 PLC ±0.0001 ANGLES ±	APVD	27JUN2012	NAME SMD POWER RESISTORS - TYPE CRGH0805 SERIES					
	TONY N							
	PRODUCT SPEC	-	SIZE	CAGE CODE	DRAWING NO	RESTRICTED TO		
	APPLICATION SPEC	-	A 4	00779	©-1879496	-		
	WEIGHT	-	CUSTOMER DRAWING		SCALE	SHEET	OF	REV
 				40:1	1	1	BA	