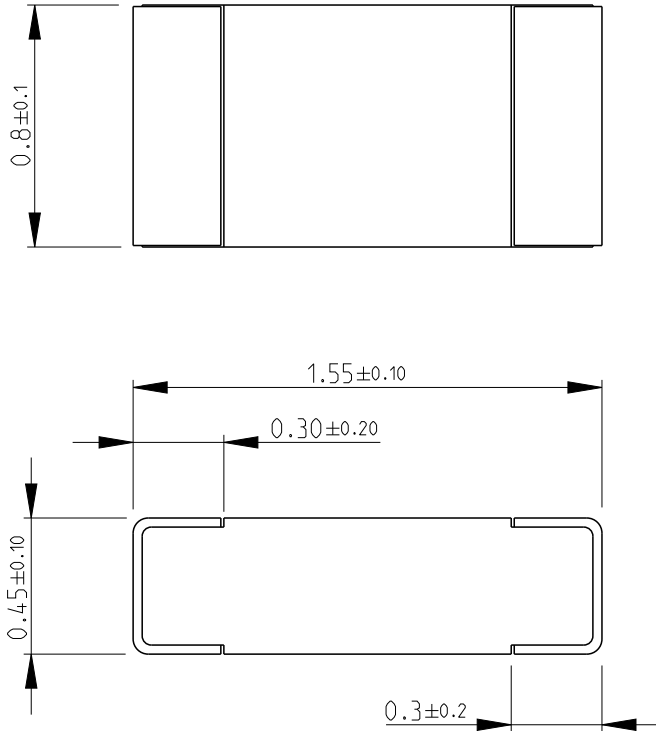


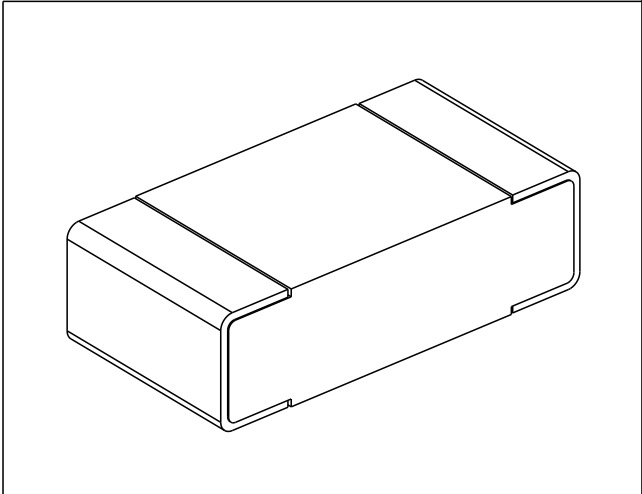
REVISIONS

P	LTR	DESCRIPTION	DATE	DWN	APVD
	BA	NEW RELEASE	18JUN2014	KR	TN

FOR FURTHER INFORMATION SEE DATA SHEET FOR CPF SERIES-THIN FILM PRECISION CHIP RESISTORS



RoHS Compliant



2008


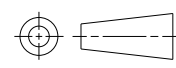
RELEASED FOR PUBLICATION

ALL RIGHTS RESERVED.

BY -

© COPYRIGHT 2008

THIS DRAWING IS UNPUBLISHED.

DIMENSIONS:		DWN	18JUN2014	MATERIAL	FINISH	
mm		RAGHAVENDRA K		-	-	
TOLERANCES UNLESS OTHERWISE SPECIFIED:		CHK	18JUN2014	 TE Connectivity		
0 PLC ±0.2		ALLAN P				
1 PLC ±0.1		APVD	18JUN2014	NAME THIN FILM PRECISION CHIP RESISTORS SERIES CPF 0603		
2 PLC ±		TONY N				
3 PLC ±		PRODUCT SPEC	-	SIZE	CAGE CODE	DRAWING NO
4 PLC ±		APPLICATION SPEC	-	A 4	00779	©=1879417
ANGLES ±5°		WEIGHT	0.00183 GR	RESTRICTED TO		-
		Customer Drawing		SCALE	SHEET	REV
				40:1	1 OF 1	BA