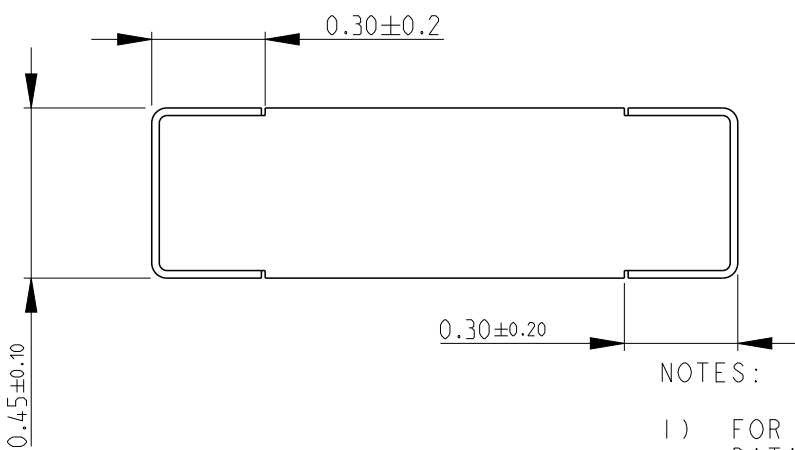
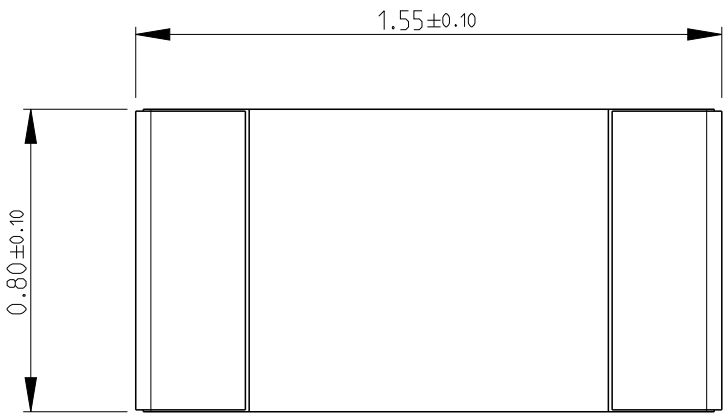
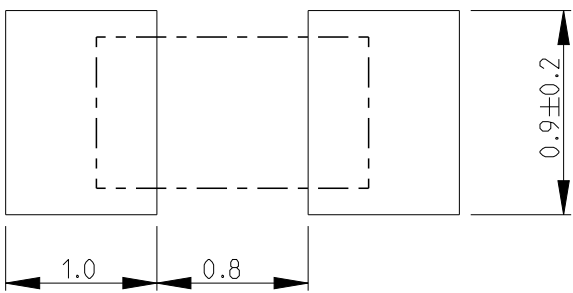


REVISIONS					
P	LTR	DESCRIPTION	DATE	DWN	APVD
	BA	NEW RELEASE	20SEP2010	PT	St.P
	BB	ECR-15-001931	07FEB2015	KR	TN

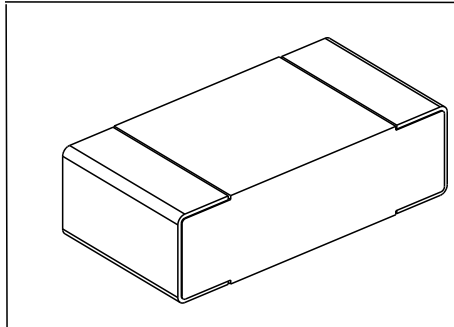


RECOMMENDED LAND PATTERN



NOTES:

- 1) FOR FURTHER INFORMATION SEE DATA SHEET FOR RN73 SERIES-HIGH PRECISION RESISTORS (SMD)
- 2) 250 PIECE REEL PACKING SPEC. NO LONGER AVAILABLE



2010
 RELEASED FOR PUBLICATION
 ALL RIGHTS RESERVED.
 THIS DRAWING IS UNPUBLISHED.
 BY -
 © COPYRIGHT 2010

DIMENSIONS:		DWN	20SEP2010	MATERIAL	FINISH	
mm		PARUSURAM.T		-		-
TOLERANCES UNLESS OTHERWISE SPECIFIED:		CHK	20SEP2010	TE Connectivity		
0 PLC ±0.2		ALLAN.P				
1 PLC ±0.1		APVD	20SEP2010	NAME		
2 PLC ±		STEPHEN.P		HIGH PRECISION RESISTORS (SMD)		
3 PLC ±		PRODUCT SPEC		SERIES RN73 1J		
4 PLC ±		APPLICATION SPEC		SIZE	CAGE CODE	DRAWING NO
ANGLES 5°				A 4	00779	©=1879362
		WEIGHT	-	RESTRICTED TO		-
Customer Drawing				SCALE	50:1	SHEET 1 OF 1
				REV		BB