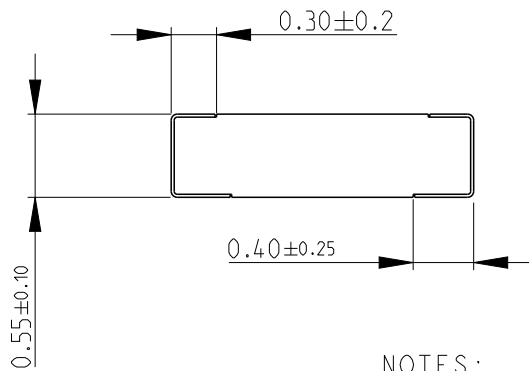
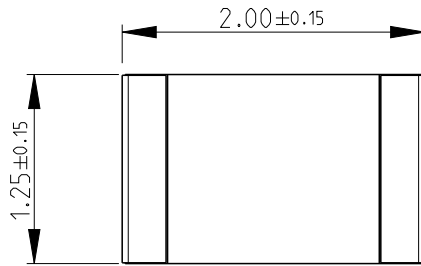


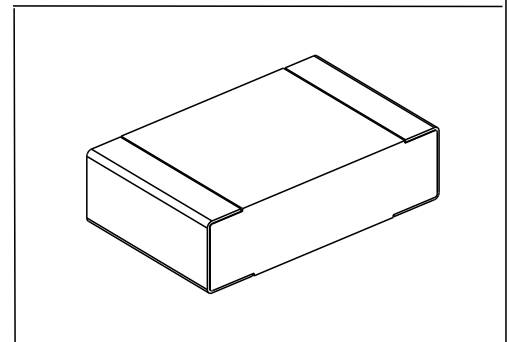
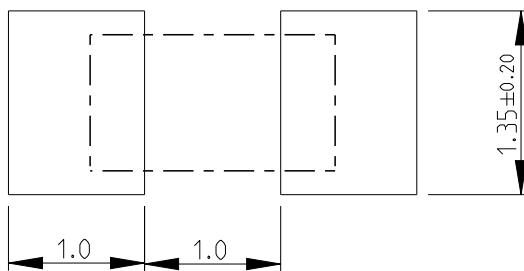
REVISIONS					
P	LTR	DESCRIPTION	DATE	DWN	APVD
	BA	NEW RELEASE	21SEP2010	PT	St.P
	BB	ECR-15-001931	07FEB2014	KR	TN



NOTES:

- 1) FOR FURTHER INFORMATION SEE DATA SHEET FOR RN73 SERIES-HIGH PRECISION RESISTORS (SMD)
- 2) 250 PIECE REEL PACKING SPEC. NO LONGER AVAILABLE

RECOMMENDED LAND PATTERN



2010


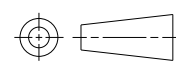
RELEASED FOR PUBLICATION

ALL RIGHTS RESERVED.

BY -

© COPYRIGHT 2010

THIS DRAWING IS UNPUBLISHED.

DIMENSIONS: mm		DWN PARUSURAM.T 21SEP2010	MATERIAL -	FINISH -		
TOLERANCES UNLESS OTHERWISE SPECIFIED: 0 PLC ±0.2 1 PLC ±0.1 2 PLC ± 3 PLC ± 4 PLC ± ANGLES ±5°		CHK ALLAN.P 21SEP2010	 TE Connectivity			
		APVD STEPHEN.P 21SEP2010				
		PRODUCT SPEC -	NAME HIGH PRECISION RESISTORS (SMD) SERIES RN73 2A			
		APPLICATION SPEC -	SIZE A 4	CAGE CODE 00779	DRAWING NO C-1879357	RESTRICTED TO -
WEIGHT -		Customer Drawing		SCALE 20:1	SHEET 1 OF 1	REV BB