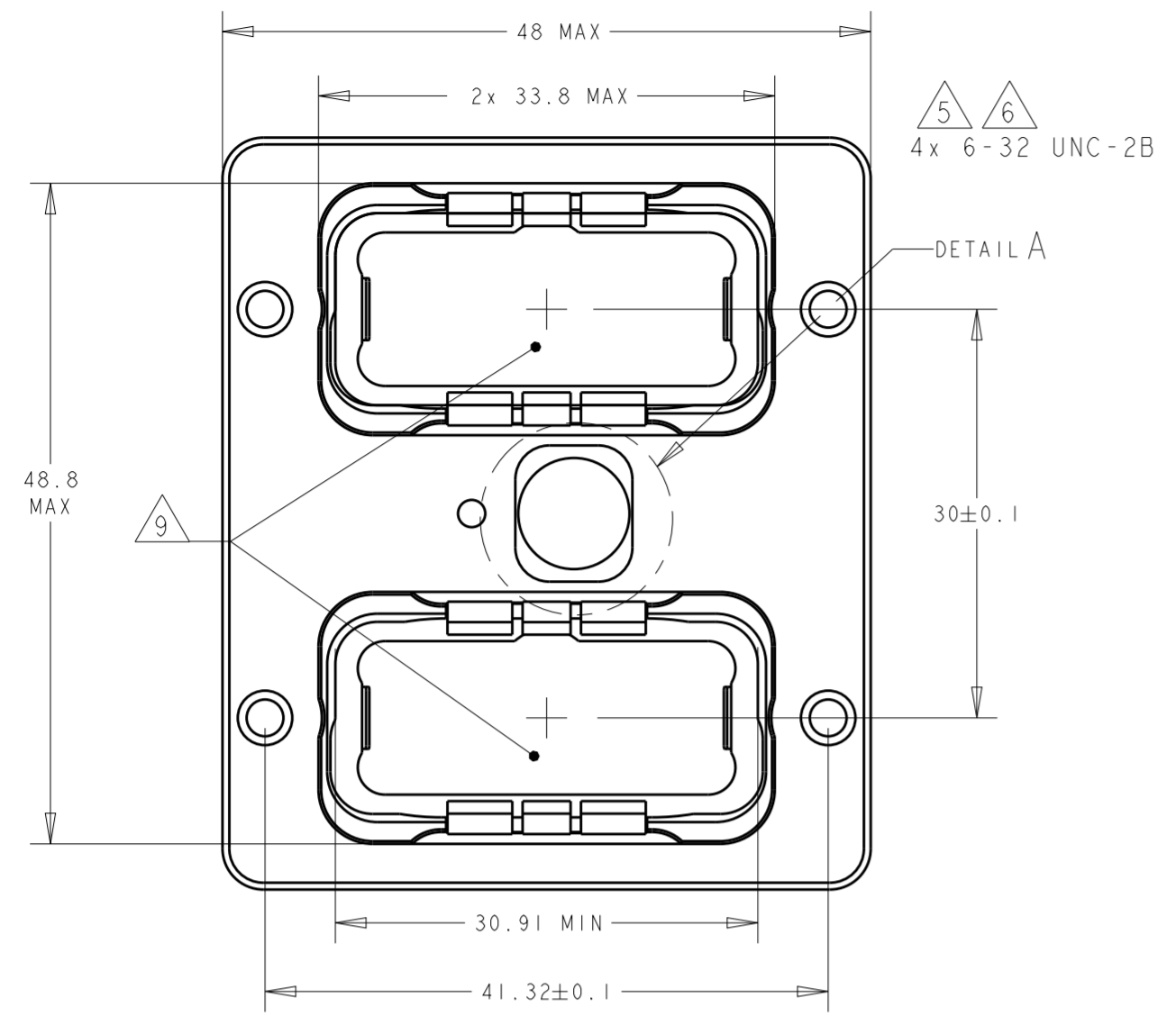
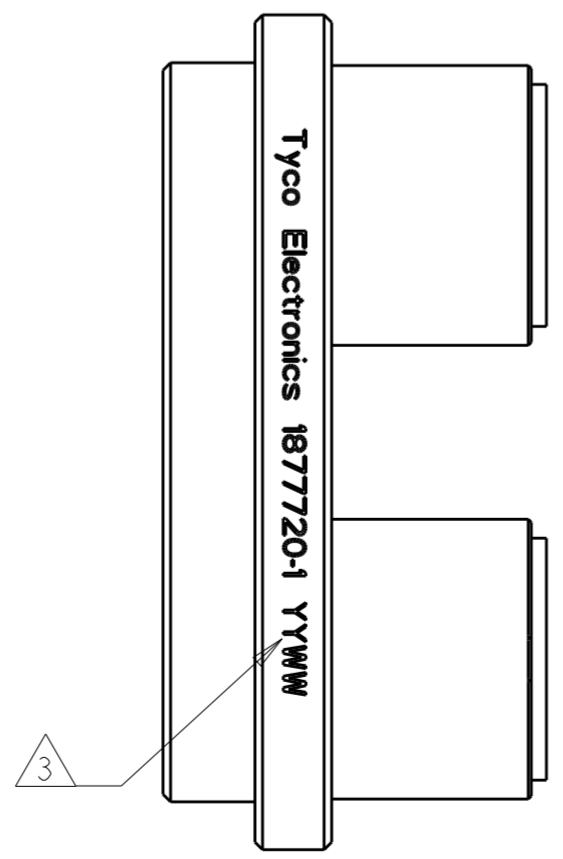
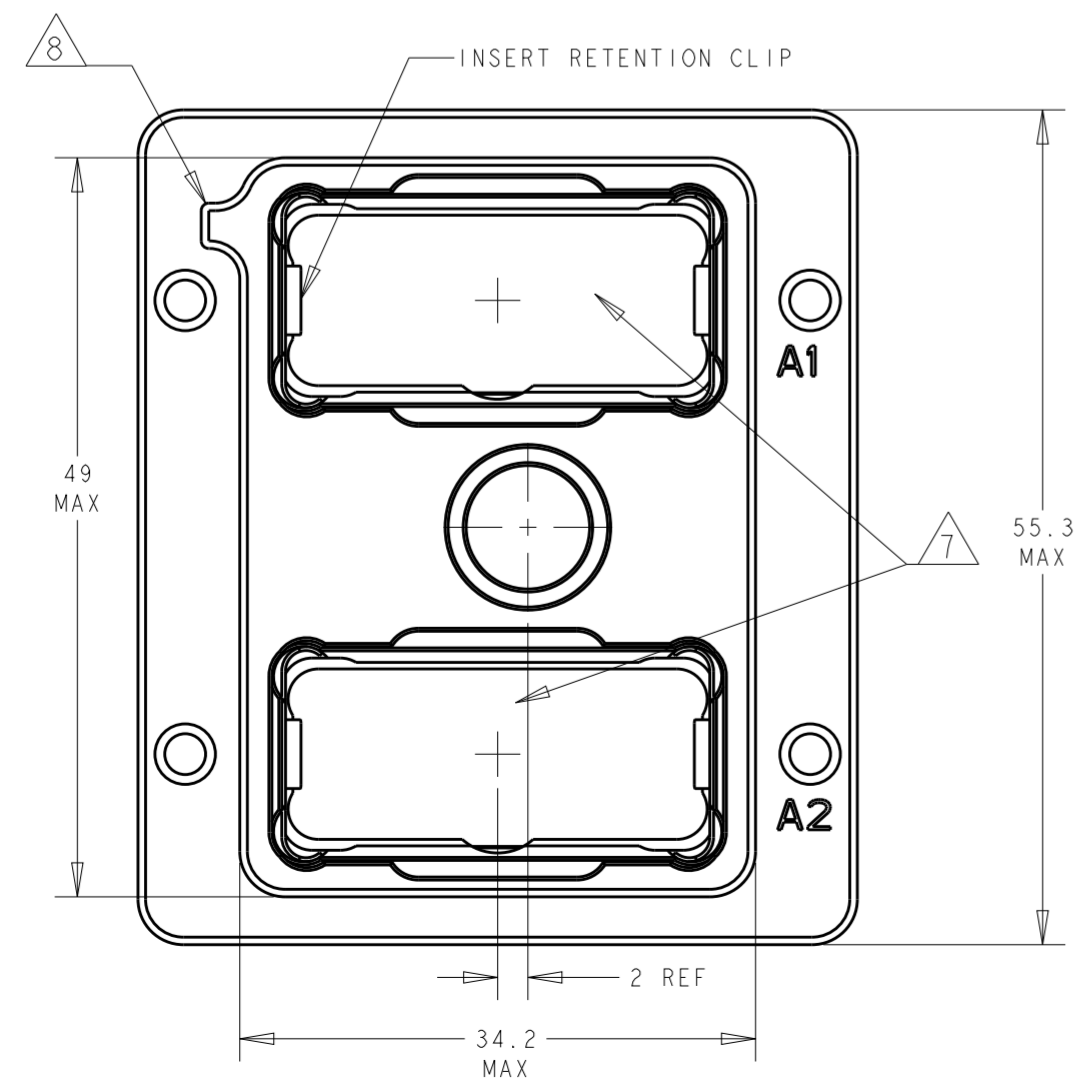
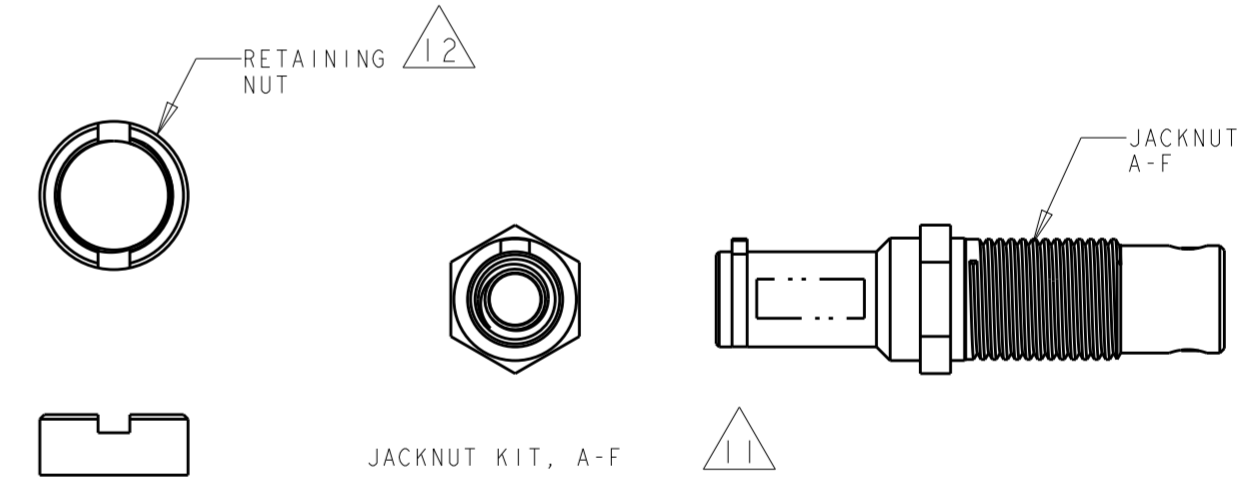
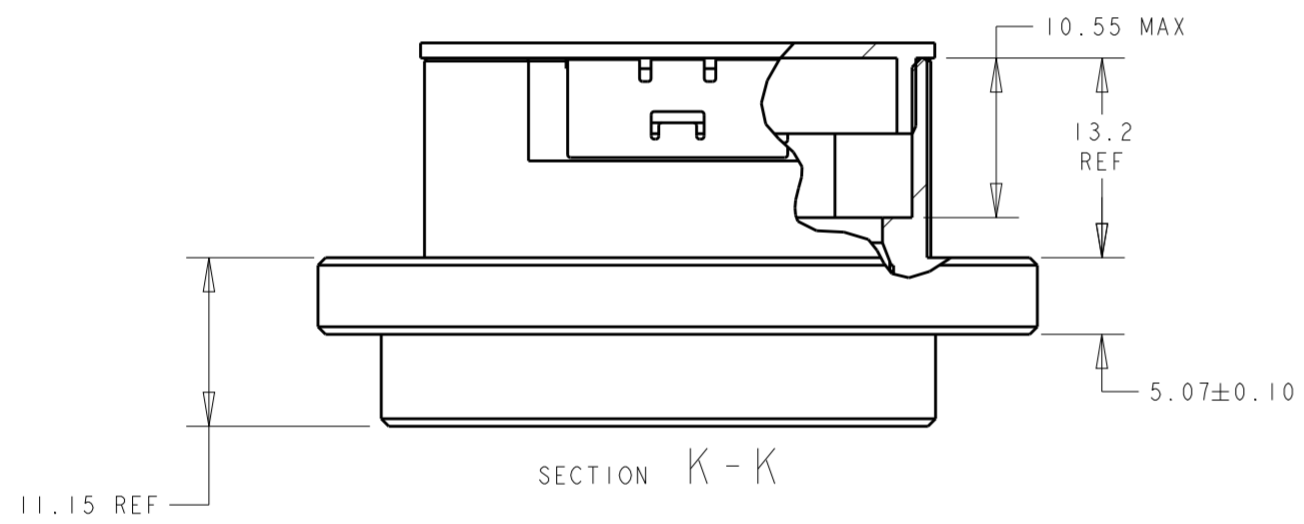
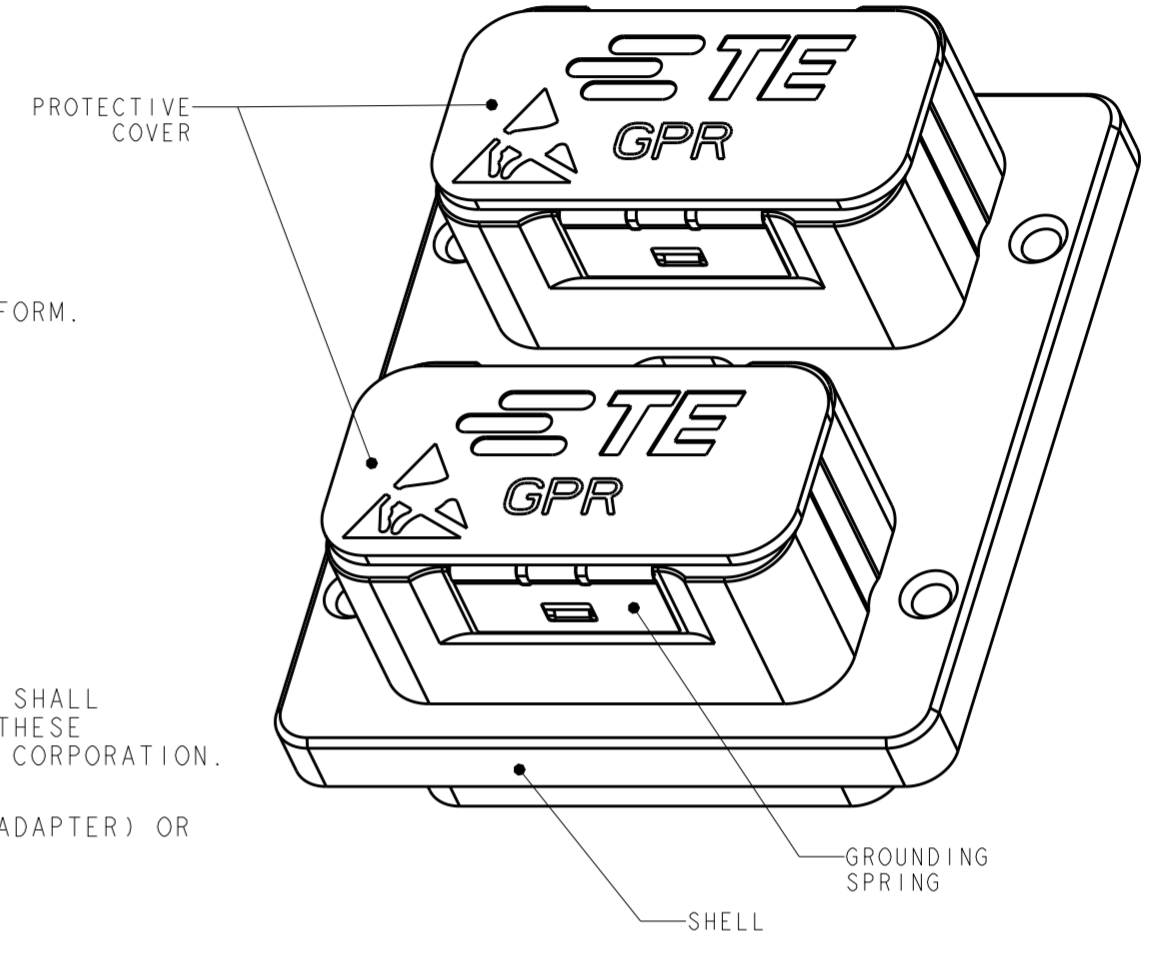


THIS DRAWING IS UNPUBLISHED. RELEASED FOR PUBLICATION 20
 © COPYRIGHT 20 BY - ALL RIGHTS RESERVED.

| REVISIONS | | | | | |
|-----------|-----|-----------------------|---------|-----|------|
| P | LTR | DESCRIPTION | DATE | DWN | APVD |
| D | | REV PER ECO 17-008683 | 7-19-17 | CT | EO |



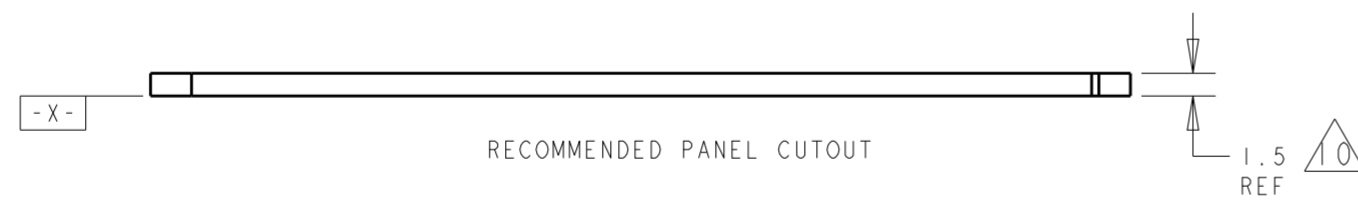
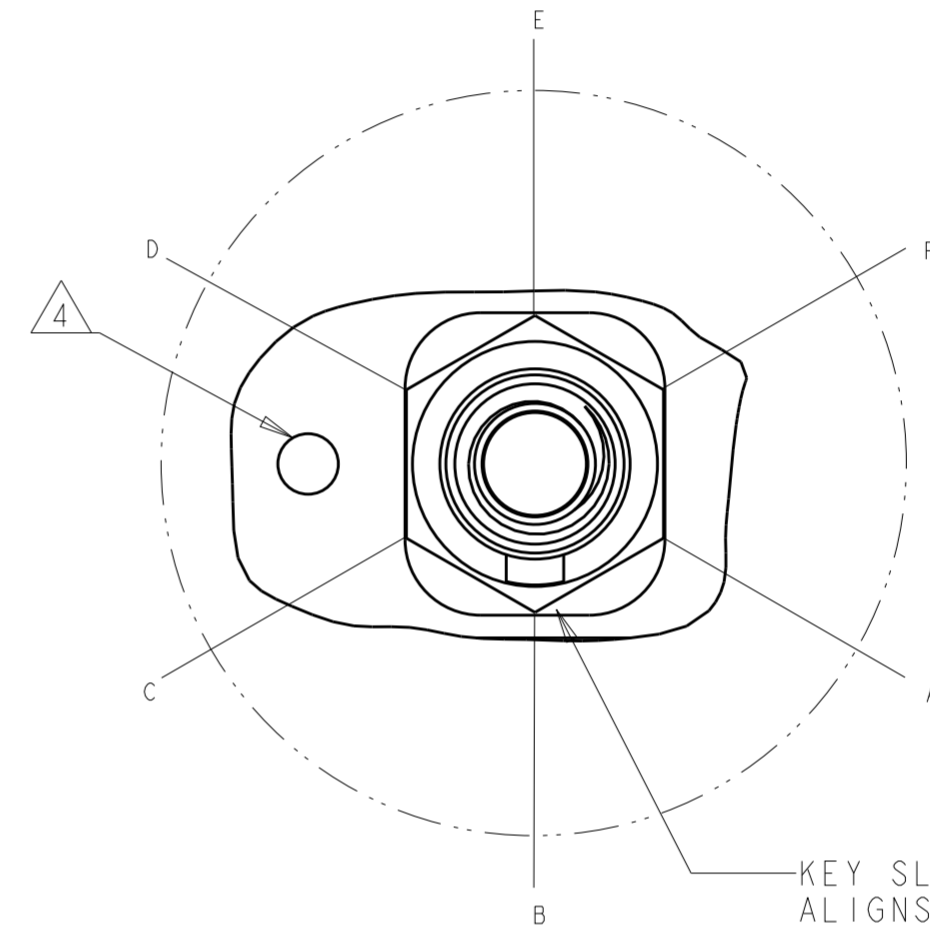
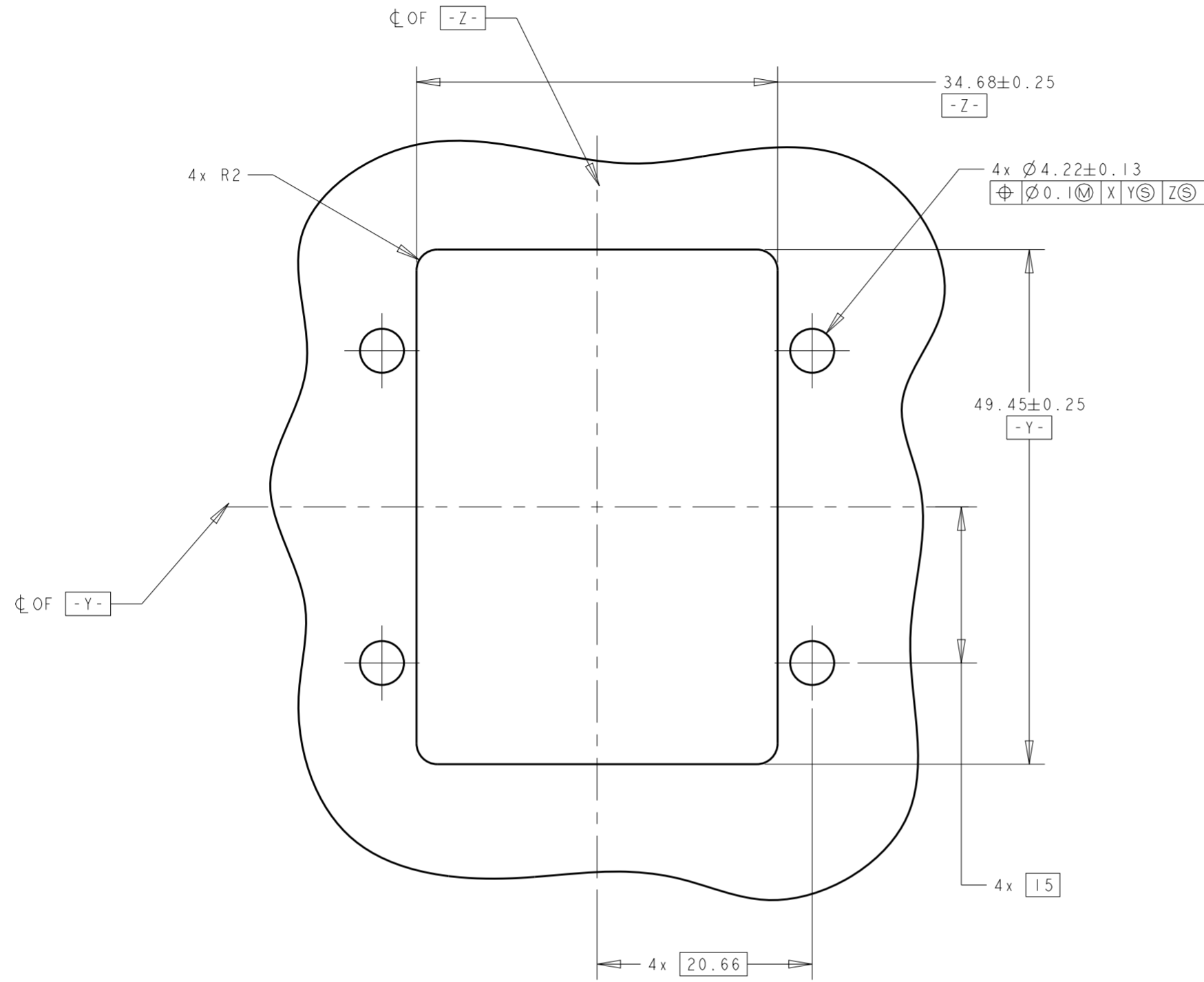
- 1 SHELL: ALUMINUM ALLOY 6061 T651
 INSERT RETENTION CLIP & GROUNDING SPRING: COPPER ALLOY PER ASTM B194
 JACKNUT & RETAINING NUT: STAINLESS STEEL PER AISI 316
 JACKNUT SPRING: STAINLESS STEEL PER AISI 302
 PROTECTIVE COVER: ANTI-STATIC THERMOPLASTIC ELASTOMER PER ASTM D5593, COLOR: BLACK.
- 2 SHELL: ELECTROLESS NICKEL PER SAE AMS-C-26074, CLASS 1
 GROUNDING SPRING: ELECTROLYTIC NICKEL PER SAE AMS-QQ-290
- 3 DATE CODE - YEAR & WEEK (YY WW).
- 4 INDEXING POINT FOR POLARIZATION.
- 5 6-32 SCREWS ARE REQUIRED FOR PANEL MOUNTING (NOT INCLUDED).
 SCREW HEAD DIAMETER: 8.5 MAX
 RECOMMENDED TORQUE 1.1 N·m [10 in-lb] MIN
- 6 6-32 THREADED HOLES ARE SELF-LOCKING, HAVING THE SPIRALOCK® THREAD FORM.
 SPIRALOCK® IS A REGISTERED TRADEMARK OF SPIRALOCK CORPORATION.
- 7 SHELL CAVITY FOR GPRB SERIES INSERTS WITH KEYING CODE A.
- 8 POLARIZATION FEATURE TO PREVENT FRONT PANEL MOUNTING.
- 9 PROTECTIVE COVER NOT SHOWN FOR CLARITY.
- 10 PANEL THICKNESS: 5 MAX
- 11 THE JACKNUT AND RETAINING NUT ARE SHIPPED UNASSEMBLED. THE CUSTOMER SHALL APPLY LOCTITE® PRODUCT 272 THREAD LOCKING ADHESIVE WHEN INSTALLING THESE ON THE SHELL ASSEMBLY. LOCTITE® IS A REGISTERED TRADEMARK OF HENKEL CORPORATION.
- 12 A SPANNER WRENCH TOOL, TYCO ELECTRONICS P/N 1738220-1 (WITH 1/4-IN ADAPTER) OR 1738221-1 (WITH T-HANDLE), IS USED TO LOCK THE RETAINING NUT.
 RECOMMENDED TORQUE: 1.5 N·m [13 in-lb].
- 13. PITCH FOR SIDE-BY-SIDE MOUNTING: 55.8mm MIN.
- 14. THIS PRODUCT IS SOLD BY TYCO ELECTRONICS UNDER A LICENSE FROM RADIAL SA.



| | | | | | |
|--|--|------------------|-----------|---|--|
| THIS DRAWING IS A CONTROLLED DOCUMENT. | | DWN BW | 24MAY2005 | TE Connectivity | |
| DIMENSIONS: mm | | CHK JPM | 24MAY2005 | | |
| TOLERANCES UNLESS OTHERWISE SPECIFIED: | | APVD JPM | 24MAY2005 | NAME RECEPTACLE SHELL KIT, VERTICAL, REAR PANEL MOUNT, WITH A-F JACKNUT, GPRB2 | |
| 0 PLC ±0.2 | | PRODUCT SPEC | | SIZE A2 | |
| 1 PLC ±0.2 | | APPLICATION SPEC | | CAGE CODE - | |
| 2 PLC ±0.2 | | WEIGHT | | DRAWING NO C-1877720 | |
| 3 PLC ± | | CUSTOMER DRAWING | | RESTRICTED TO - | |
| 4 PLC ± | | SCALE 2:1 | | SHEET 1 OF 2 | |
| ANGLES ± | | REV D | | | |
| FINISH | | | | | |

THIS DRAWING IS UNPUBLISHED. RELEASED FOR PUBLICATION 20
 © COPYRIGHT 20 BY - ALL RIGHTS RESERVED.

| REVISIONS | | | | |
|-----------|-----|-------------|------|------|
| P | LTR | DESCRIPTION | DATE | APVD |
| - | - | SEE SHEET 1 | - | - |
| | | | | |
| | | | | |



| | | | | |
|--|--|--|-----------|---|
| THIS DRAWING IS A CONTROLLED DOCUMENT. | | DWN BW | 24MAY2005 | TE Connectivity |
| DIMENSIONS: | | CHK | 24MAY2005 | |
| mm | | APVD | 24MAY2005 | |
| | | TOLERANCES UNLESS OTHERWISE SPECIFIED: | | NAME |
| 0 PLC ± 0.2 | | 1 PLC ± 0.2 | | RECEPTACLE SHELL KIT, VERTICAL, REAR PANEL MOUNT, WITH A-F JACKNUT, GPRB2 |
| 2 PLC ± 0.2 | | 3 PLC \pm | | SIZE |
| 4 PLC \pm | | ANGLES \pm | | A2 |
| FINISH | | MATERIAL | | CAGE CODE |
| - | | - | | - |
| - | | - | | DRAWING NO |
| - | | - | | C-1877720 |
| - | | - | | RESTRICTED TO |
| - | | - | | - |
| - | | - | | SCALE |
| - | | - | | 3:1 |
| - | | - | | SHEET |
| - | | - | | 2 OF 2 |
| - | | - | | REV |
| - | | - | | D |
| - | | - | | CUSTOMER DRAWING |