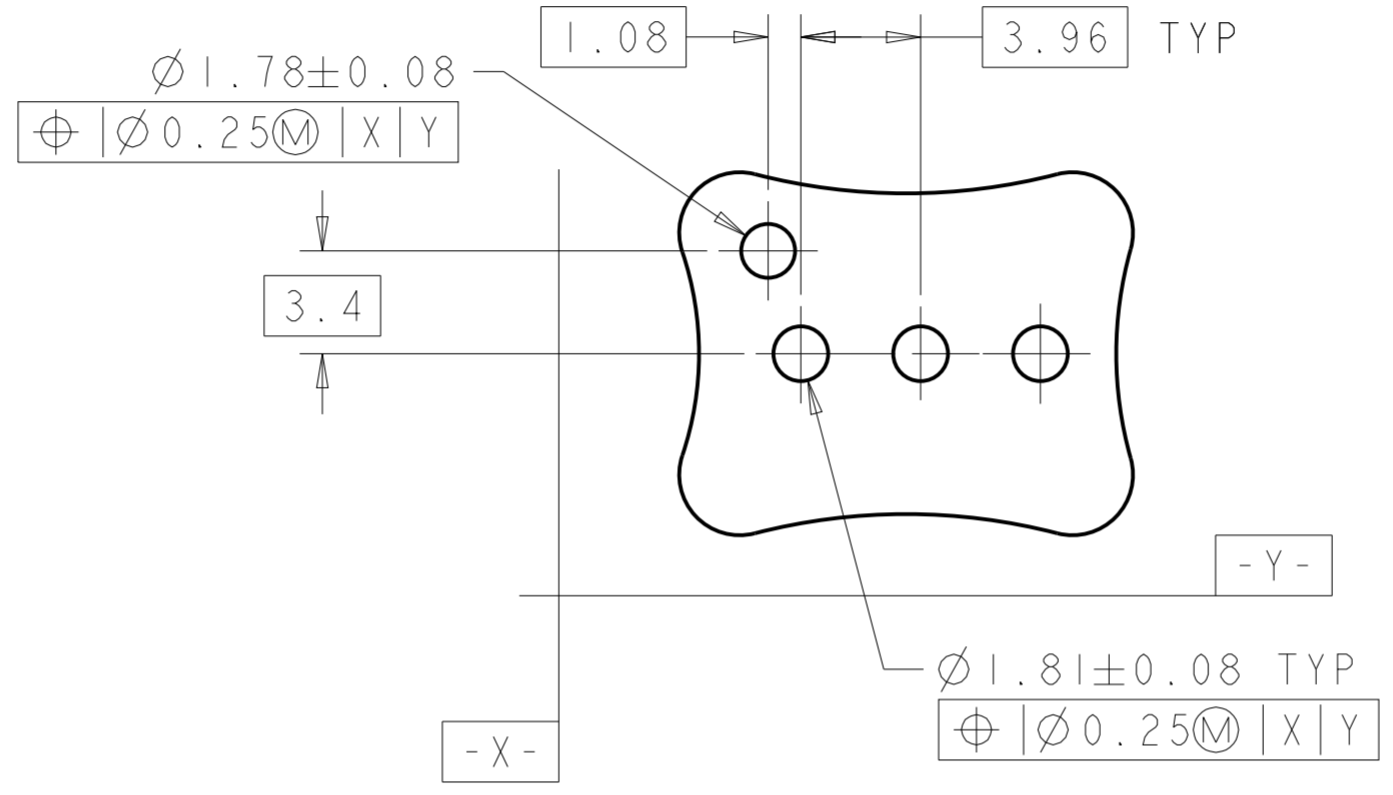
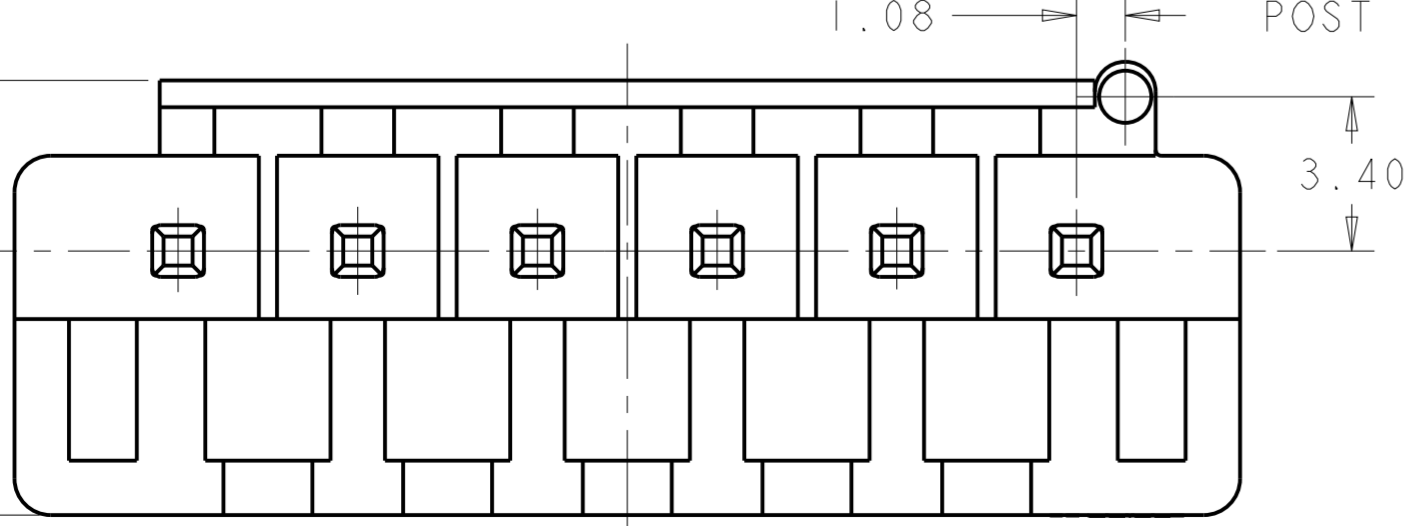
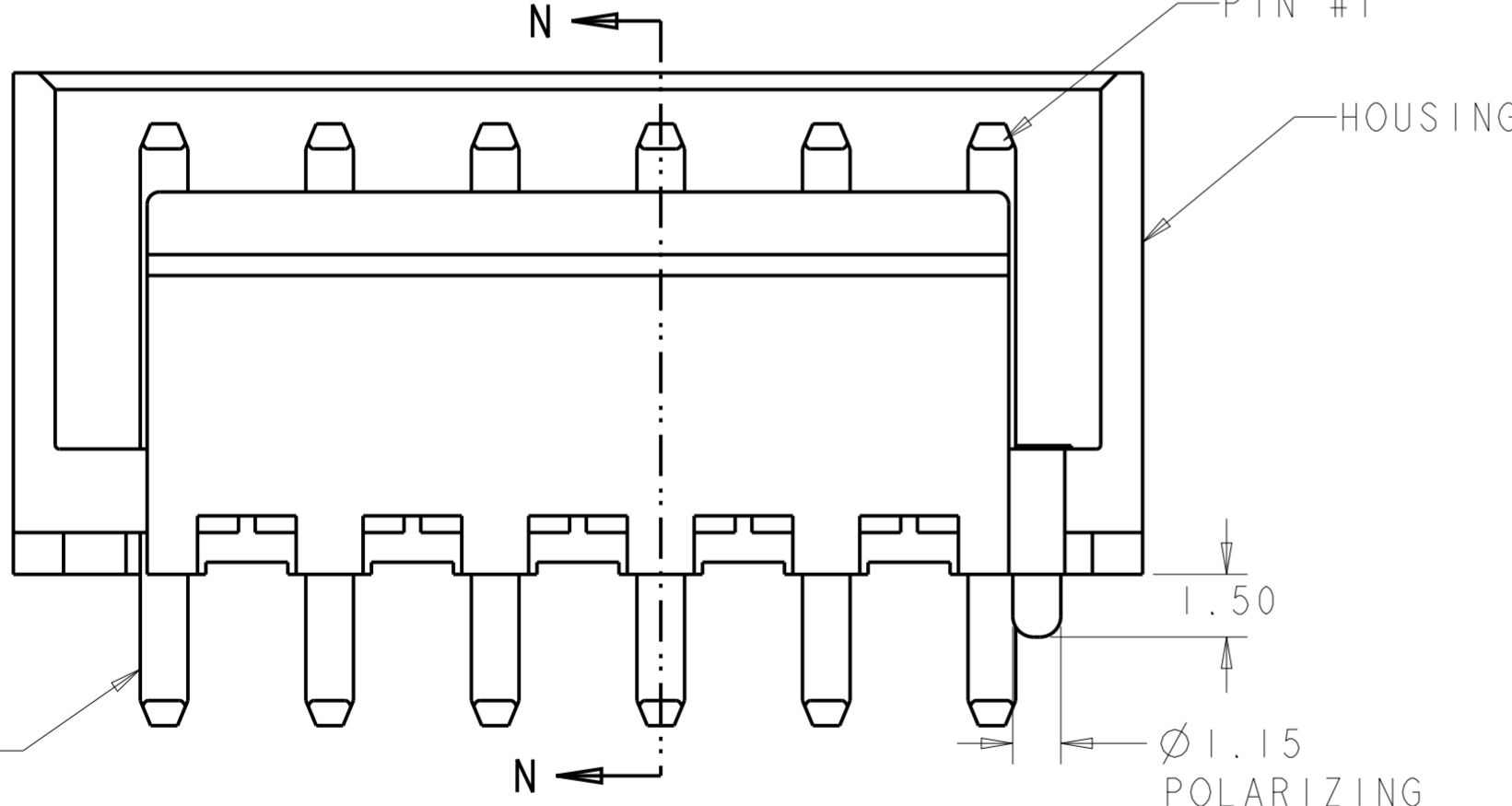
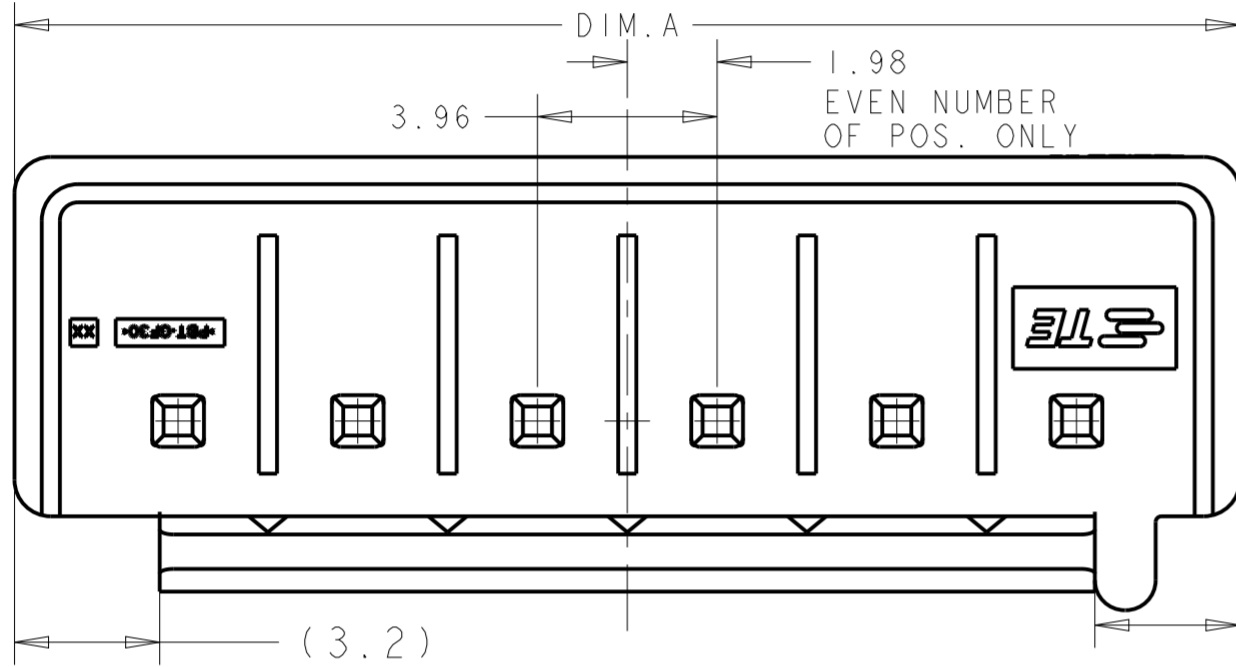
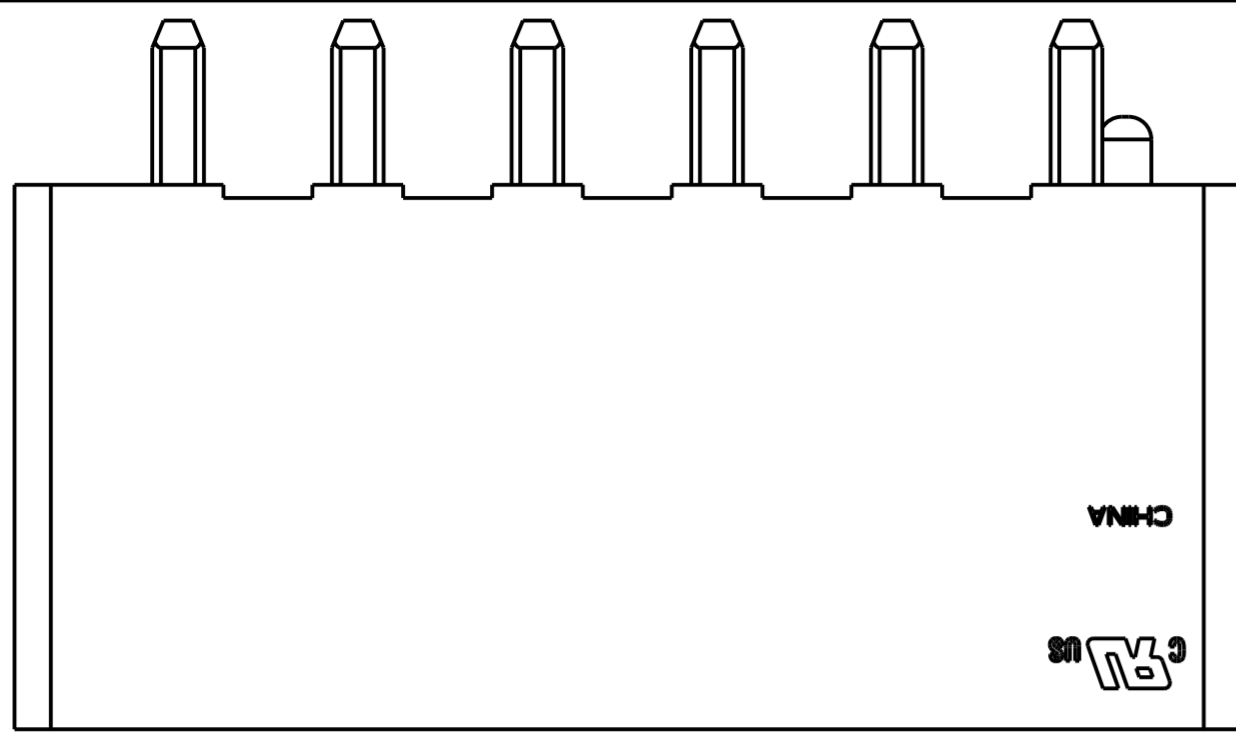


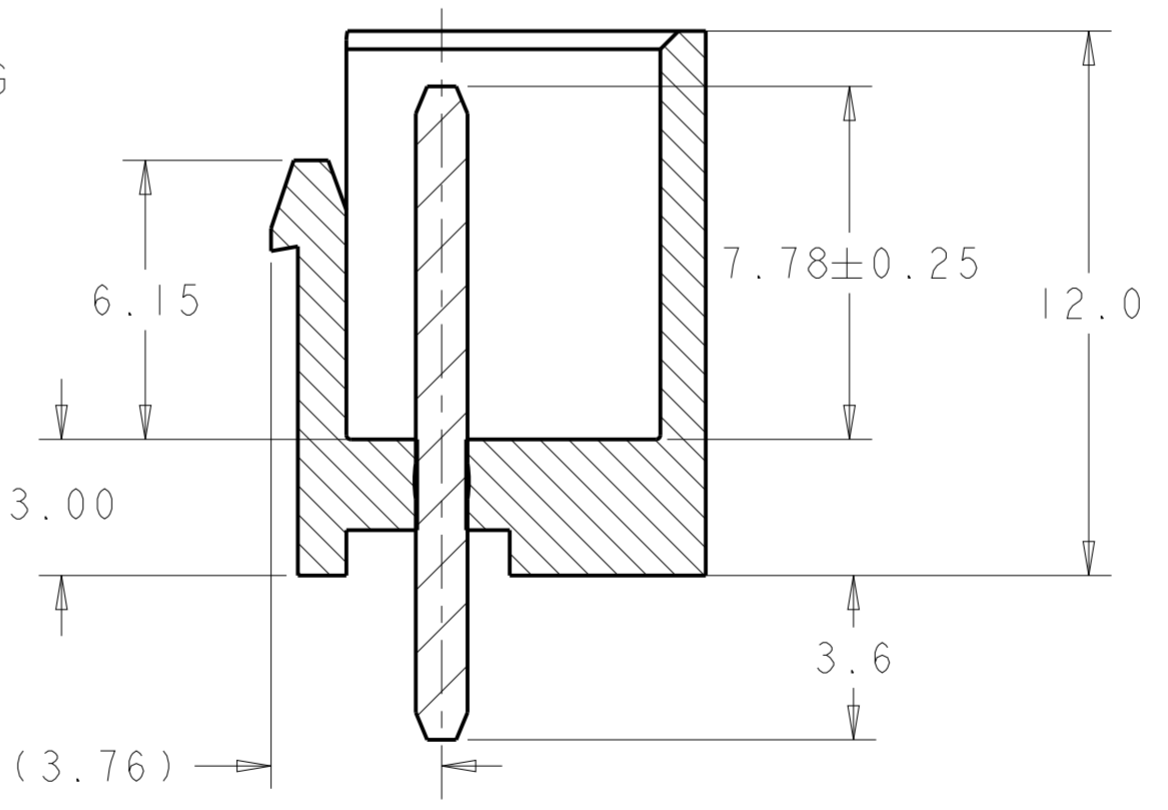
THIS DRAWING IS UNPUBLISHED. RELEASED FOR PUBLICATION 20
 BY - ALL RIGHTS RESERVED.

LOC	DIST	REVISIONS					
GP	00	P	LTR	DESCRIPTION	DATE	DWN	APVD
		D4		REVISED PER ECR-20-100406	16SEP2020	WH	DZ

- 1 MATERIAL: HOUSING; PBT GLASS FILLED UL94V-0
PIN; BRASS
- 2 FINISH: PIN, 1.0µm MIN TIN OVER 0.8µm MIN NICKEL.
- 3 SKETCH SHOWS NO PIN MISSING.
- 4 PRELIMINARY-NOT FOR PRODUCTION



RECOMMENDED PCB LAYOUT
SCALE 4:1



SECTION N-N

COLOR	DIM.A	OMIT PIN#	POS.	ASSEMBLY PART NO.	
WHITE	23.05	2&4	5	5-1877285-5	
WHITE	30.97		6	7	1-1877285-7
WHITE	23.05		4	5	4-1877285-5
WHITE	23.05		3	5	1-1877285-5
BLACK	50.77			12	3-1877285-2
BLACK	46.81			11	3-1877285-1
BLACK	42.85			10	3-1877285-0
BLACK	38.89			9	2-1877285-9
BLACK	34.93			8	2-1877285-8
BLACK	30.97			7	2-1877285-7
BLACK	27.01			6	2-1877285-6
BLACK	23.05			5	2-1877285-5
BLACK	19.09			4	2-1877285-4
BLACK	15.13			3	2-1877285-3
BLACK	11.17			2	2-1877285-2
WHITE	50.77			12	1-1877285-2
WHITE	46.81			11	1-1877285-1
WHITE	42.85			10	1-1877285-0
WHITE	38.89			9	1877285-9
WHITE	34.93			8	1877285-8
WHITE	30.97			7	1877285-7
WHITE	27.01			6	1877285-6
WHITE	23.05			5	1877285-5
WHITE	19.09			4	1877285-4
WHITE	15.13			3	1877285-3
WHITE	11.17			2	1877285-2

THIS DRAWING IS A CONTROLLED DOCUMENT.

DIMENSIONS: mm	TOLERANCES UNLESS OTHERWISE SPECIFIED:	DWN W.G. LENKER 03OCT2005	CHK R. WALKER 03OCT2005	APVD S. RIDGILL 10SEP2008	NAME
0 PLC ±	1 PLC ±0.50	PRODUCT SPEC	108-5609	SIZE	SHROUDED HEADER ASSEMBLY, 2 THRU 12 POSITION, SINGLE LATCH, 3.96mm PITCH, ECONOMY POWER (EP)
2 PLC ±0.30	3 PLC ±	APPLICATION SPEC	114-13265	CAGE CODE	
4 PLC ±	ANGLES ±	WEIGHT	-	DRAWING NO	RESTRICTED TO
FINISH		CUSTOMER DRAWING	A200779	G-1877285	SCALE

STE TE Connectivity

SHEET 1 OF 1 REV D4