

THIS DRAWING IS UNPUBLISHED.

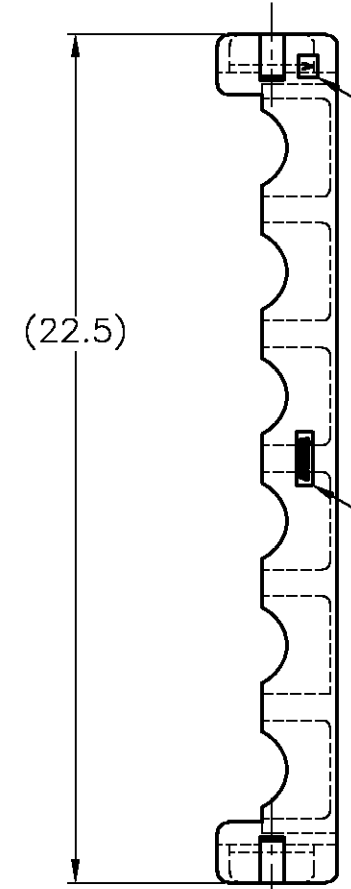
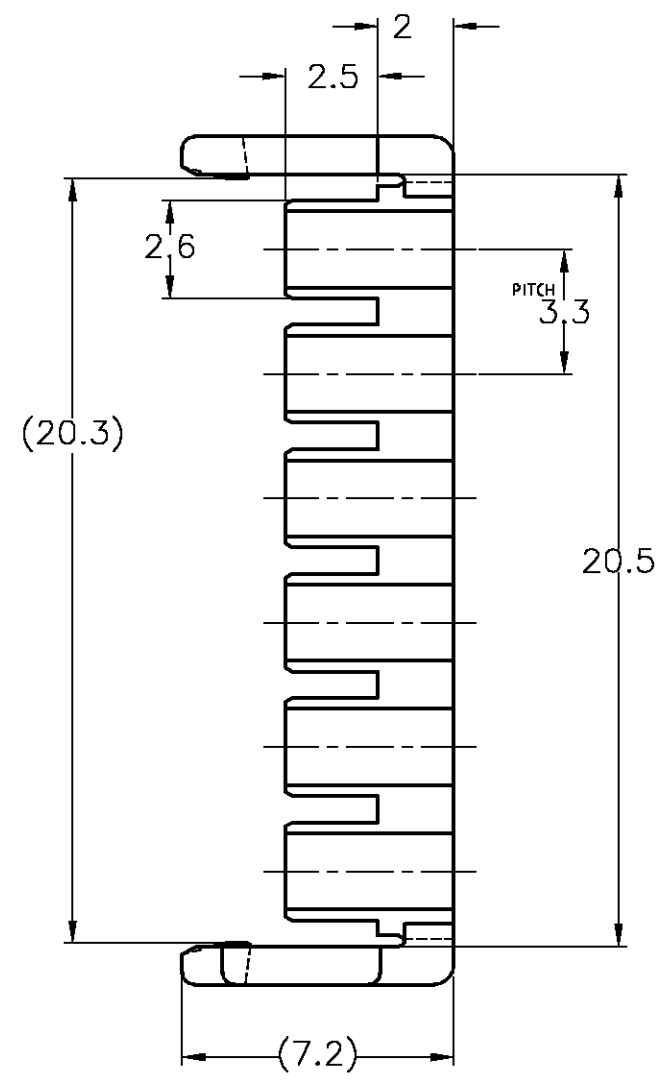
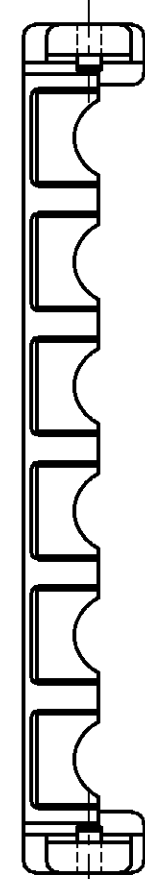
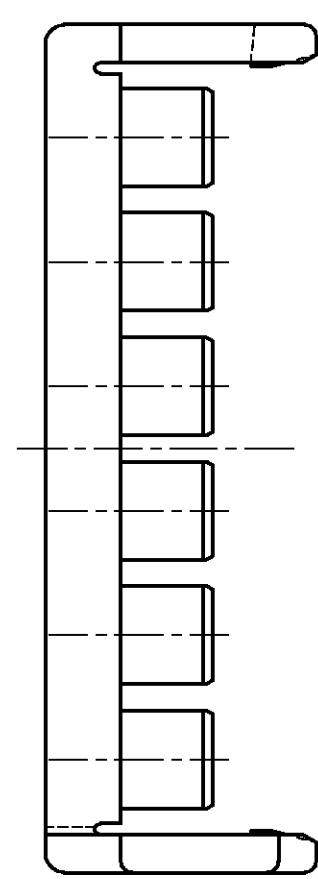
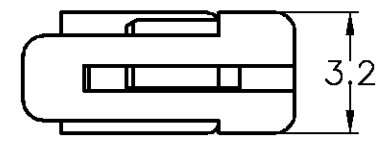
RELEASED FOR PUBLICATION

© COPYRIGHT BY TYCO ELECTRONICS CORPORATION. ALL RIGHTS RESERVED.

LOC J DIST -

REVISIONS

P	LTR	DESCRIPTION	DATE	DWN	APVD
1		PROPOSED	08SEP05	T.H	N.Y
2		REVISED ECR-05-015955	18NOV05	J.S	N.Y



キャビティマーク
CAVITY MARK

トレードマーク
TRADE MARK

PRELIMINARY DWG

TABLE

ダブルロックプレート (DOUBLE LOCK PLATE)	6/6ナイロンガラス強化 (6/6 NYLON GRASS FILLED)
名称 (NAME)	材料 (MATERIAL)

注

- 1. 適用製品型番
プラグハウジング: * -1871567-*
- 2. 適用電線範囲
電線被覆外径: φ 1.5~φ 2.0mm

NOTES

- 1. APPLICABLE P/N
PLUG HOUSING: * -1871567-*
- 2. APPLICABLE WIRE RANGE
INSULATION DIA: φ 1.5~φ 2.0mm

THIS DRAWING IS A CONTROLLED DOCUMENT.		DWN T.HATANO 21JUL2005	Tyco Electronics AMP K.K. Kawasaki, Japan	
DIMENSIONS: 単位: 耗 mm		CHK N.YAMASAKI 21JUL2005	NAME 名称	
TOLERANCES UNLESS OTHERWISE SPECIFIED: 一般公差		APVD N.YAMASAKI 21JUL2005	GRACE INERTIA CONNECTOR 3.3 DOUBLE LOCK PLATE 6POS. (1-ROW, M-TYPE)	
0 PLC ± 0.3		PRODUCT SPEC 製品規格	SIZE A3	CAGE CODE 00779
1 PLC ± 0.3		APPLICATION SPEC 取付適用規格	DRAWING NO 番号	RESTRICTED TO
2 PLC ± -		WEIGHT -	C-1871824	
3 PLC ± -		CUSTOMER DRAWING		
4 PLC ± -		SCALE 尺度 5:1	SHEET 1 OF 1	REV 2
ANGLES ± -				
FINISH 仕上 -				
MATERIAL 材料 SEE TABLE				