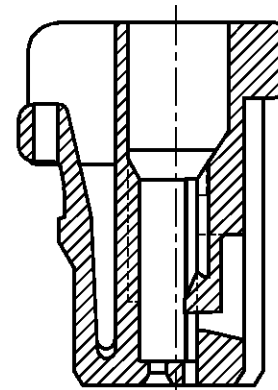
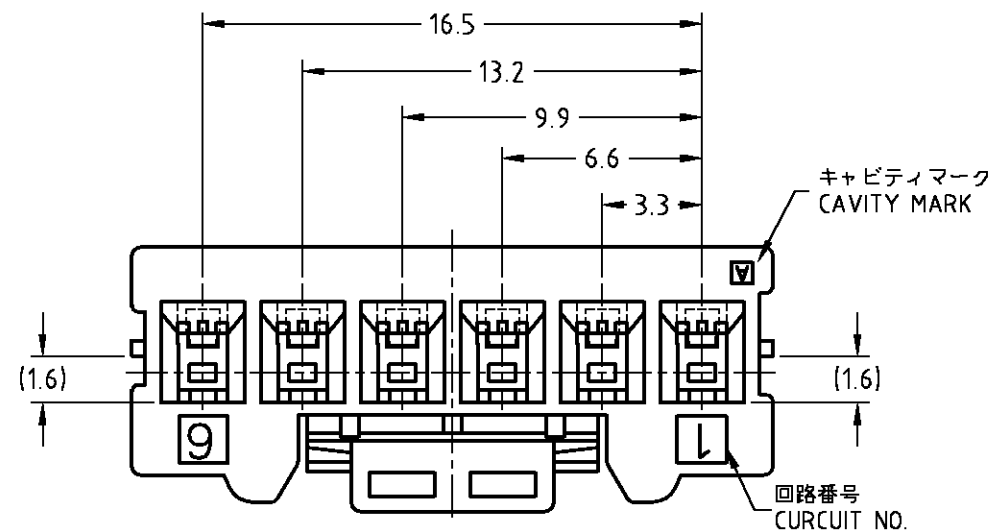


THIS DRAWING IS UNPUBLISHED. RELEASED FOR PUBLICATION
 © COPYRIGHT BY TYCO ELECTRONICS CORPORATION. ALL RIGHTS RESERVED.

LOC	DIST	REVISIONS					
		P	LTR	DESCRIPTION	DATE	DWN	APVD
J	—		A	RELEASED ECR-06-004342	22FEB'06	J.S	N.Y

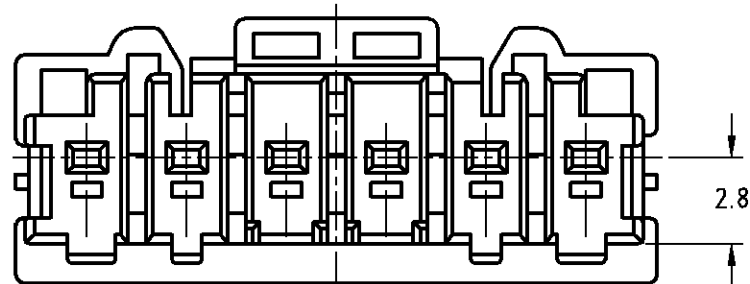
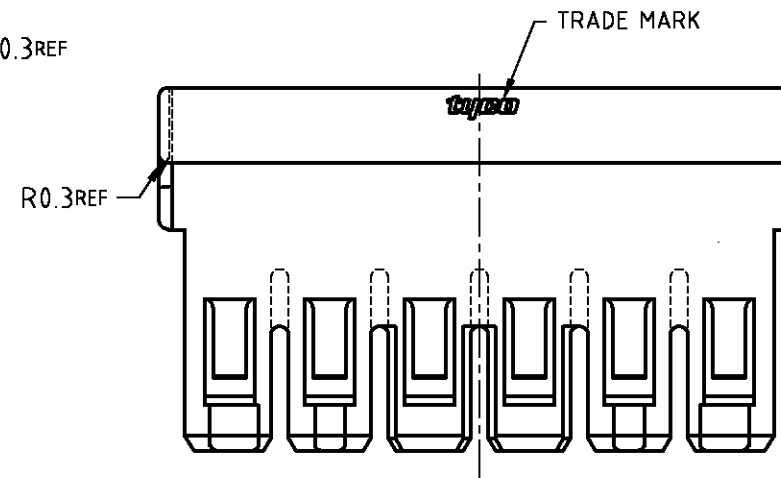
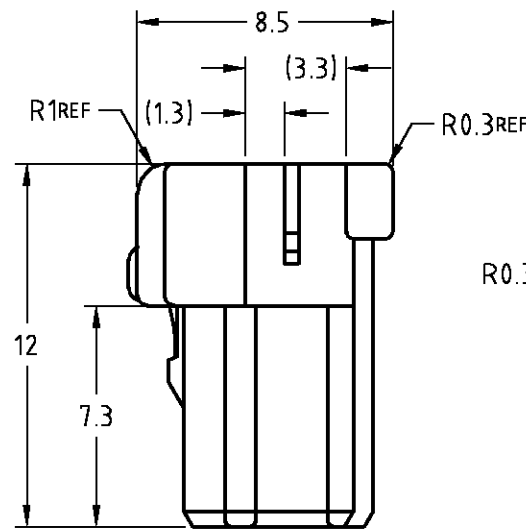
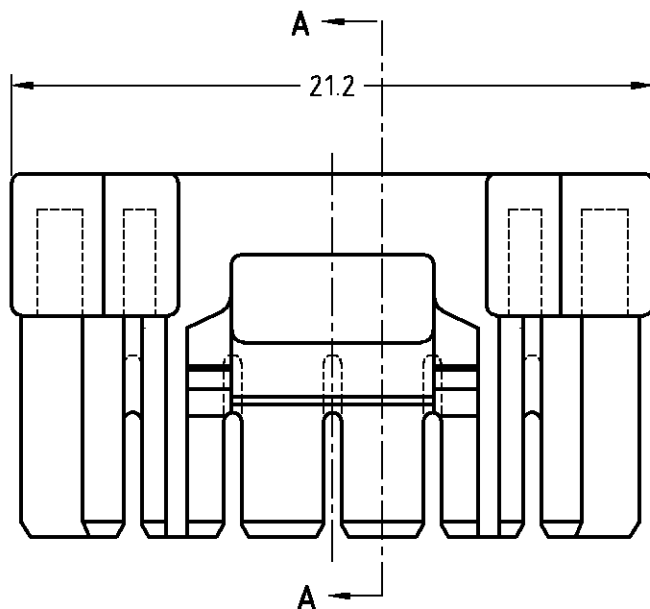
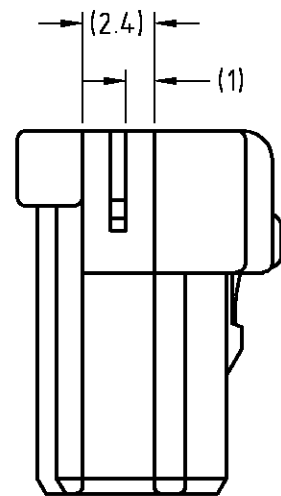


TABLE

プラグハウジング (PLUG HOUSING)	6/6ナイロンガラス強化UL94V-0 (6/6 NYLON GRASS FILLED) UL94V-0
名称 (NAME)	材料 (MATERIAL)

注
 ▲ かん合相手製品型番：
 ヘッダーアッセンブリ：SEE TABLE
 リセコンタクト：1827395-1

NOTES
 ▲ MATING CONN.P/N
 HEADER ASSEMBLY:SEE TABLE
 REC CONTACT:1827395-1



* -1871568-1	NATURAL	1871567-1
MATING CONN.P/N ▲	COLOR	PART NUMBER

THIS DRAWING IS A CONTROLLED DOCUMENT.		DWN T.HATANO 22FEB2006	Tyco Electronics AMP K.K. Kawasaki, Japan	
DIMENSIONS: 単位： 概 mm		CHK N.YAMASAKI 22FEB2006		
TOLERANCES UNLESS OTHERWISE SPECIFIED: 一般公差		APVD N.YAMASAKI 22FEB2006	NAME 名称 GRACE INERTIA CONNECTOR 3.3 PLUG HOUSING 6POS 1ROW	
0 PLC ± 0.3		PRODUCT SPEC 製品規格 108-78231	SIZE A3 CAGE CODE 00779 DRAWING NO 番号 C-1871567 RESTRICTED TO	
1 PLC ± 0.3		APPLICATION SPEC 取付適用規格 114-5372	SCALE 尺度 4:1 SHEET 1 OF 1 REV A	
2 PLC ± -		WEIGHT -	CUSTOMER DRAWING	
3 PLC ± -				
4 PLC ± -				
ANGLES ±				
FINISH 仕上 -				
MATERIAL 材料 SEE TABLE				