

4

3

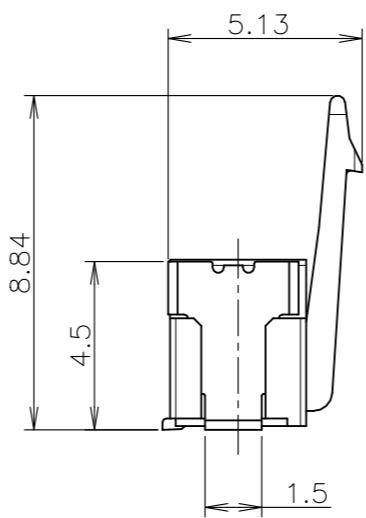
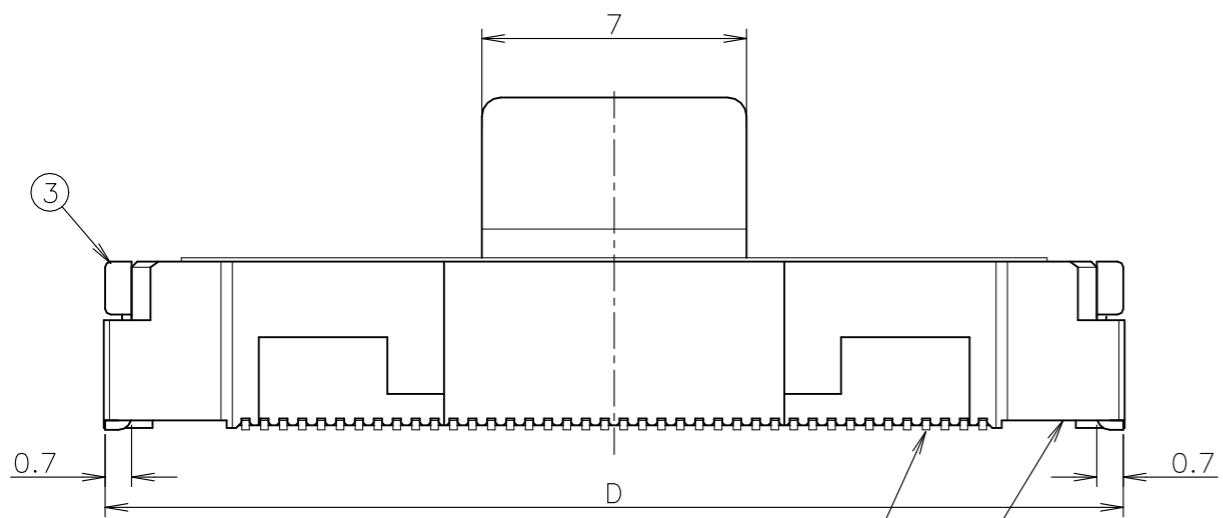
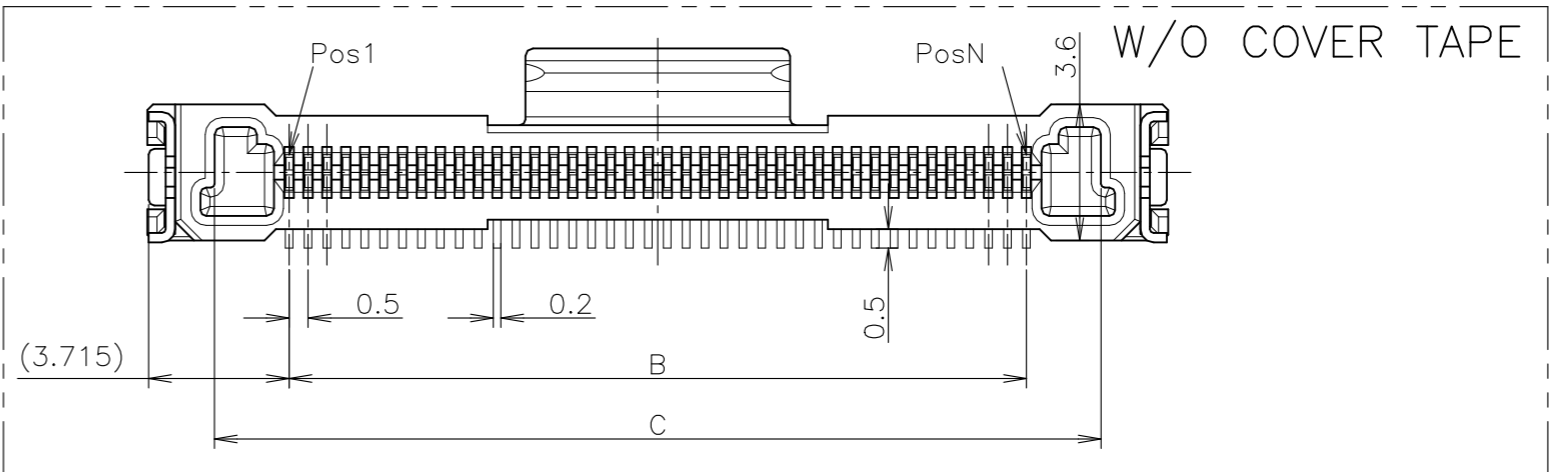
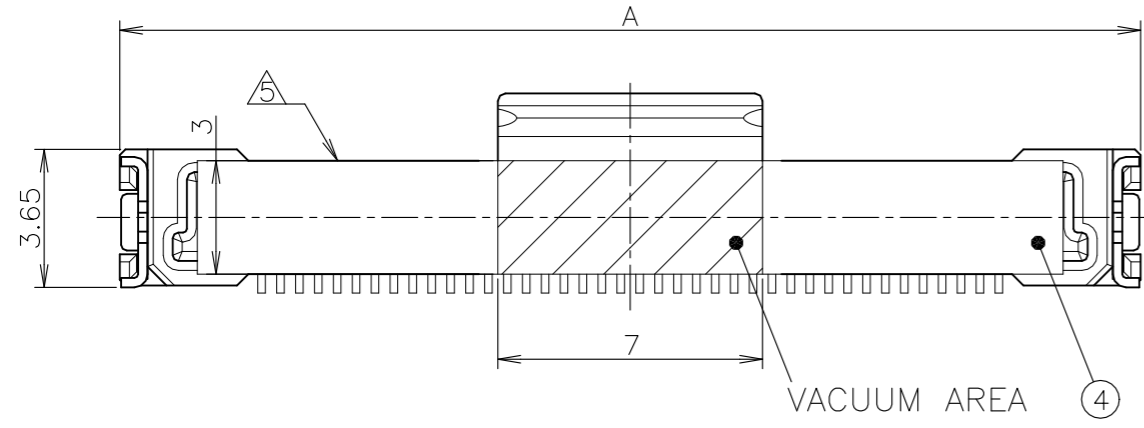
2

1

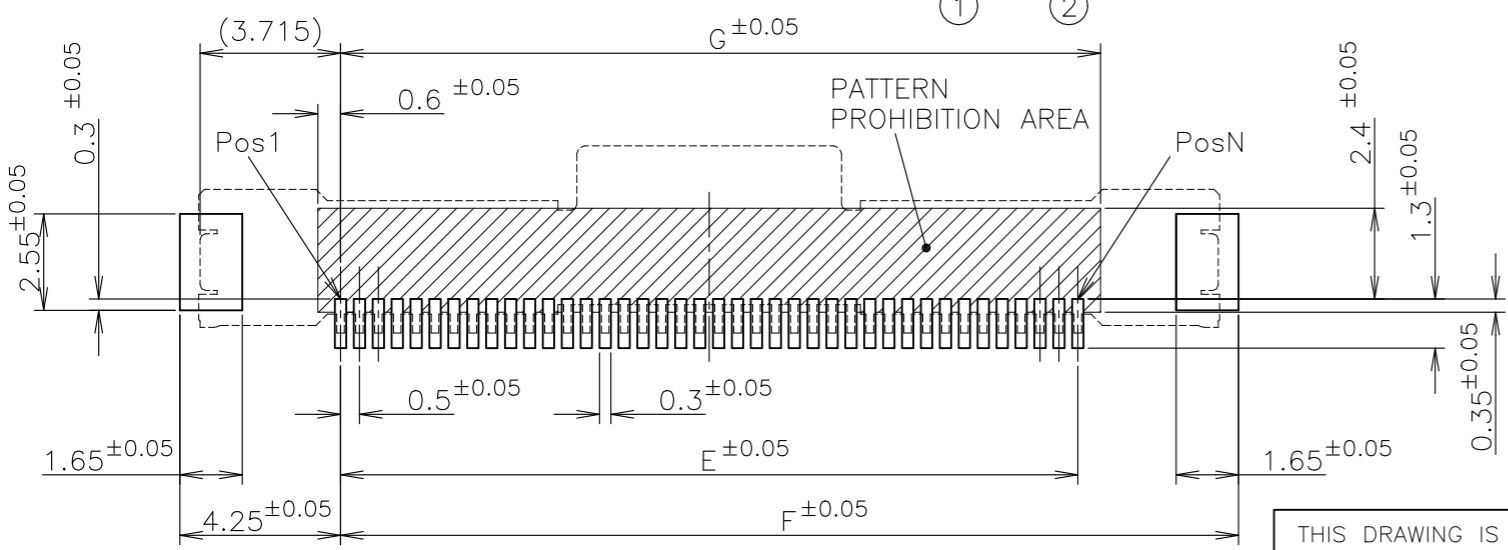
TE Connectivity. All Rights Reserved.

REVISIONS

P	LTR	DESCRIPTION	DATE	DWN	APVD
B1		OBSOLETED	23NOV2020	H.X	W.H



- NOTE
- 1 GENERAL TOLERANCE : ±0.3, ±3°
  - △ MATERIAL  
CONTACT : COPPER ALLOY  
HOUSING : LCP(GRAY)  
PEG : COPPER ALLOY  
COVER TAPE : POLYIMIDE FILM
  - △ CONTACT FINISH  
Ni UNDER PLATE, Au PLATE
  - △ PEG FINISH  
Ni UNDER PLATE, Sn PLATE
  - △ tyco MARK



OBSOLETED  
OBSOLETED

G	F	E	D	C	B	A	POS	PART NUMBER
40.1	43.75	39.5	46.93	43.45	39.5	47	80	1871334-3
20.1	23.75	19.5	26.93	23.45	19.5	27	40	1871334-1

1	△	COVER TAPE	④
2	△	PEG	③
1	△	HOUSING	②
N	△	CONTACT	①
-1,-3		FINISH NAME	ITEM

PCB DIMENSION(REF.)

THIS DRAWING IS A CONTROLLED DOCUMENT.

DIMENSIONS: 単位: 耗 mm	TOLERANCES UNLESS OTHERWISE SPECIFIED: 一般公差
0 PLC	±
1 PLC	±
2 PLC	±
3 PLC	±
4 PLC	±
ANGLES	±

MATERIAL 材料	FINISH 仕上
△	△ △

DWN	T.SEKINE	29NOV05
CHK	T.FUTATSUGI	29NOV05
APVD	Y.YAMAMOTO	29NOV05
PRODUCT SPEC 製品規格	108-78322	
APPLICATION SPEC 取付適用規格	411-78220	
WEIGHT		

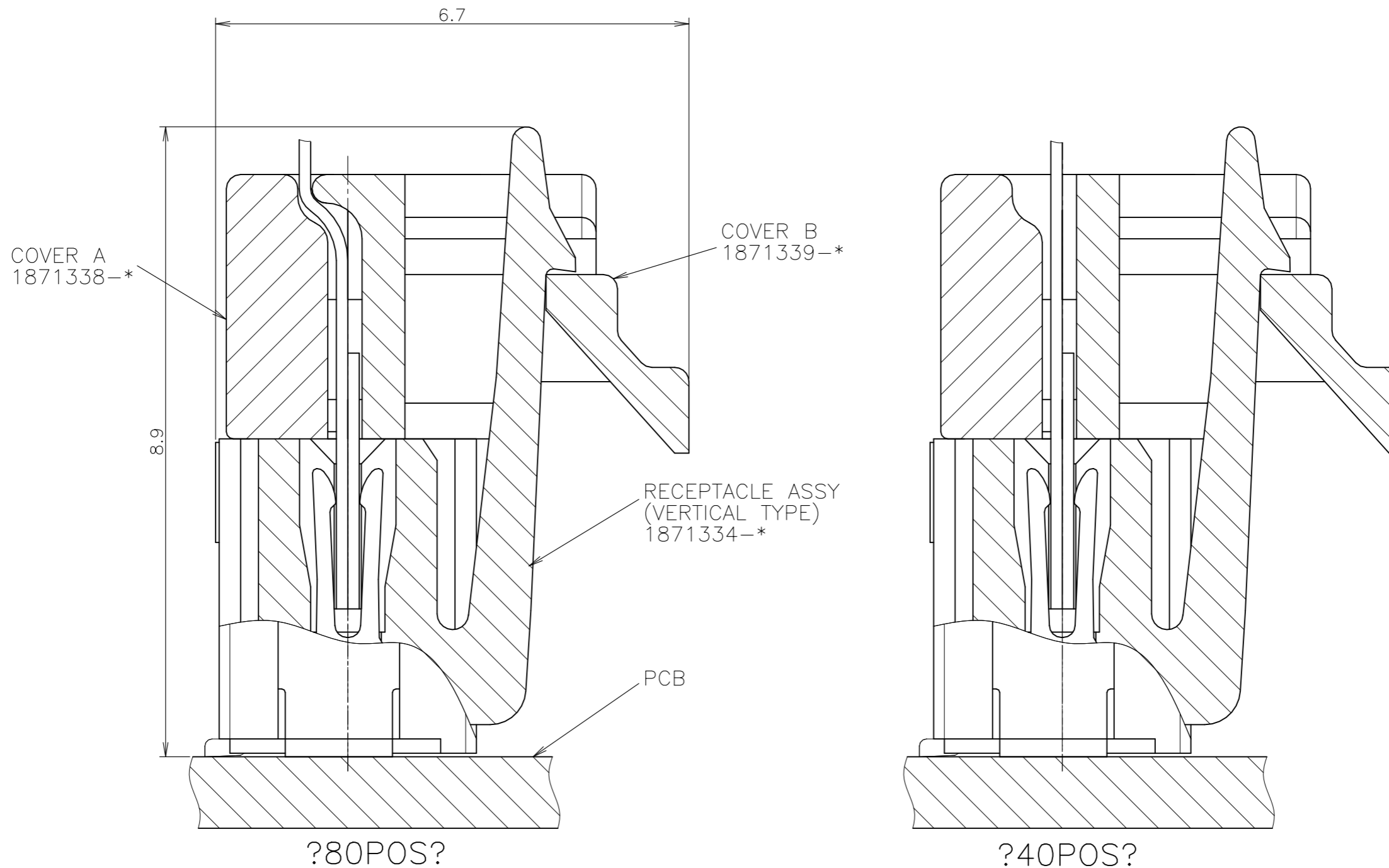
**STE** TE Connectivity Ltd.

NAME 名称: FFC EASY MATING CONNECTOR,0.5mm PITCH RECEPTACLE ASSY (VERTICAL TYPE)


SIZE	CAGE CODE	DRAWING NO 番号	RESTRICTED TO
A3	00779	C-1871334	-

CUSTOMER DRAWING SCALE 5:1 SHEET 1 OF 3 REV B1

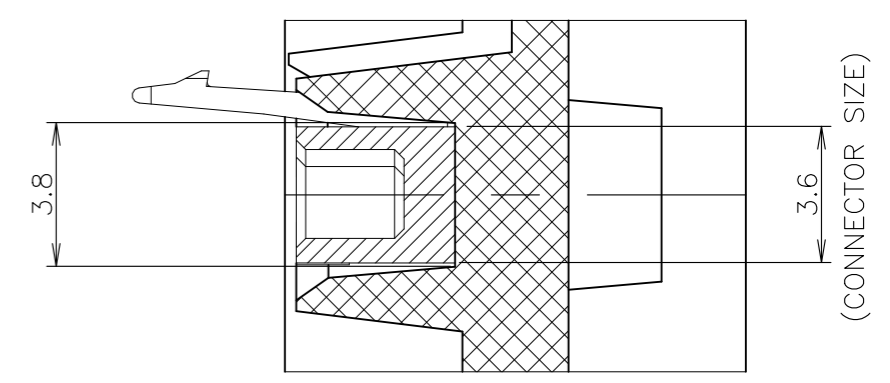
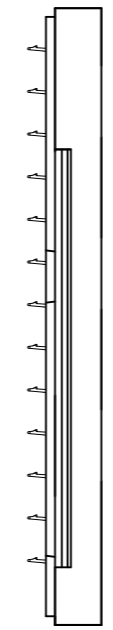
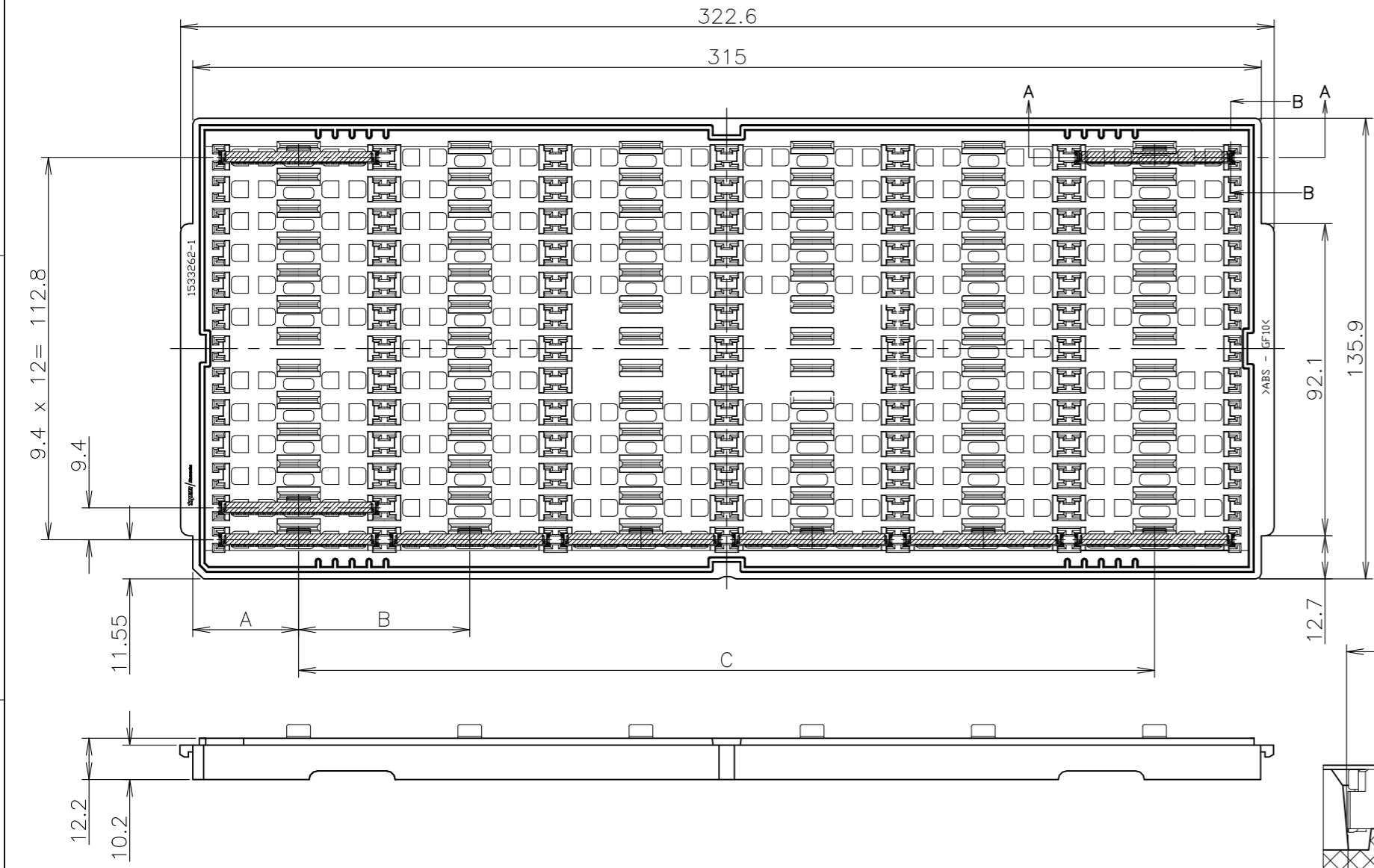
P	LTR	DESCRIPTION	DATE	DWN	APVD
-	-	SEE SHEET 1	-	-	-



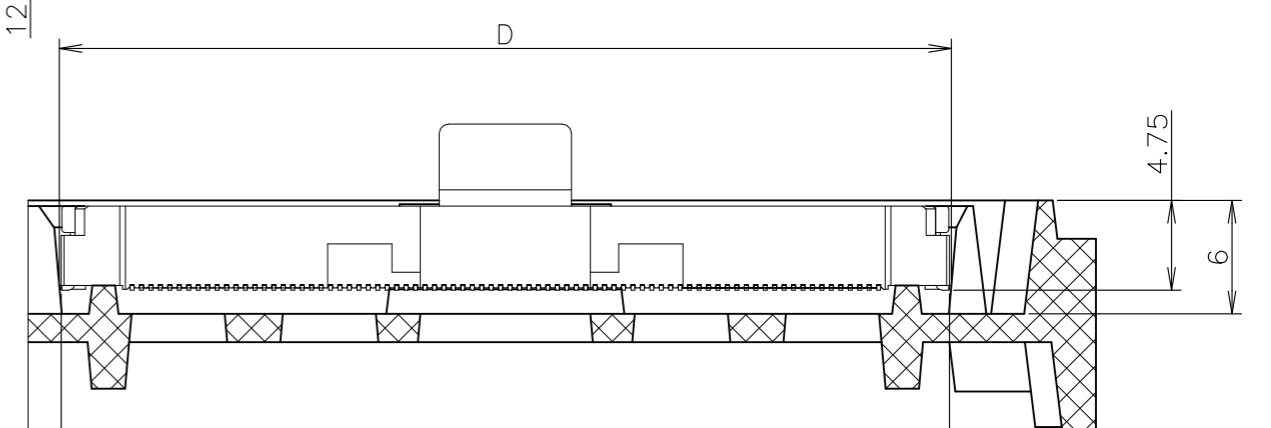
MATING CONDITION

THIS DRAWING IS A CONTROLLED DOCUMENT.		DWN	 TE Connectivity Ltd.		
DIMENSIONS: 单位: 耗 mm		CHK			
TOLERANCES UNLESS OTHERWISE SPECIFIED: 一般公差		APVD	NAME 名称 FFC EASY MATING CONNECTOR,0.5mm PITCH RECEPTACLE ASSY (VERTICAL TYPE)		
0 PLC ± 1 PLC ± 2 PLC ± 3 PLC ± 4 PLC ± ANGLES ±		PRODUCT SPEC 製品規格	SIZE A3		
MATERIAL 材料		APPLICATION SPEC 取付適用規格	CAGE CODE 00779	DRAWING NO 番号 C-1871334	RESTRICTED TO
FINISH 仕上		WEIGHT	SCALE 尺度 15:1		SHEET 2 of 3
CUSTOMER DRAWING			REV B1		

REVISIONS 変更					
P	LTR	DESCRIPTION	DATE	DWN	APVD
-	-	SEE SHEET 1	-	-	-



SECT.B-B



(CONNECTOR SIZE)  
SECT.A-A

QUANTITY/TRAY	E	D	C	B	A	POS	PART NUMBER
78	47	47.2	252.5	50.5	31.25	80	1871334-3
130	27	27.2	262.8	29.2	26.1	40	1871334-1

THIS DRAWING IS A CONTROLLED DOCUMENT.		DWN	<b>STE</b> TE Connectivity Ltd.	
DIMENSIONS: 単位: 耗 mm		CHK		
TOLERANCES UNLESS OTHERWISE SPECIFIED: 一般公差		APVD	NAME 名称 FFC EASY MATING CONNECTOR,0.5mm PITCH RECEPTACLE ASSY (VERTICAL TYPE)	
0 PLC ±		PRODUCT SPEC 製品規格	SIZE	
1 PLC ±		APPLICATION SPEC 取付適用規格	CAGE CODE	
2 PLC ±		WEIGHT	DRAWING NO 番号	
3 PLC ±		CUSTOMER DRAWING	A3 00779 C-1871334	
4 PLC ±			SCALE 尺度	SHEET
ANGLES ±			NTS	3 of 3
FINISH 仕上				B1
MATERIAL 材料				