

4

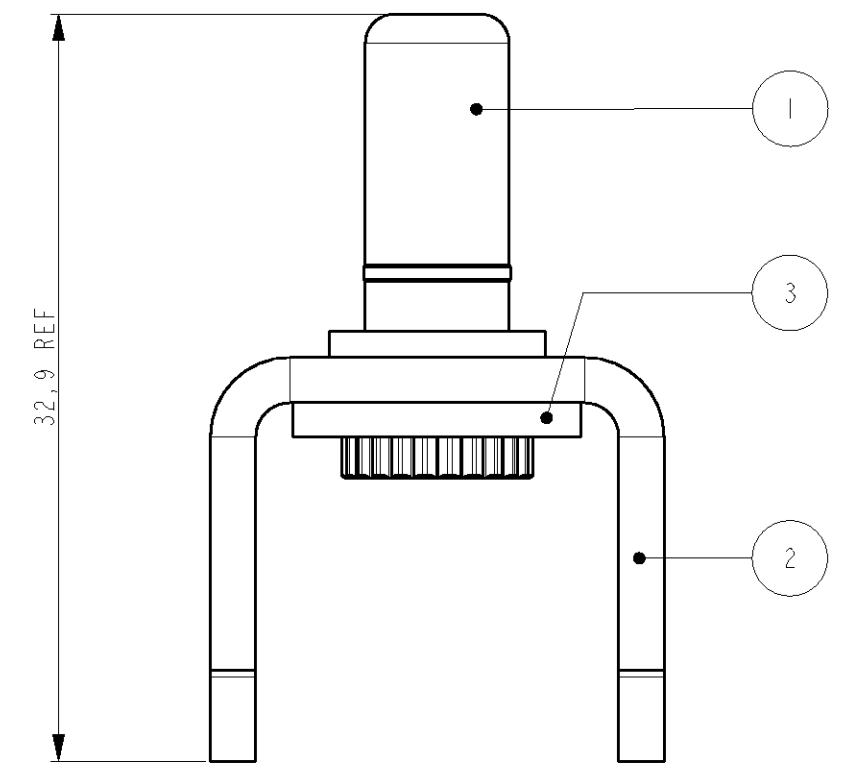
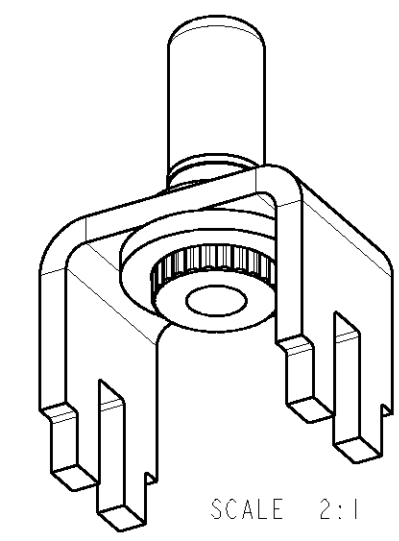
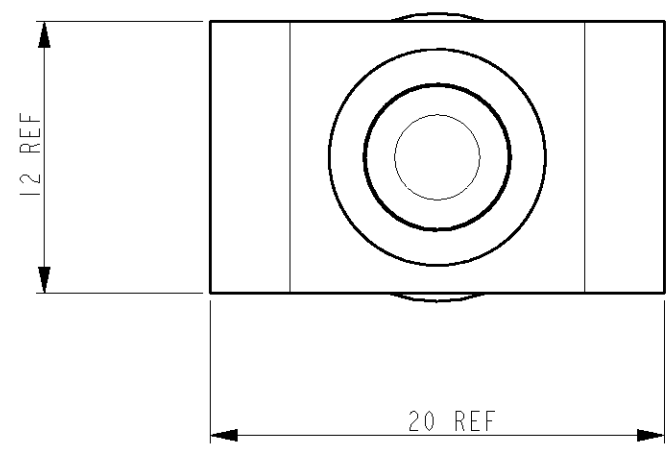
3

2

1

THIS DRAWING IS UNPUBLISHED. RELEASED FOR PUBLICATION 20  
 © COPYRIGHT 20 BY TYCO ELECTRONICS CORPORATION. ALL RIGHTS RESERVED.

LOC	DIST	REVISIONS					
H	-	P	LTR	DESCRIPTION	DATE	DWN	APVD
			A	RELEASED	28MAR2007	RD	RL
			B	ECR-07-013006	01JUN2007	RD	RL
			C	ECR-08-017970	17JUL2008	JvdH	RL



NOTES:

- ① 5,0µm MIN. SILVER OVER 1,0µm MIN. NICKEL
- ② 0,5µm MIN. GOLD OVER 1,0µm MIN. NICKEL
- ③ 4-15µm TIN (MINIMUM IN AREA OF PINS) OVER 1,2µm MIN. NICKEL
- ④ 1,0µm MIN. NICKEL

ITEM NO.	DESCRIPTION	MATERIAL	FINISH	QUANTITY
3	SWAGE WASHER 1,5MM THICK	STEEL	④	1
2	STRIP	COPPER ALLOY	③	1
1	CONTACT PIN SIZE #4	COPPER ALLOY	②	1
1	CONTACT PIN SIZE #4	COPPER ALLOY	①	1

THIS DRAWING IS A CONTROLLED DOCUMENT FOR TYCO ELECTRONICS CORPORATION  
 IT IS SUBJECT TO CHANGE AND THE CONTROLLING ENGINEERING ORGANIZATION  
 SHOULD BE CONTACTED FOR THE LATEST REVISION.

DOWNSIDE		DWN	J. van Hoek	14AUG2006
CHECKED		CHK	R. Daamen	17AUG2006
APPROVED		APVD	J. Broeksteeg	17AUG2006
PRODUCT SPEC				
APPLICATION SPEC				
WEIGHT				
MATERIAL				
FINISH				

		Tyco Electronics Nederland BV 's-Hertogenbosch, The Netherlands	
NAME <b>BUSBAR WITH CONTACT PIN SIZE #4 SWAGE MOUNTED</b>			
SIZE	CAGE CODE	DRAWING NO	RESTRICTED TO
A3	00779	1857924	-
CUSTOMER DRAWING		SCALE	SHEET OF REV
		3:1	1 OF 1 C

1857924-1  
1857924-2