

THIS DRAWING IS UNPUBLISHED.

RELEASED FOR PUBLICATION

2011

LOC

DIST

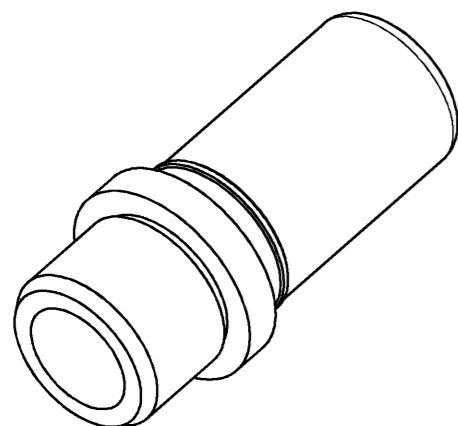
REVISIONS

© COPYRIGHT 2011 BY TYCO ELECTRONICS CORPORATION. ALL INTERNATIONAL RIGHTS RESERVED.

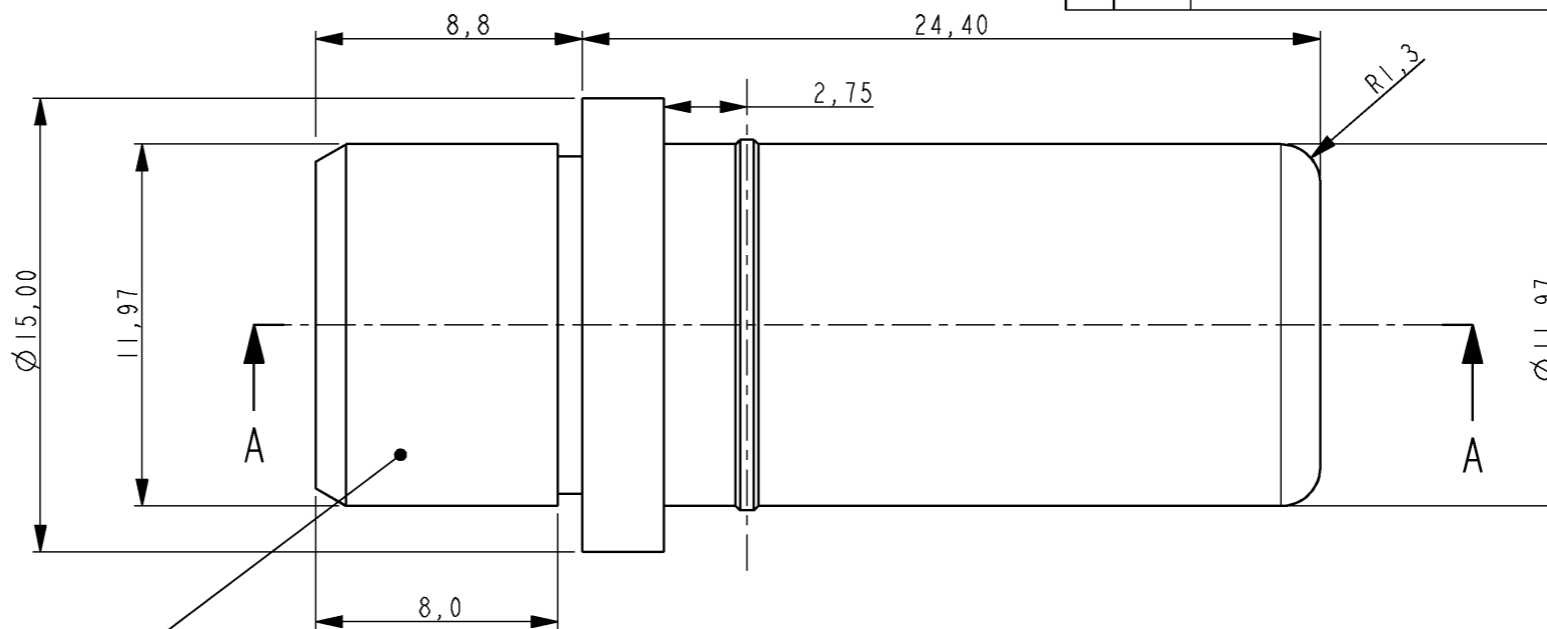
IR

-

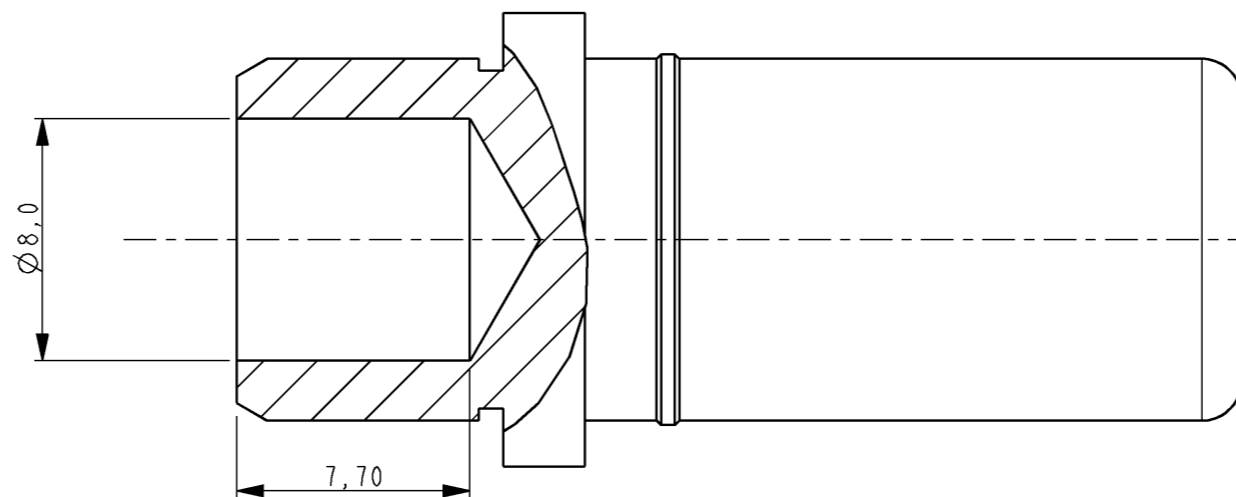
P	LTR	DESCRIPTION	DATE	DWN	APVD
	A	FIRST ISSUE	31JAN2011	PS	PKS



SCALE 2:1



STRAIGHT ROLLED KNURL



SECTION A-A

NOTES:

- 1 MATERIAL: COPPER ALLOY
- 2 BATCH ANNEAL BEFORE PLATING AND CLEAN AS NEEDED.
- 3 PLATING: SILVER OVER NICKEL .
- 4 ALL DIMENSIONS APPLY AFTER PLATING.
- 5 BREAK ALL SHARP EDGES TO 0,25 MAX.

3	2	1857523-2	1857523-3
		1857523-1	1857523-2
			1857523-1
PLATING	ANNEALED	MATERIAL	PARTNUMBER

THIS DRAWING IS A CONTROLLED DOCUMENT FOR TYCO ELECTRONICS CORPORATION IT IS SUBJECT TO CHANGE AND THE CONTROLLING ENGINEERING ORGANIZATION SHOULD BE CONTACTED FOR THE LATEST REVISION.

DIMENSIONS: mm		TOLERANCES UNLESS OTHERWISE SPECIFIED:	
		0 PLC	±-
		1 PLC	±0.25
		2 PLC	±0.15
		3 PLC	±-
		4 PLC	±-
MATERIAL		FINISH	
-		-	

DWN	Praduth	31Jan2011
CHK	Senthil	01Feb2011
APVD	Senthil	01Feb2011
PRODUCT SPEC	-	
APPLICATION SPEC	-	
WEIGHT	-	
CUSTOMER DRAWING		

Tyco Electronics Corporation Bangalore, INDIA		NAME	
-		RAPID LOCK PIN 12MM	
SIZE	CAGE CODE	DRAWING NO	RESTRICTED TO
A3	00779	1857523	-
SCALE 4:1		SHEET 1 OF 1	REV A