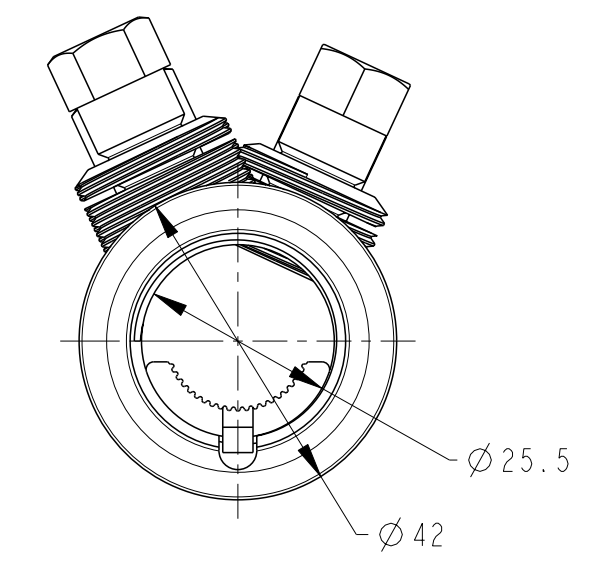
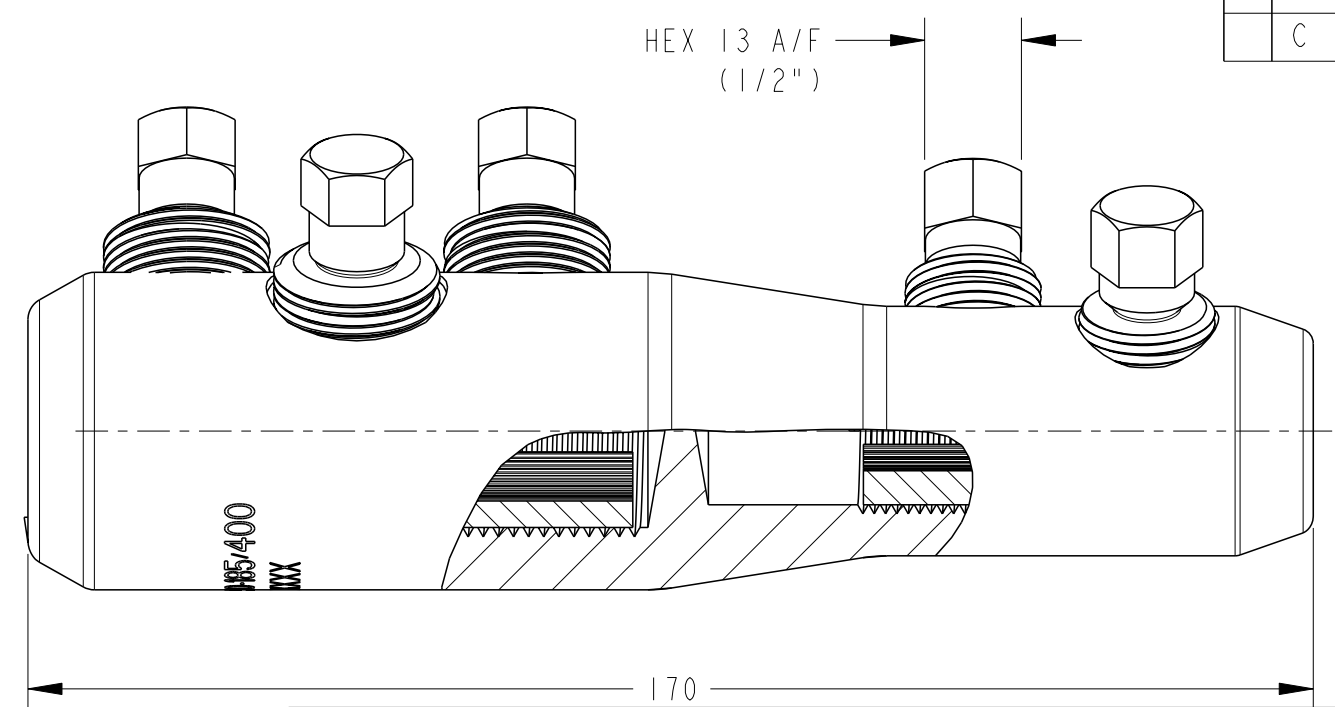
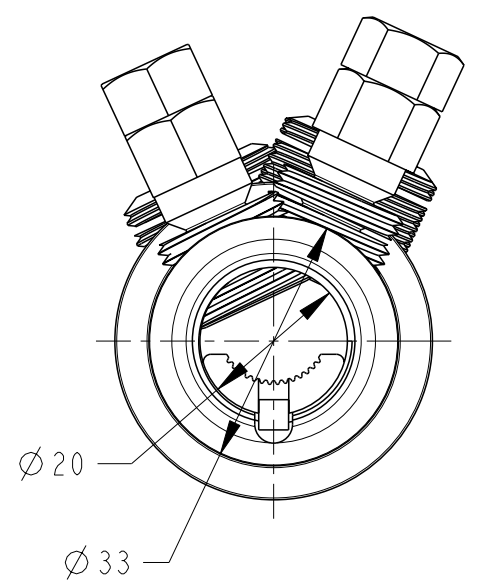


© 2020 TE Connectivity. All Rights Reserved.

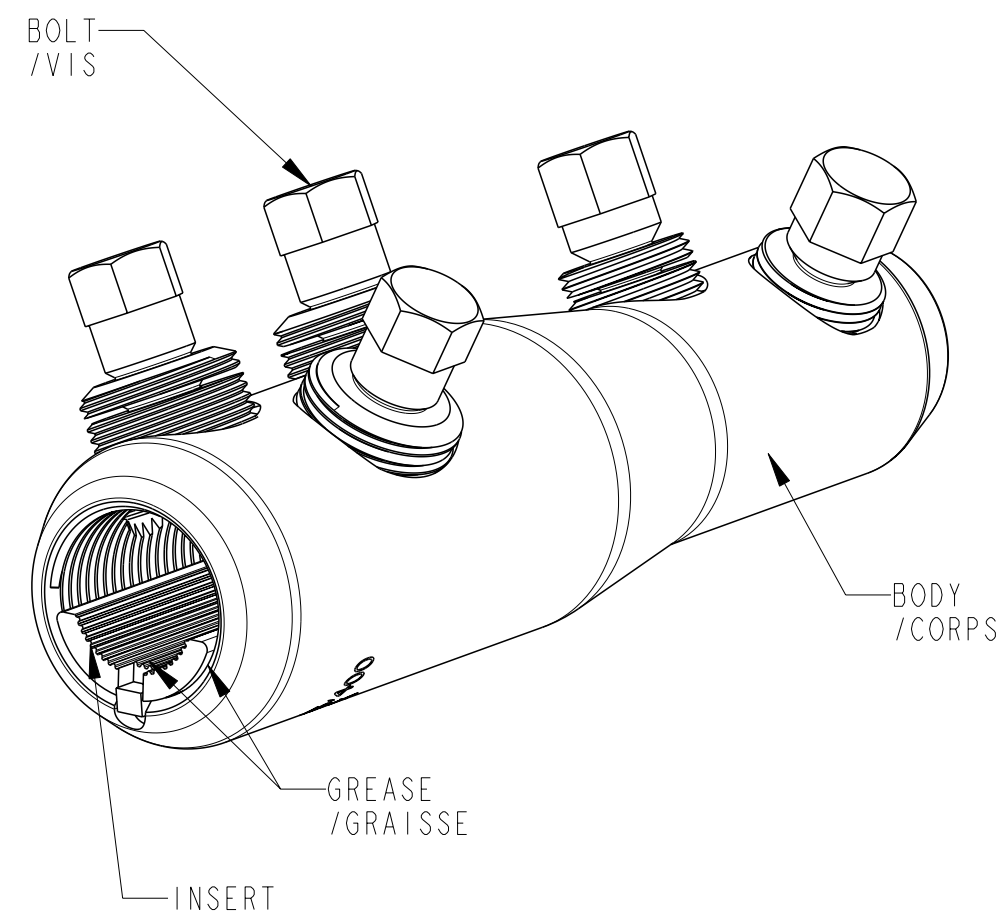
BSMB-95/240-185-400	A54098N001
DESCRIPTION	TCPN

REVISIONS

P	LTR	DESCRIPTION	DATE	DWN	APVD
0		CREATION	08JUN2005	NA	AD
A		CROSS SECTION ALU ROUND SOLID ADDED	16NOV06	AB	BP
B		UPDATE MARKING	12JULY2007	BM	BP
C		HEX BOLT HEAD REDUCED TO 13	19MAR2020	NB	AG



	AL				CU		Round Flexible / Circ. souple
	ROUND STRANDED / Rond câblé / RM	ROUND SOLID / Rond solide / RE	SECTOR STRANDED / Sectorial câblé / SM	SECTOR SOLID / Sectorial câblé / SE	ROUND STRANDED / Rond câblé / RM	SECTOR STRANDED / Sectorial câblé / SM	
CONDUCTOR CROSS-SECTION / Section conducteur / Querschnittsbereich mm ²	185-400	185-400	185-240	185-300 (300 mit 90°) (300 with 90°)	185-400	185-240	300
185/240 SIDE/SEITE CONDUCTOR DIAMETER LEITERDURCHMESSER mm	Ø15.5-Ø24.6	Ø14.8-Ø24.6	-	-	Ø15.5-Ø24.6	-	Ø23.5-Ø25
CONDUCTOR DIAMETER / Diamètre conducteur / Leiterdurchmesser mm	95-240	95-300	95-150 (185 with rounding)	95-150 (185 with 90°)	95-240	95-150 (185 with rounding)	95-150
95/240 SIDE/SEITE CONDUCTOR DIAMETER LEITERDURCHMESSER mm	Ø11-Ø19.2	Ø10.5-Ø19.3	-	-	Ø11-Ø19.2	-	Ø13-Ø14.3 Ø16.5-Ø19



THIS DRAWING IS A CONTROLLED DOCUMENT.

DIMENSIONS: mm	TOLERANCES UNLESS OTHERWISE SPECIFIED:
	0 PLC ±0
	1 PLC ±0
	2 PLC ±0
	3 PLC ±0
	4 PLC ±0
	ANGLES ±
MATERIAL: AL ALLOY	FINISH: TINNED

DWN: N. ALMEIDA 08JUN2005
CHK: R. BUTHIOT 08MAY2020
APVD: A. GUICHARD 08MAY2020
PRODUCT SPEC
APPLICATION SPEC
WEIGHT: 300 g
CUSTOMER DRAWING

TE TE Connectivity

NAME: -
BSMB-95/240-185/400

SIZE: A3 CAGE CODE: 00779 DRAWING NO: C-1856161 RESTRICTED TO: -

SCALE: 1:1 SHEET: 1 OF 1 REV: C