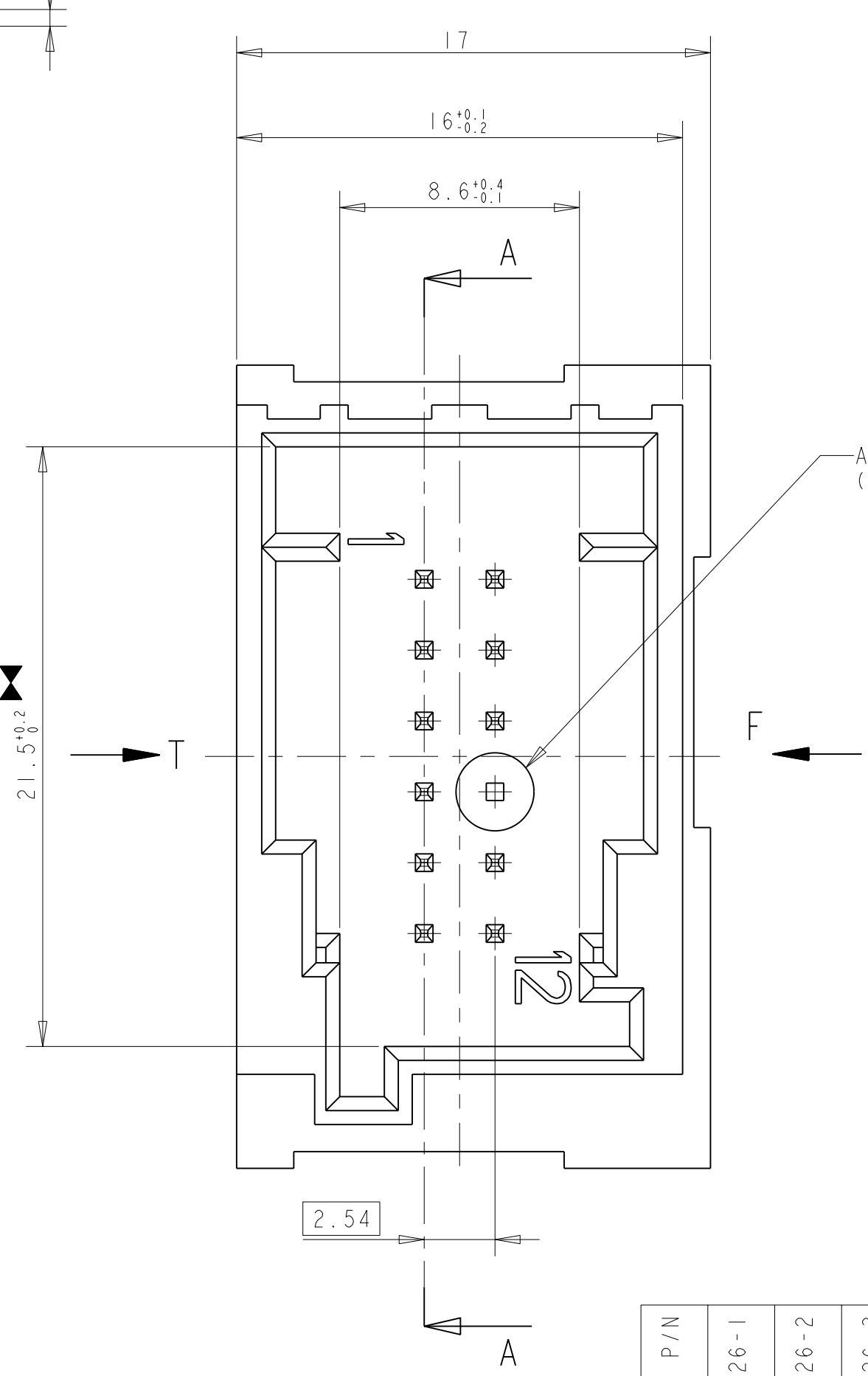
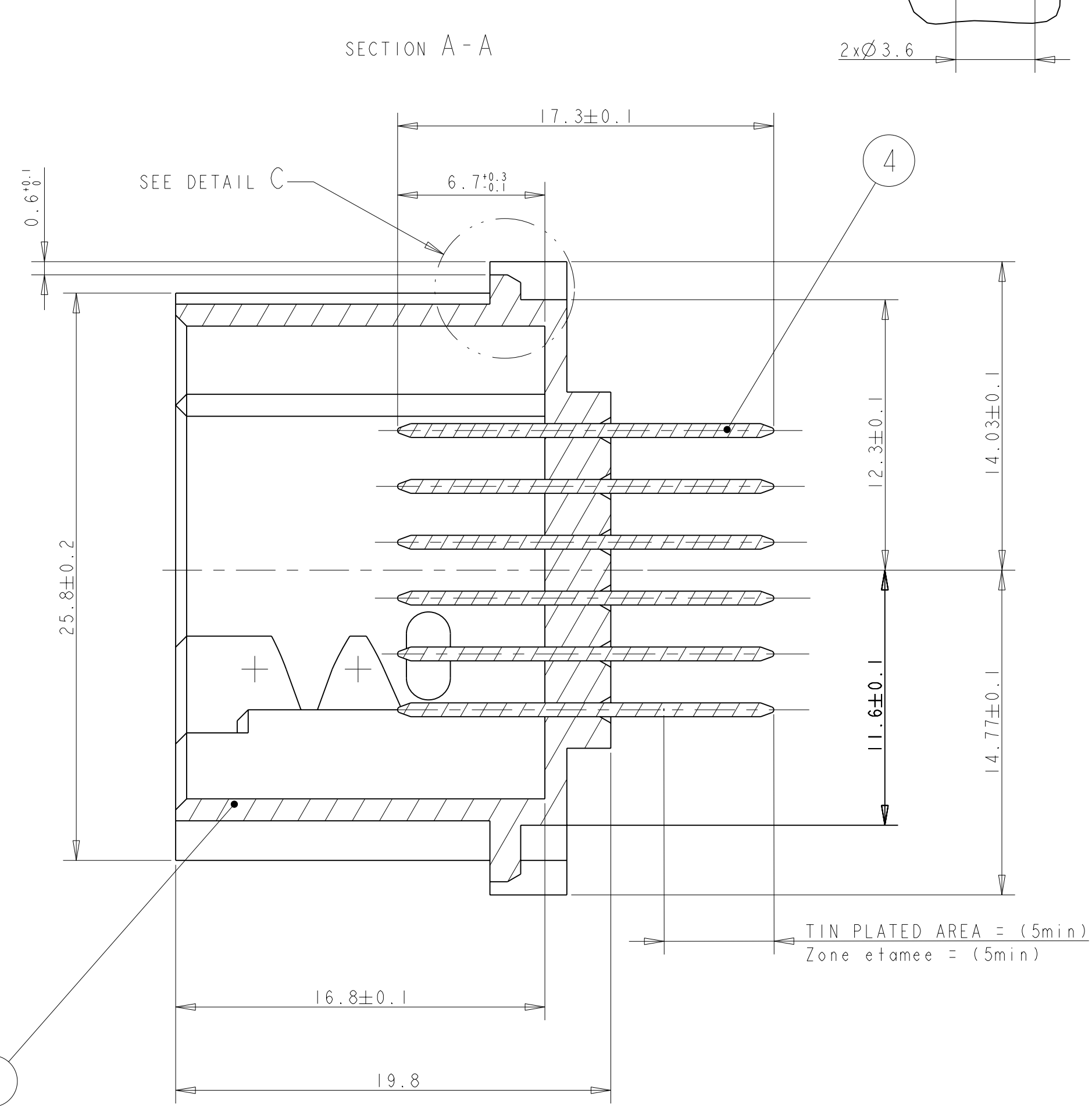
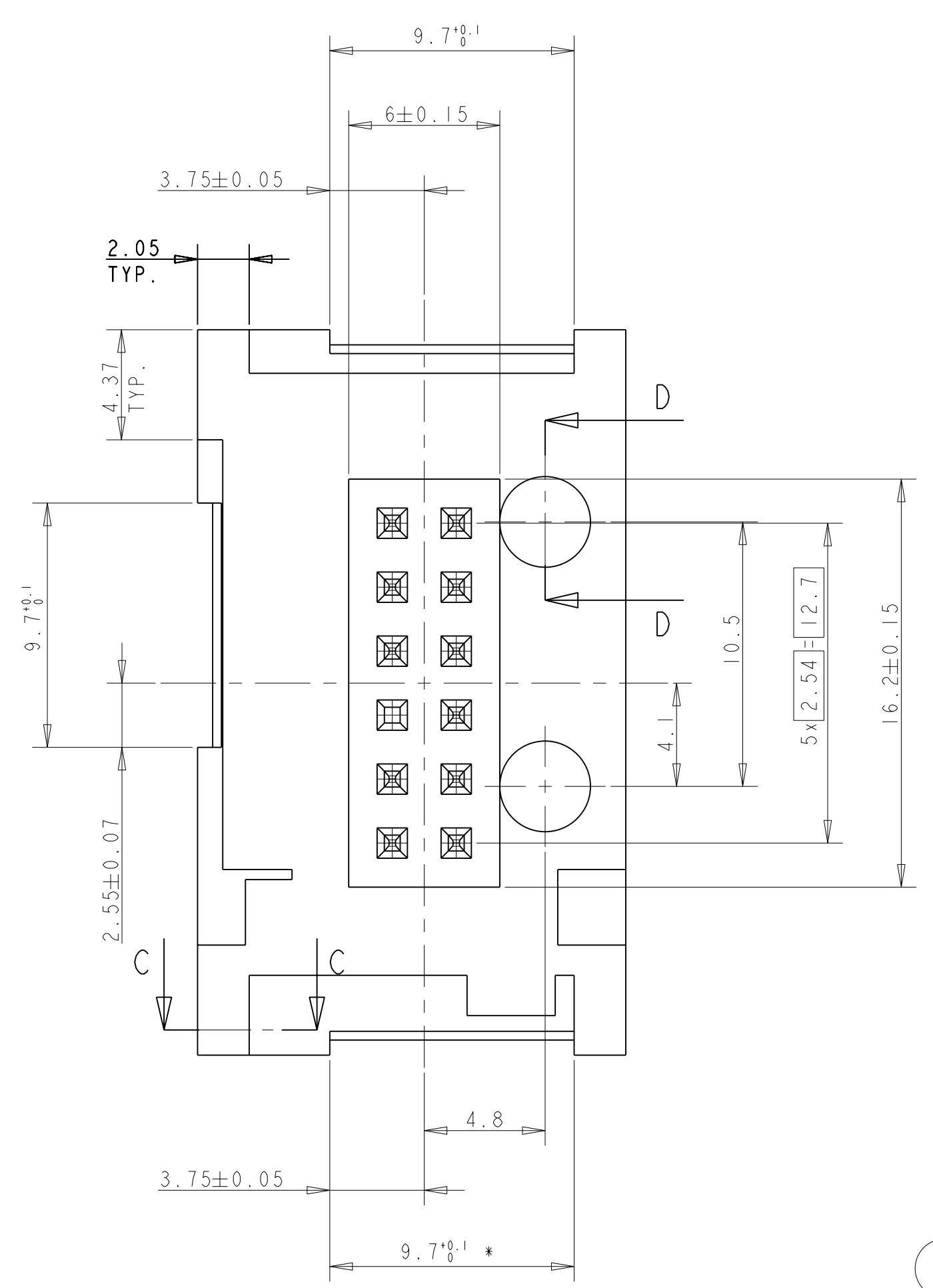
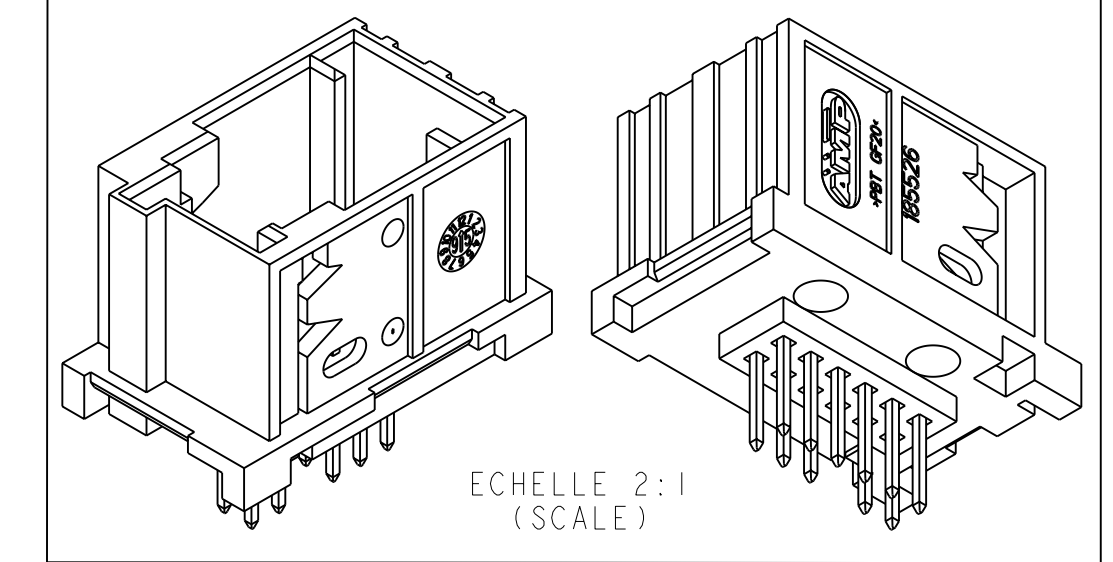
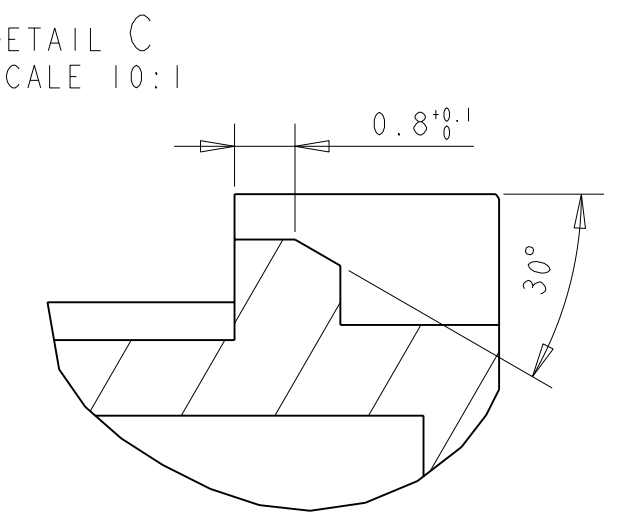
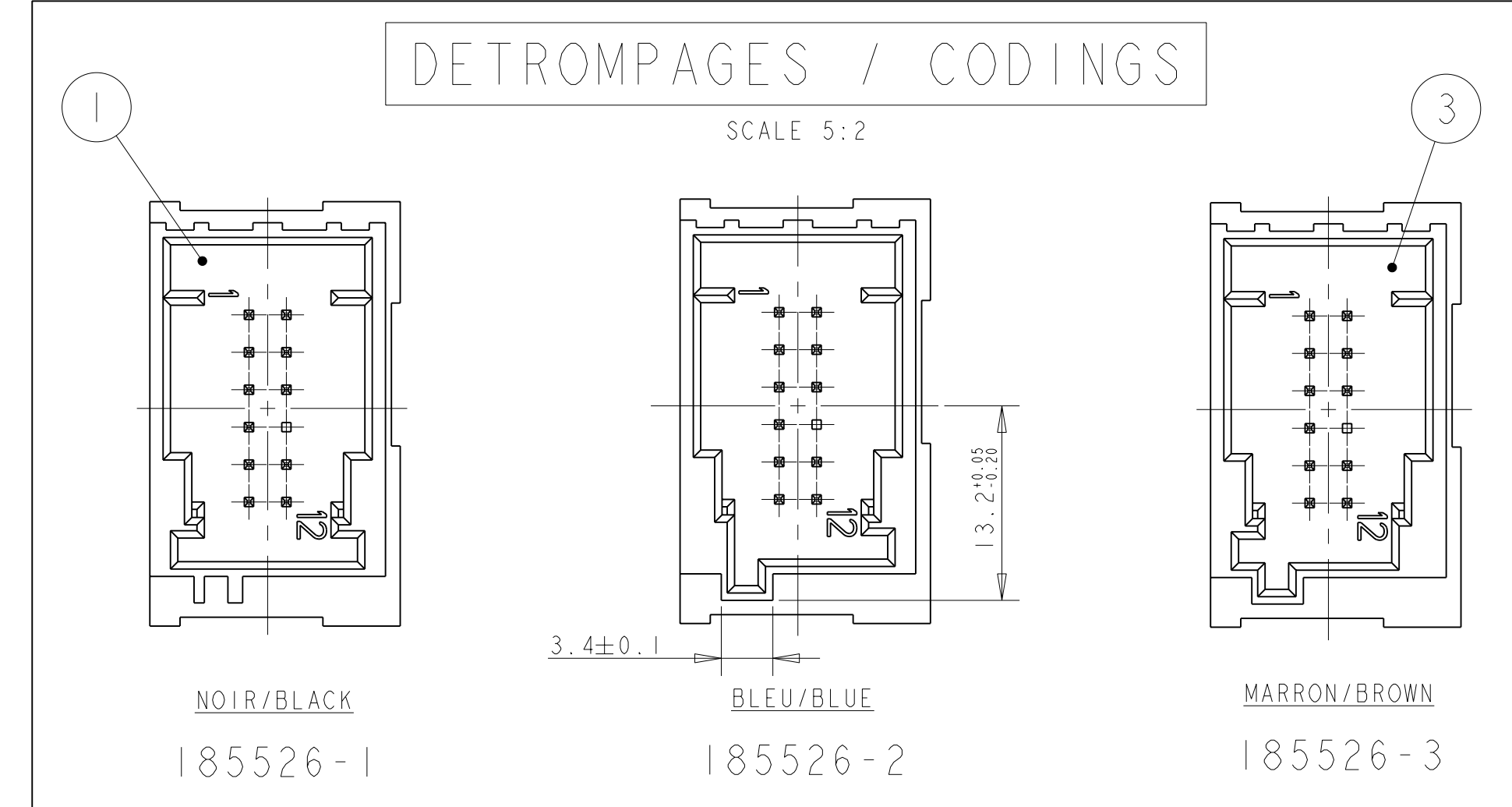
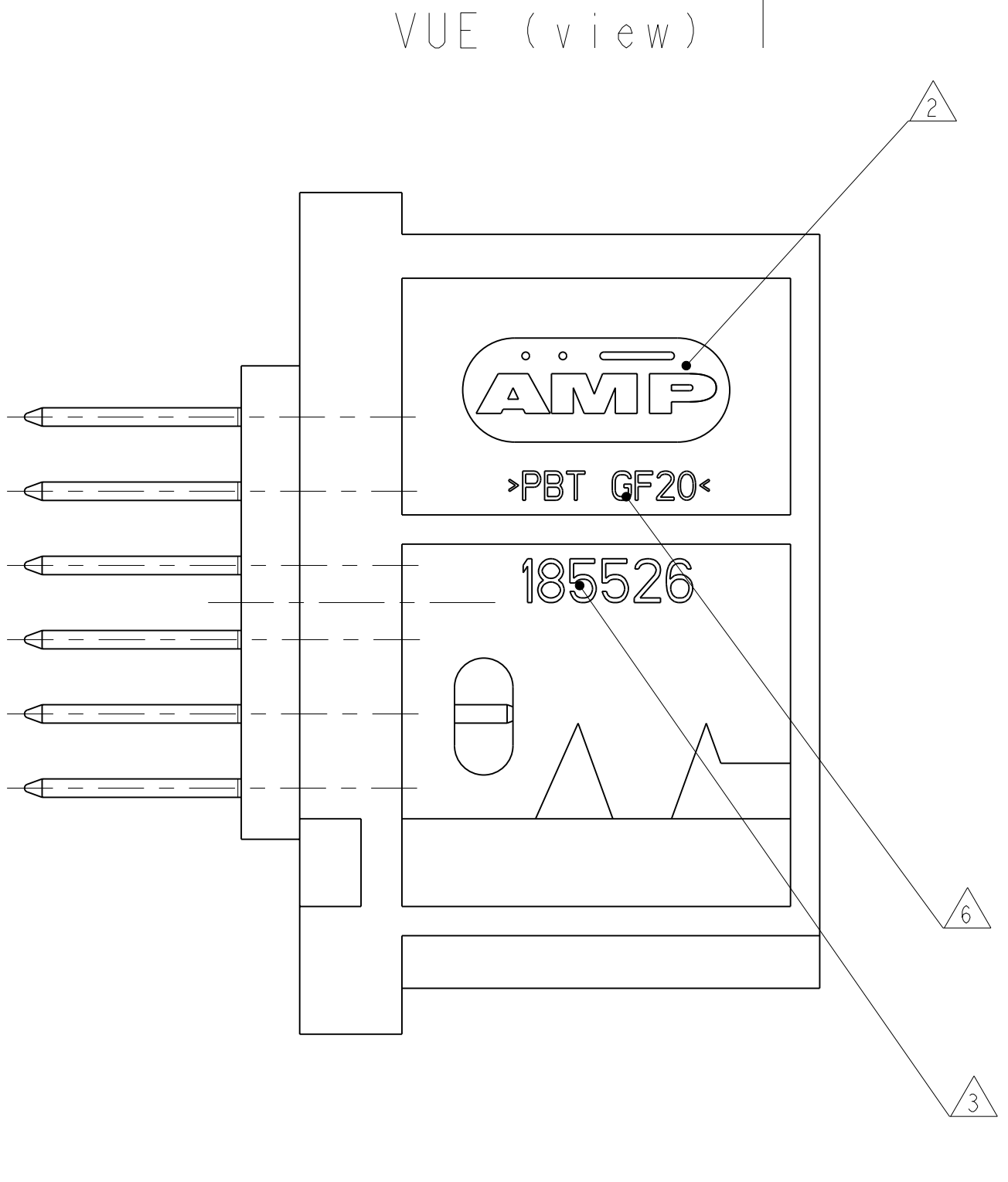
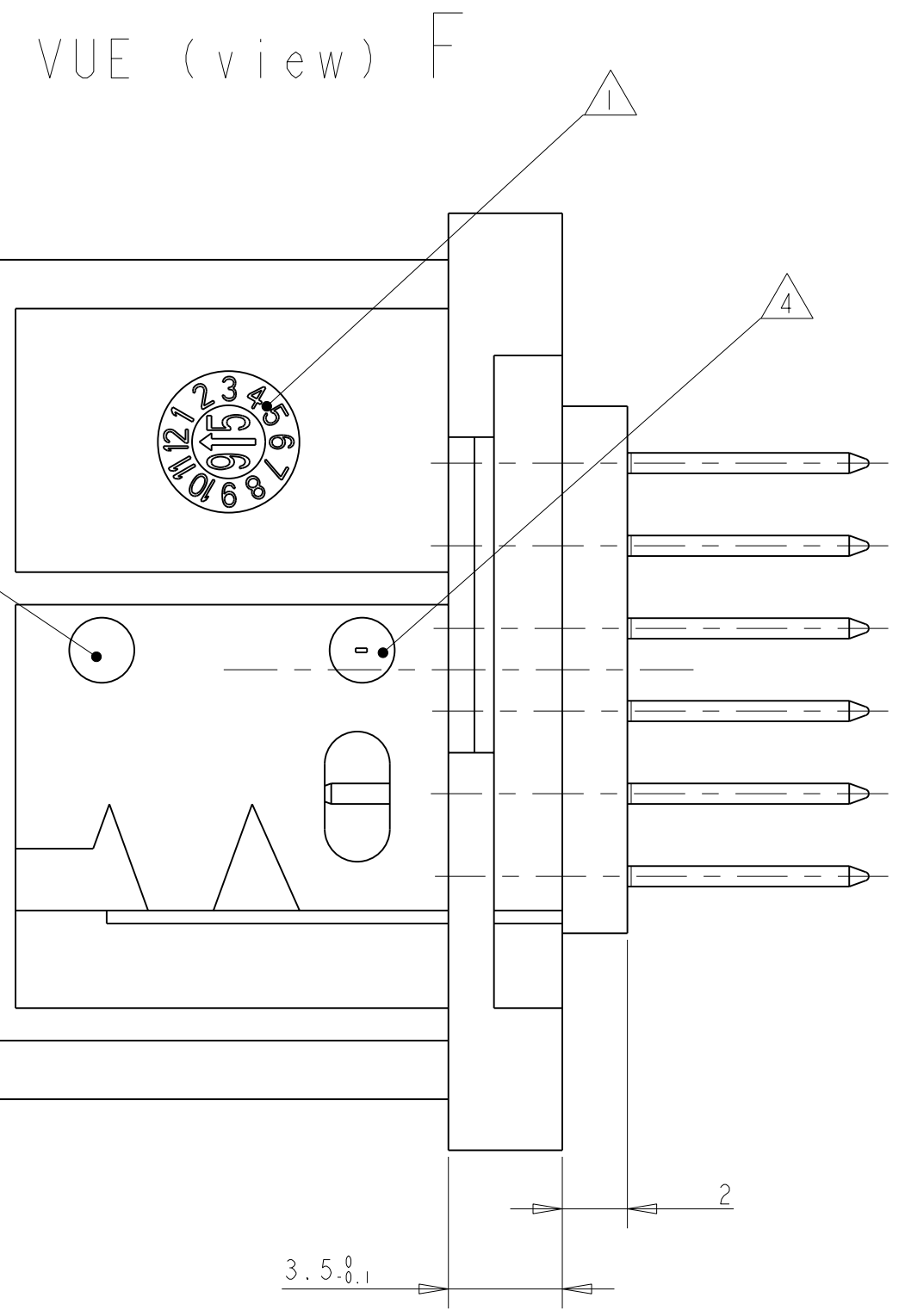
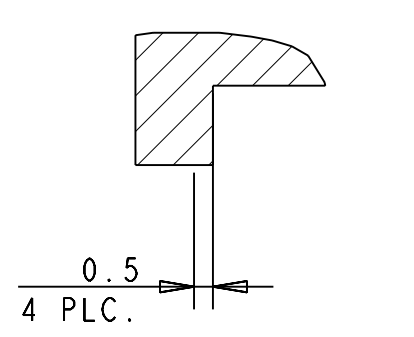


LOC	DIST	REVISIONS					
F	00	P	LTR	DESCRIPTION	DATE	DWN	APVD
		M		REDESSINE ET AJOUT DIM. 4.37 ET 2.05	12SEP2007	AD	JL
		N		AJOUT DEPOUILLE 0.5 AUX 4 COINS	04MAR2008	AD	JL
		P		AJOUT NOUVELLE VERSION SUR FEUILLE 3/3	21AUG2009	AD	JL



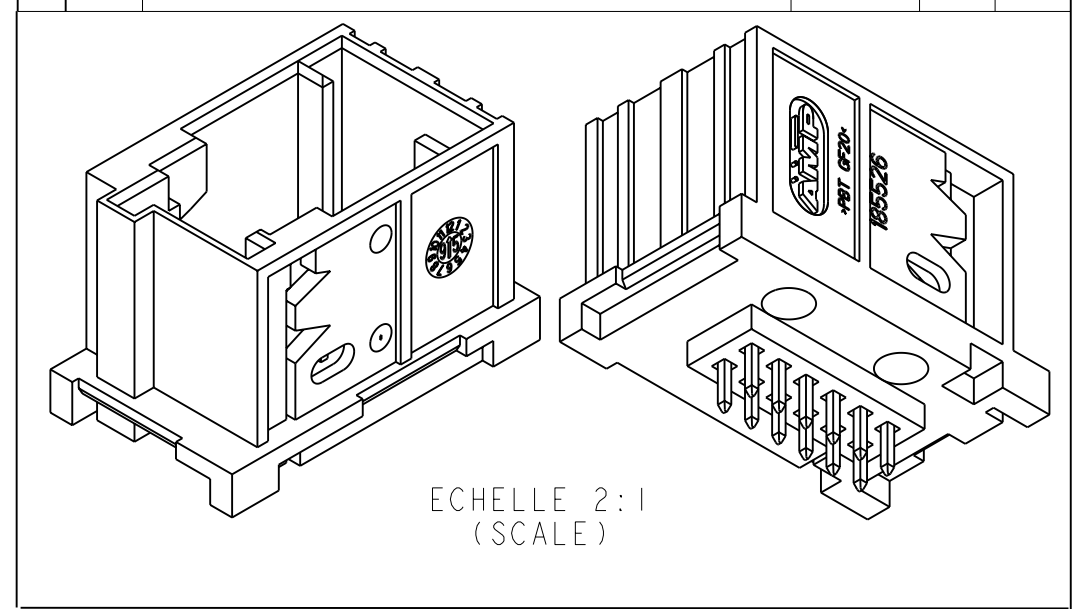
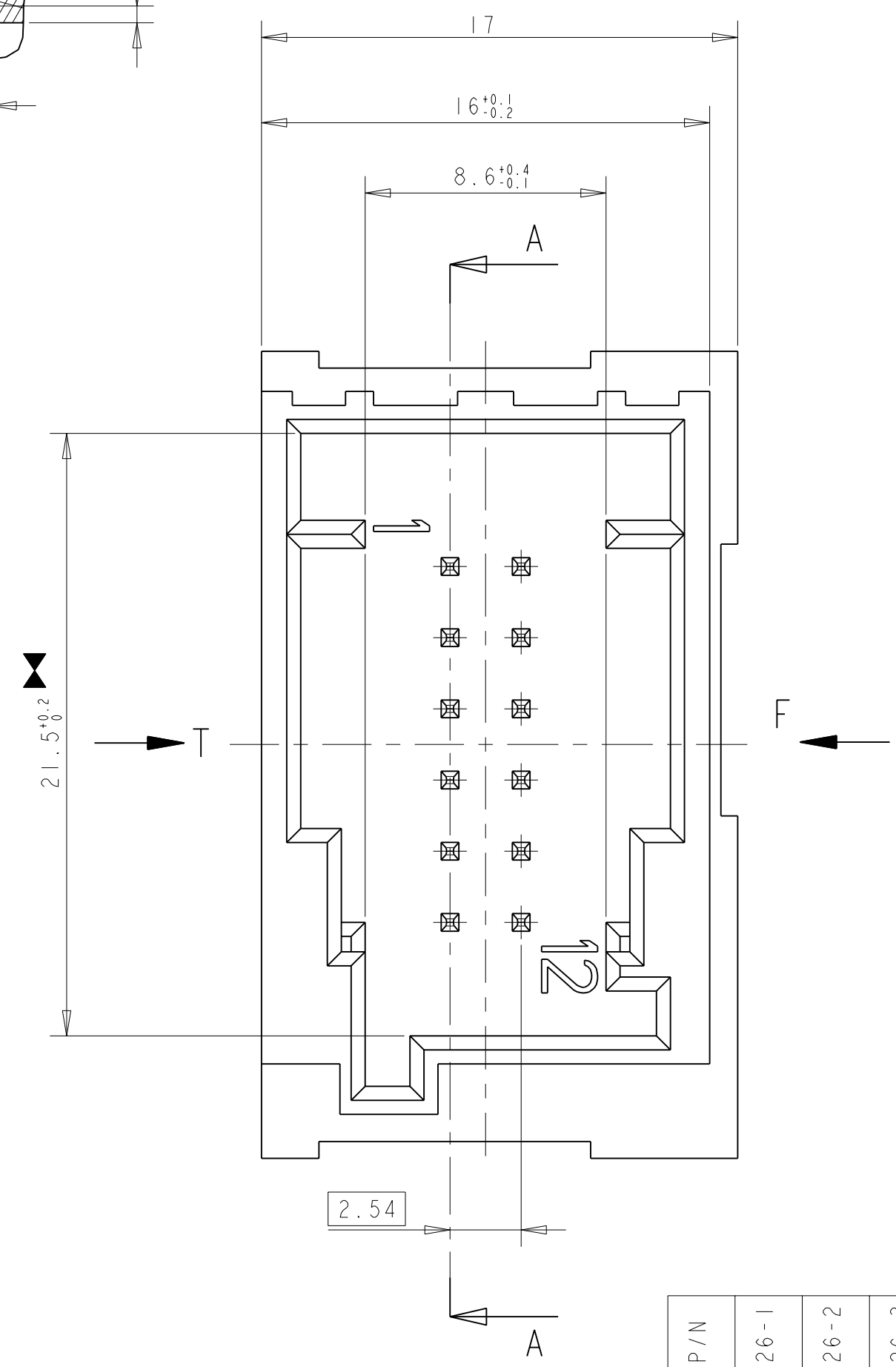
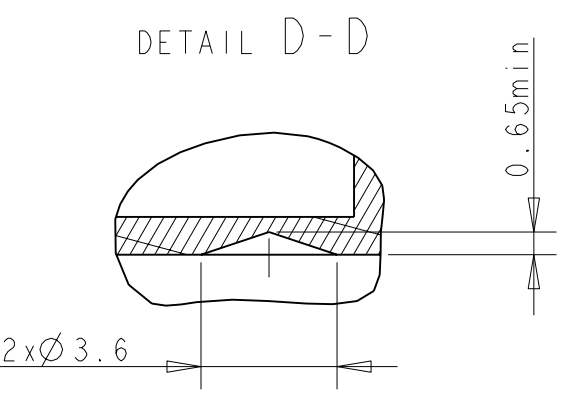
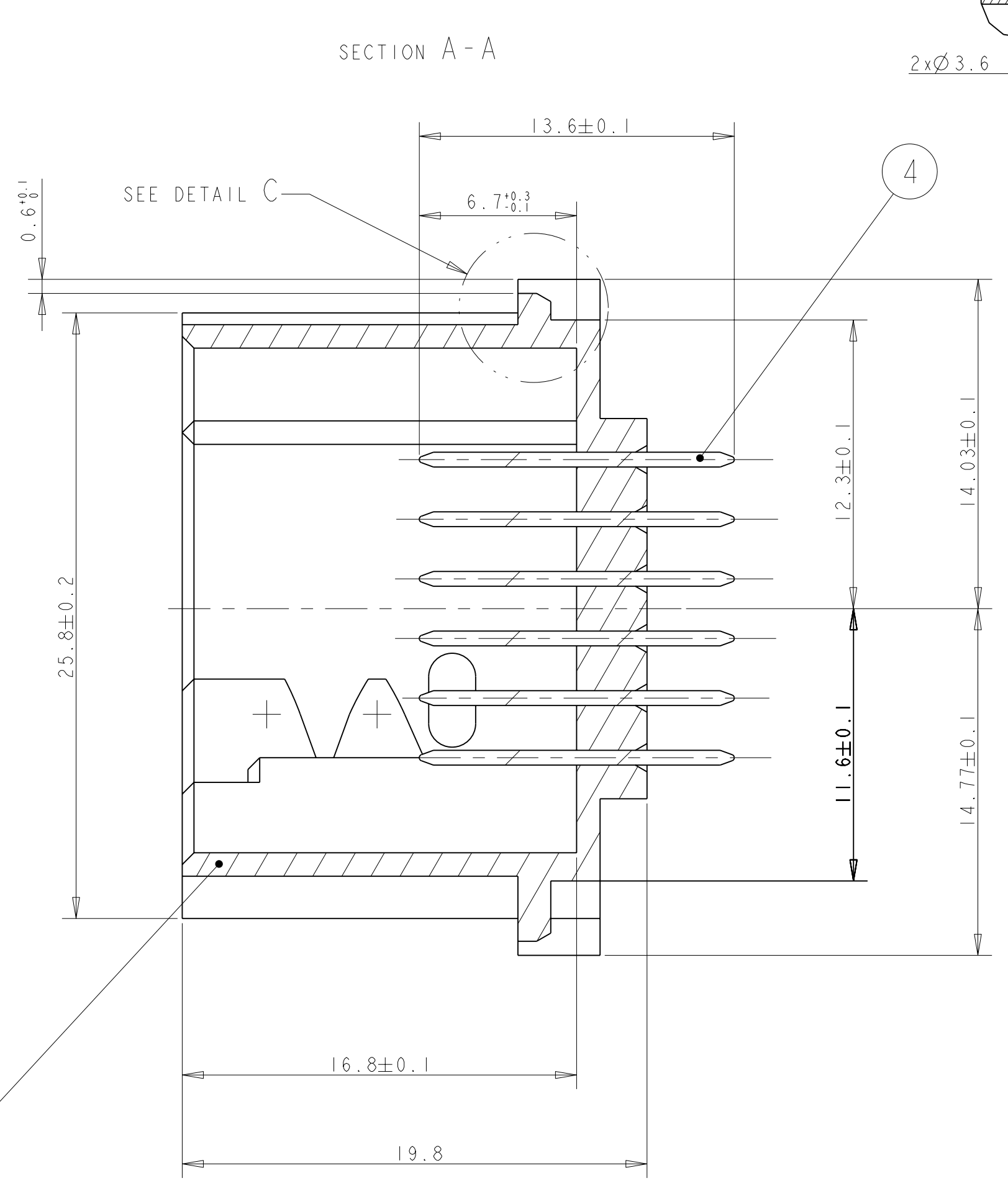
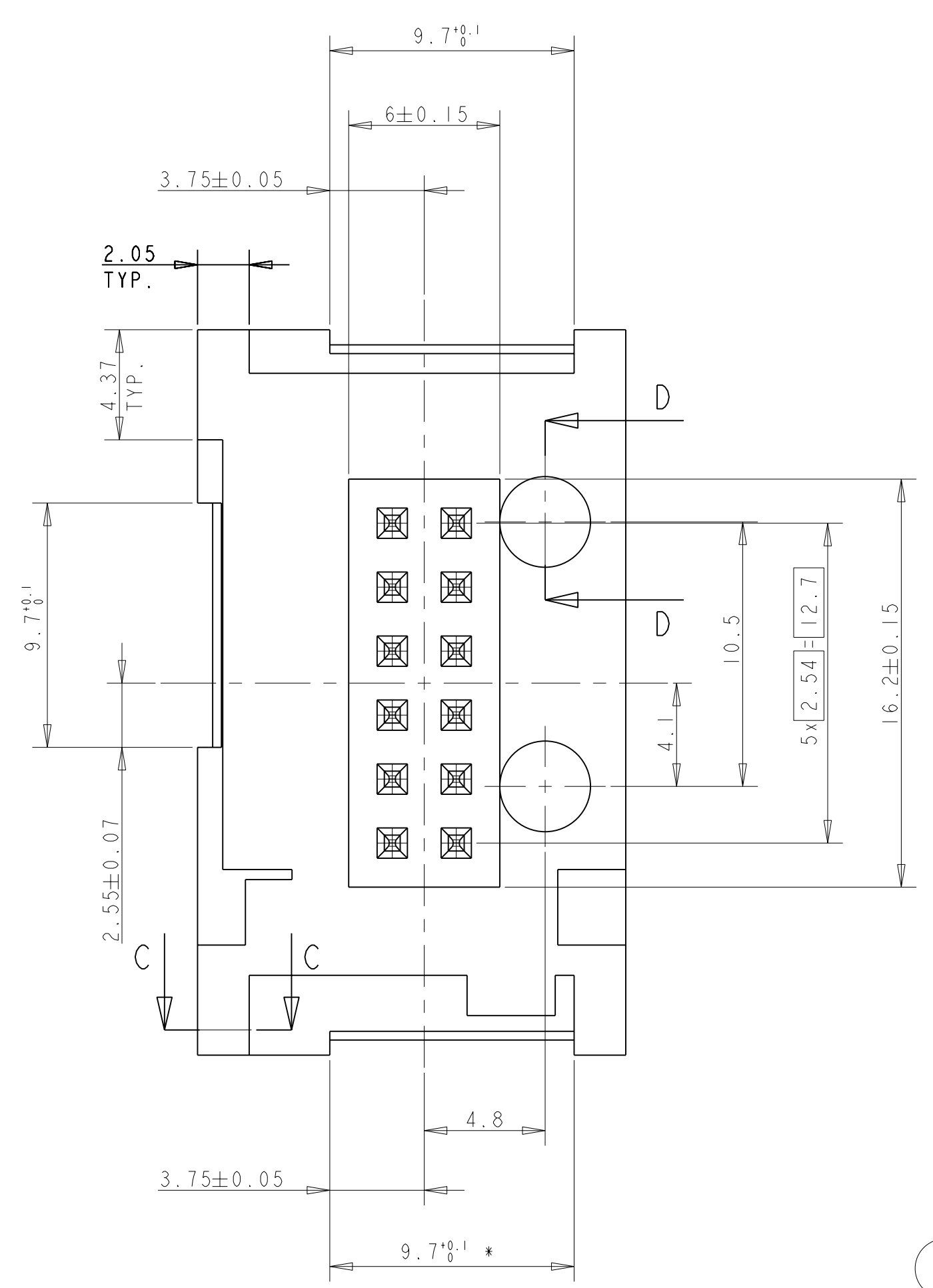
- Notes:
- ⚠ DATE CODE BOITIER (HOUSING DATE CODE)
  - ⚠ LOGO AMP OU Tyco Electronics (AMP OR Tyco Electronics LOGO)
  - ⚠ REFERENCE DU PRODUIT ASSEMBLE (ASSY PART NUMBER)
  - ⚠ REVISION DU MOULE (MOLD REVISION STATUS)
  - ⚠ N° D'EMPREINTE DU MOULE (CAVITY MARKING)
  - ⚠ MARQUAGE DE LA MATIERE: >PBT GF20< (MATERIAL IDENTIFICATION: >PBT GF20<)
  - ➡ COTE CAPABILITE (CAPABILITY DIMENSION)
  - \* ACCEPTEE A 9.7 +0.1/-0.05 (9.7+0.1/-0.05 ALLOWED)
  - 7. CONTRE-PARTIE: CONNECTEUR REF 185341 ET 185343 (MATING PART: CONNECTORS P/N 185341 AND 185343)

ASSY P/N	185526-1	185526-2	185526-3			
II	II	II	CuSn6	CONTACT MOS 0.63x0.63	POST ETAME(Post tin)	④
		I	PBT GF20	BOITIER CODAGE 3 (Housing coding 3)	MARRON (Brown)	③
		I	PBT GF20	BOITIER CODAGE 2 (Housing coding 2)	BLEU (Blue)	②
		I	PBT GF20	BOITIER CODAGE 1 (Housing coding 1)	NOIR (Black)	①
QTE/QT	MATERIE/MATERIAL		DESIGNATION/NAME	COULEUR/COLOR	REP.	



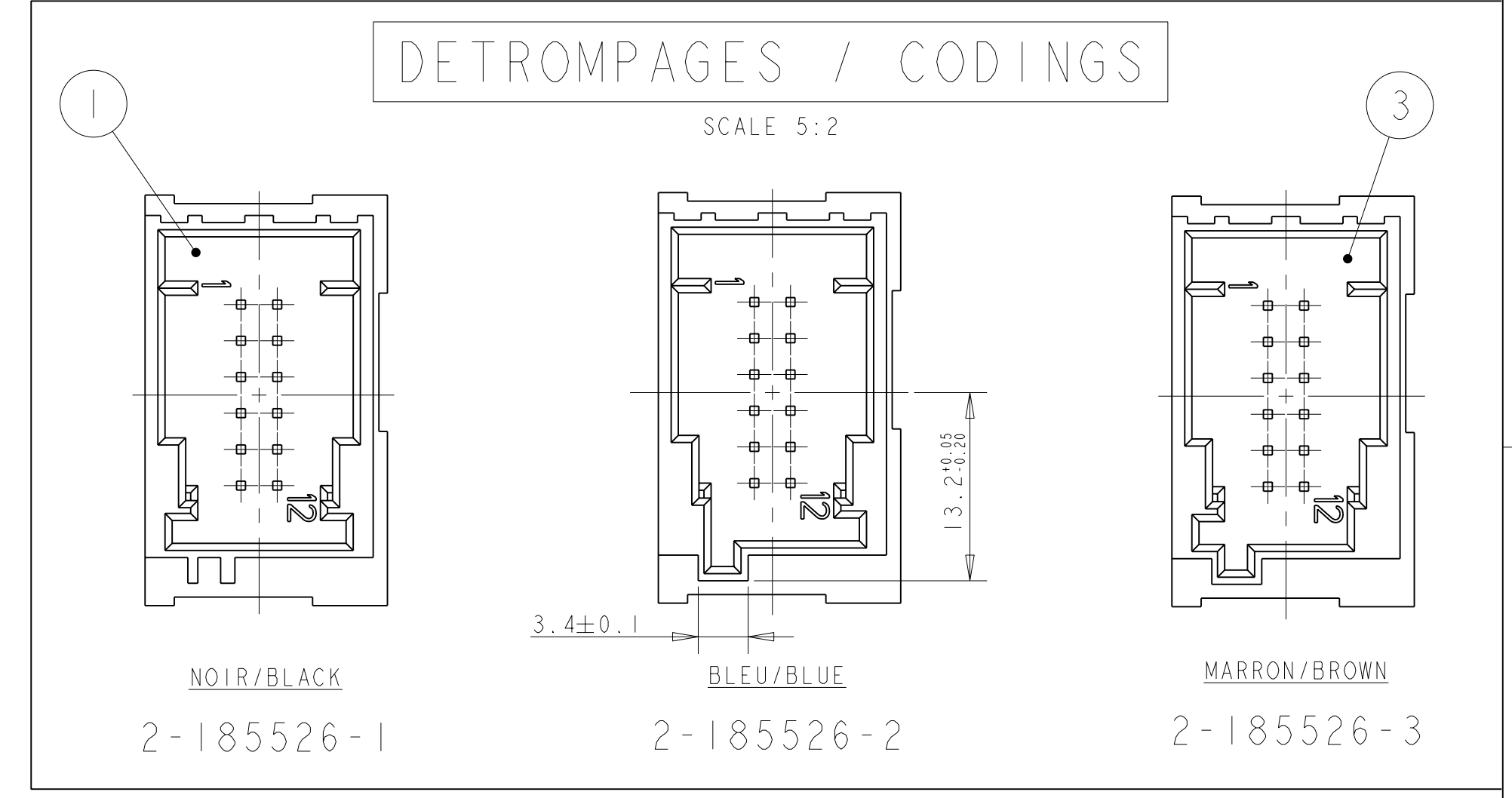
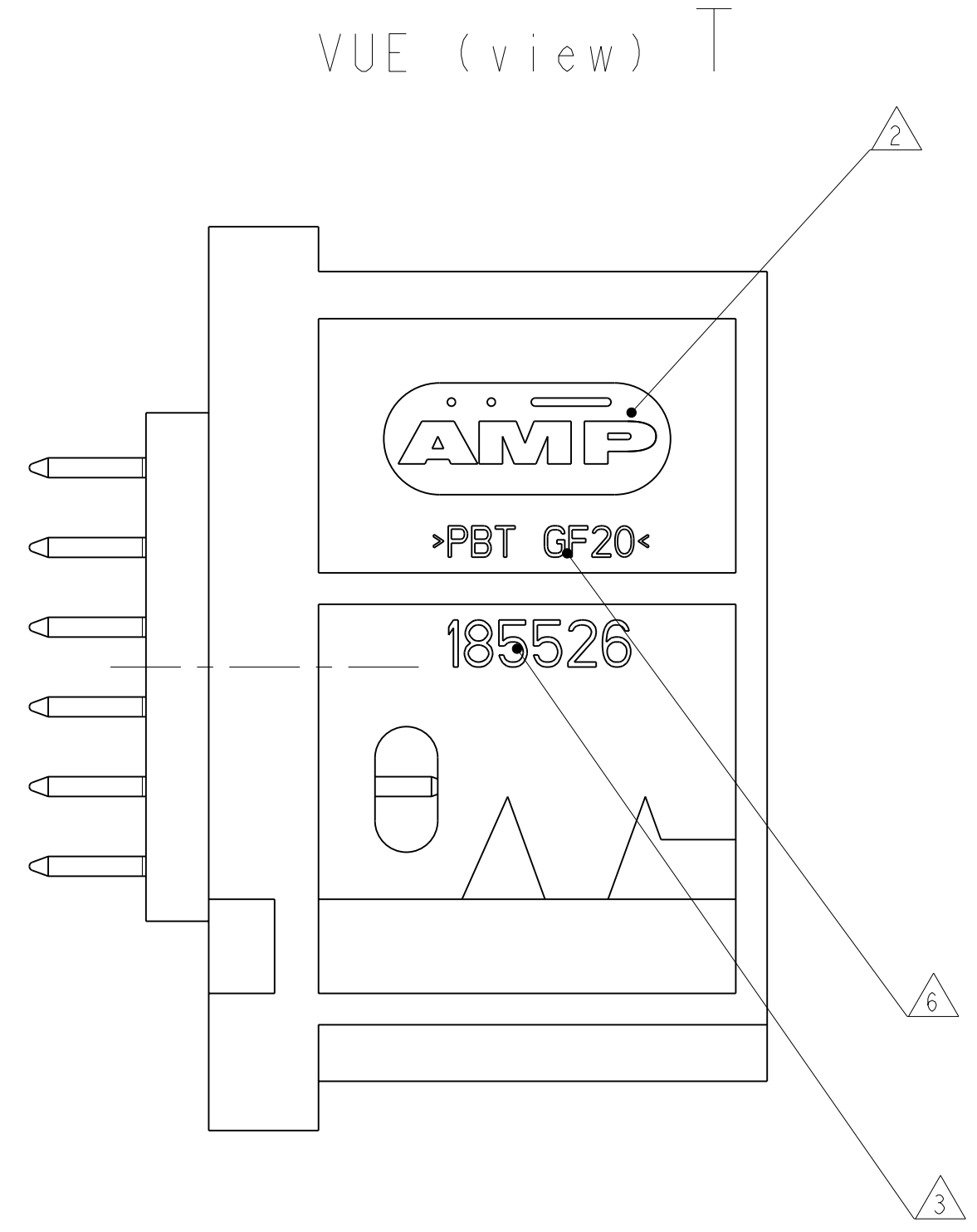
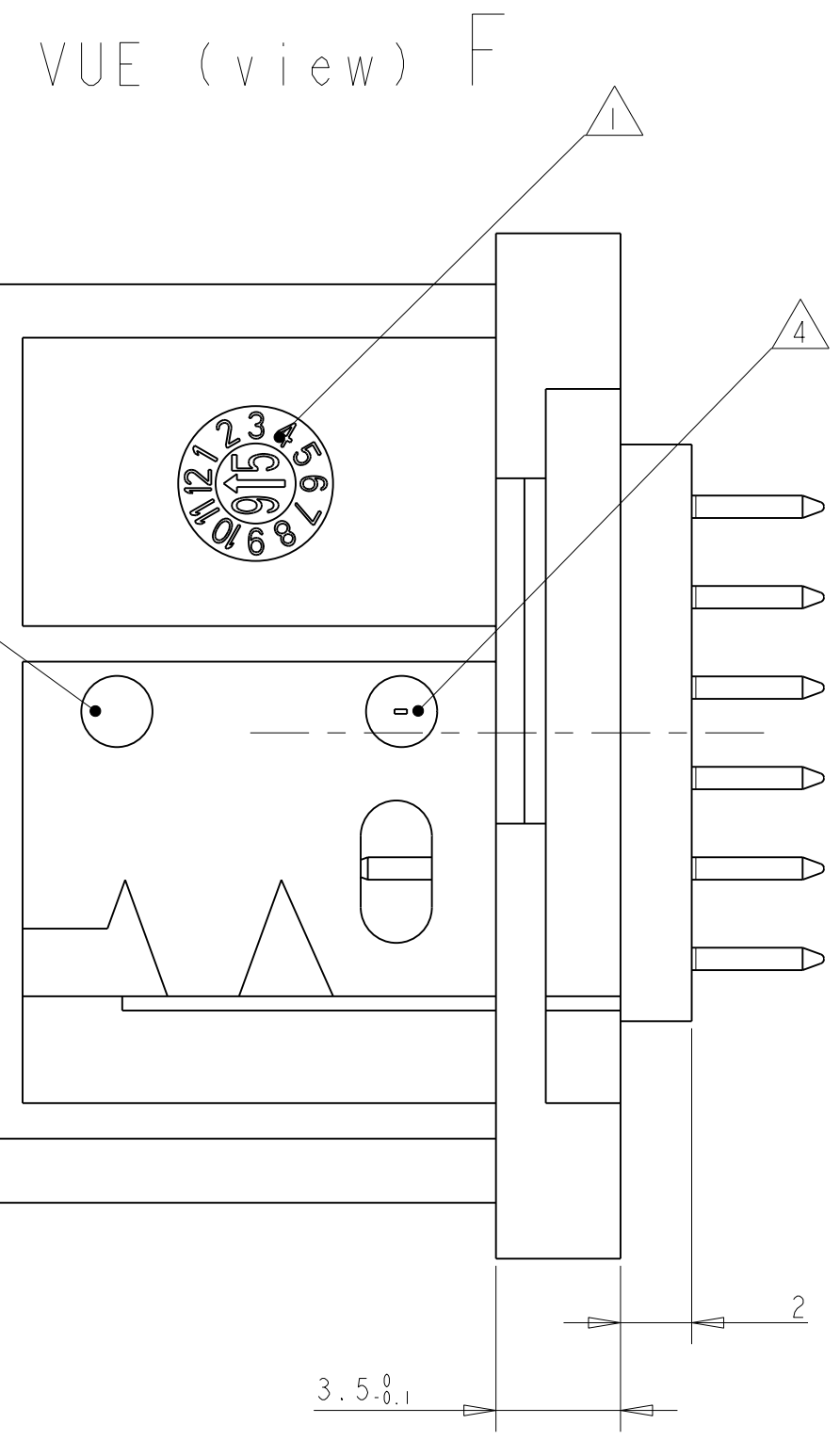
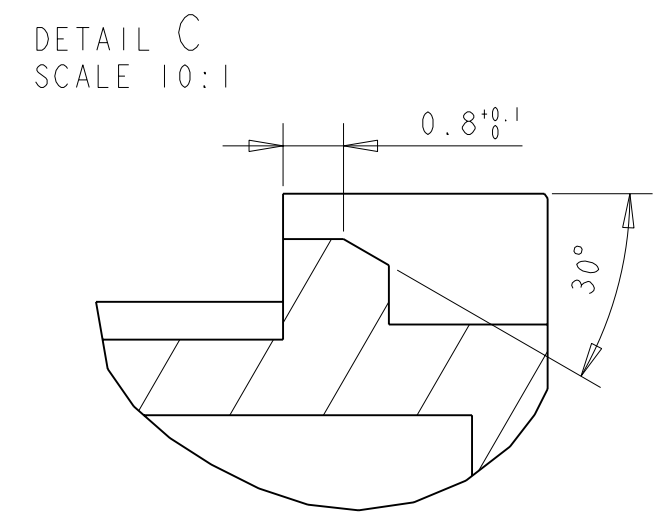
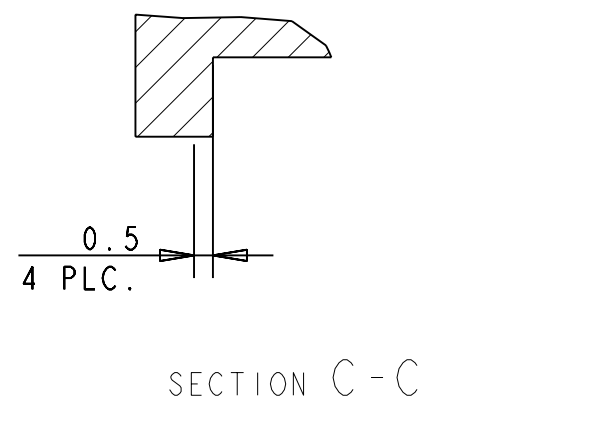
DIMENSIONS: mm		TOLERANCES UNLESS OTHERWISE SPECIFIED: ±0.3		DWN: A. DUPUIS 12SEP2007	Tyco Electronics Tyco Electronics France SAS 95300 Pontoise, France		
MATERIAL: VOIR TABLEAU SEE TABLE		FINISH: VOIR TABLEAU SEE TABLE		CHK: J. LALANGE 12SEP2007	NAME: EMBASE 12 VOIES MOS DROITE 12W MOS STRAIGHT HEADER		
CUSTOMER DRAWING		SCALE: 5:1		APVD: J.J. REVILL 12SEP2007	RESTRICTED TO: P		
SIZE: A		CAGE CODE: 100779		DRAWING NO: 185526		SHEET 1 OF 3	

LOC	DIST	REVISIONS					
F	00	P	LTR	DESCRIPTION	DATE	DWN	APVD
				SEE SHEET 1			



- Notes:
- 1 DATE CODE BOITIER (HOUSING DATE CODE)
  - 2 LOGO AMP OU Tyco Electronics (AMP OR Tyco Electronics LOGO)
  - 3 REFERENCE DU PRODUIT ASSEMBLE (ASSY PART NUMBER)
  - 4 REVISION DU MOULE (MOLD REVISION STATUS)
  - 5 N° D'EMPREINTE DU MOULE (CAVITY MARKING)
  - 6 MARQUAGE DE LA MATIERE: >PBT GF20< (MATERIAL IDENTIFICATION: >PBT GF20<)
  - 7. CONTRE-PARTIE: CONNECTEUR REF 185341 ET 185343 (MATING PART: CONNECTORS P/N 185341 AND 185343)
- \* ACCEPTEE A 9.7 +0.1/-0.05 (9.7+0.1/-0.05 ALLOWED)

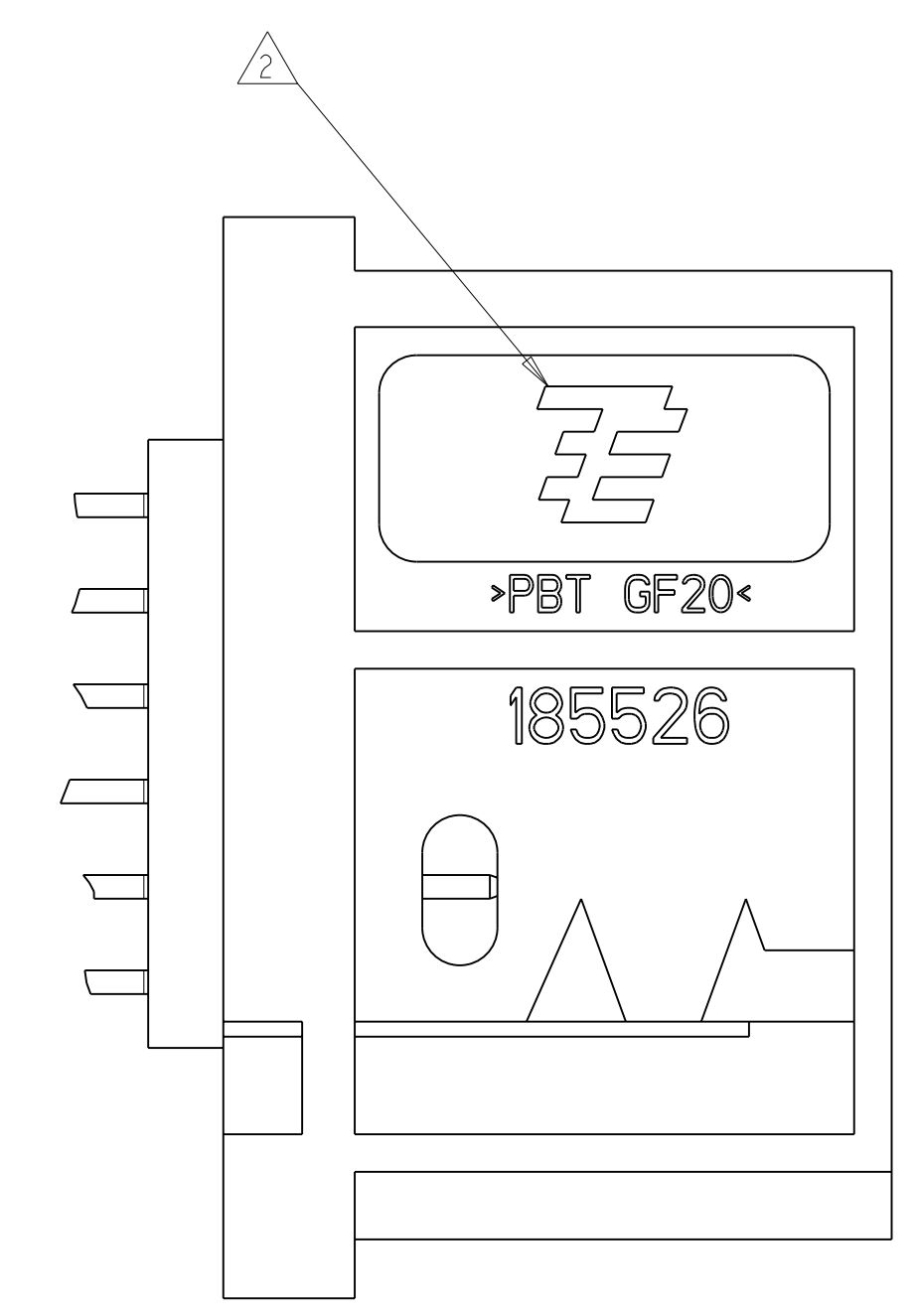
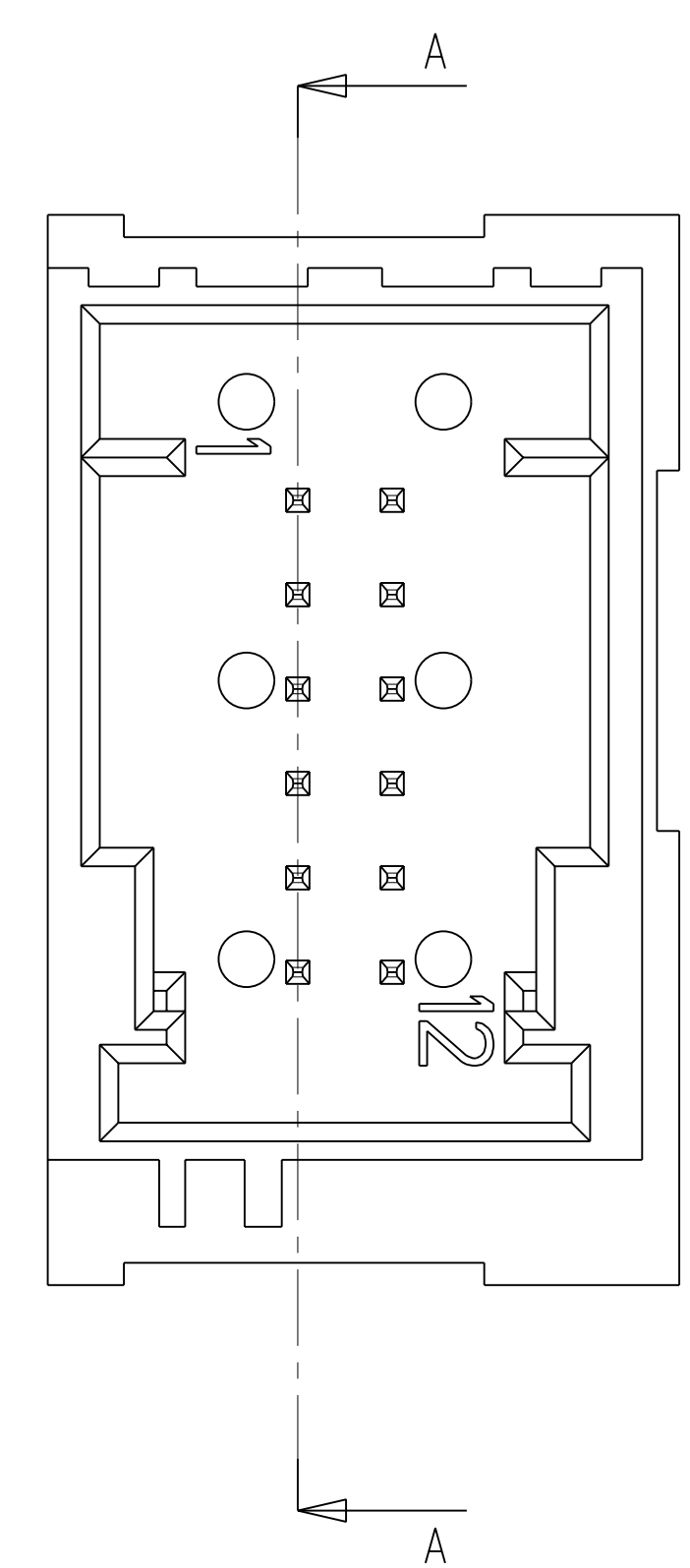
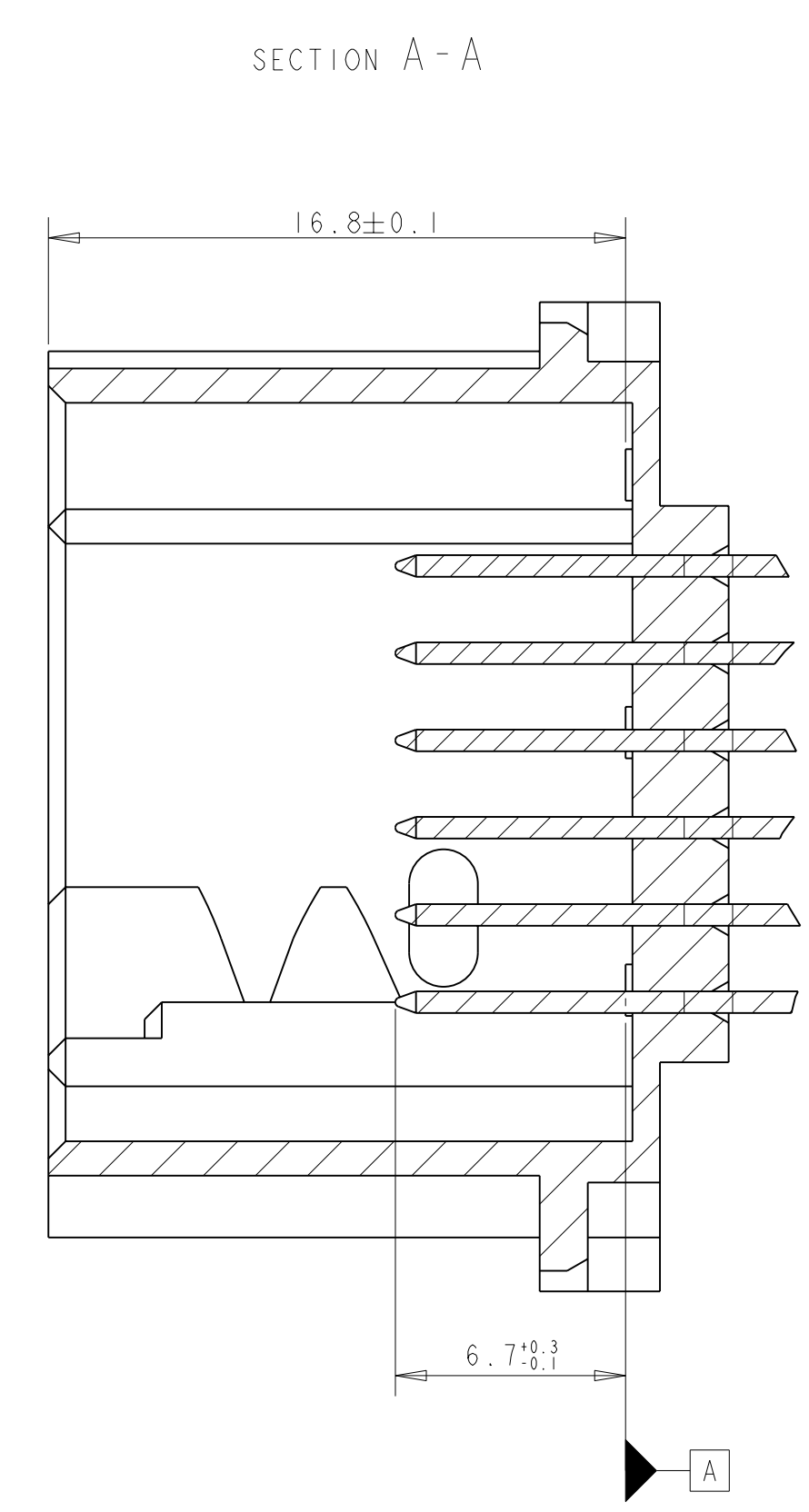
ASSY P/N	12	12	12				
2-185526-1				CuSn6	CONTACT MOS 0.63x0.63	POST ETAME(Post tin)	4
2-185526-2			1	PBT GF20	BOITIER CODAGE 3 (Housing coding 3)	MARRON (Brown)	3
2-185526-3			1	PBT GF20	BOITIER CODAGE 2 (Housing coding 2)	BLEU (Blue)	2
	1			PBT GF20	BOITIER CODAGE 1 (Housing coding 1)	NOIR (Black)	1
	QTE/QT			MATIERE/MATERIAL	DESIGNATION/NAME	COULEUR/COLOR	REP.



DIMENSIONS: mm		TOLERANCES UNLESS OTHERWISE SPECIFIED: ±0.3		DWN: A. DUPUIS 12SEP2007	Tyco Electronics Tyco Electronics France SAS 95300 Pontoise, France	
MATERIAL: VOIR TABLEAU SEE TABLE		FINISH: VOIR TABLEAU SEE TABLE		CHK: J. LALANGE 12SEP2007	NAME: EMBASE 12 VOIES MOS DROITE 12W MOS STRAIGHT HEADER	
CUSTOMER DRAWING		APVD: J. REVILL 12SEP2007		PRODUCT SPEC: -		RESTRICTED TO: -
SCALE: 3:1		SHEET: 2 OF 3		SIZE: A1		REV: P

LOC	DIST	REVISIONS					
F	00	P	LTR	DESCRIPTION	DATE	DWN	APVD
		-	-	SEE SHEET 1	-	-	-

OTHER DESIGN ACCEPTED AVAILABLE FOR ALL VERSIONS  
 (AUTRES DESIGN ACCEPTES VALABLES POUR TOUTES LES VERSIONS)



FOR ALL OTHER DIMENSIONS AND SHAPES SEE SHEET 1/3 AND 2/3  
 ( POUR LES AUTRES DIMENSIONS ET FORMES VOIR FEUILLE 1/3 ET 2/3)

<small>THIS DRAWING IS UNPUBLISHED. RELEASED FOR PUBLICATION 20. COPYRIGHT 20 BY TYCO ELECTRONICS CORPORATION. ALL RIGHTS RESERVED.</small>		DWN: A. DUPUIS 21AUG2009 CHK: J. LALANGE 21AUG2009 APVD: J. J. REVILL 21AUG2009	Tyco Electronics France SAS 95300 Pontoise, France
DIMENSIONS: mm	TOLERANCES UNLESS OTHERWISE SPECIFIED: ±0.3 ±0.1 ±0.2 ±0.15 ±0.1 ±0.05 ±0.025	NAME: EMBASE 12 VOIES MOS DROITE PRODUCT SPEC: 12W MOS STRAIGHT HEADER APPLICATION SPEC:	SIZE: A CAGE CODE: 00779 DRAWING NO: C-185526
MATERIAL: VOIR TABLEAU SEE TABLE	FINISH: VOIR TABLEAU SEE TABLE	WEIGHT: - CUSTOMER DRAWING	RESTRICTED TO: - SCALE: 5:1 SHEET: 3 OF 3 REV: P