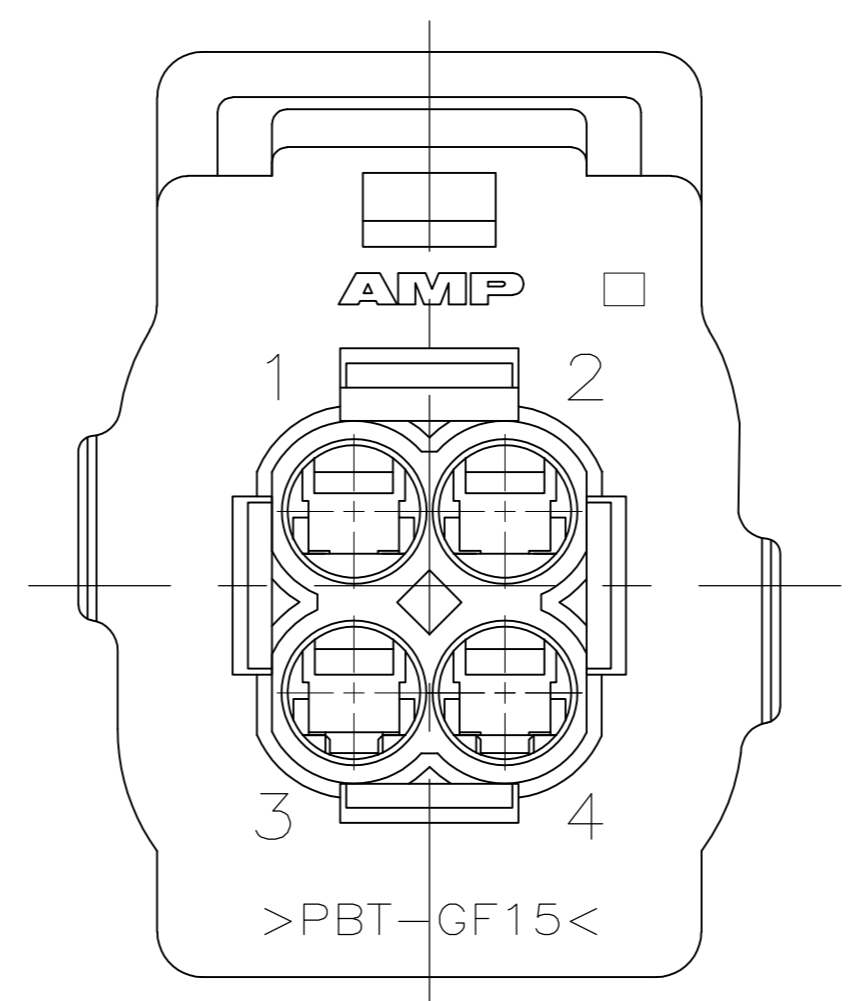
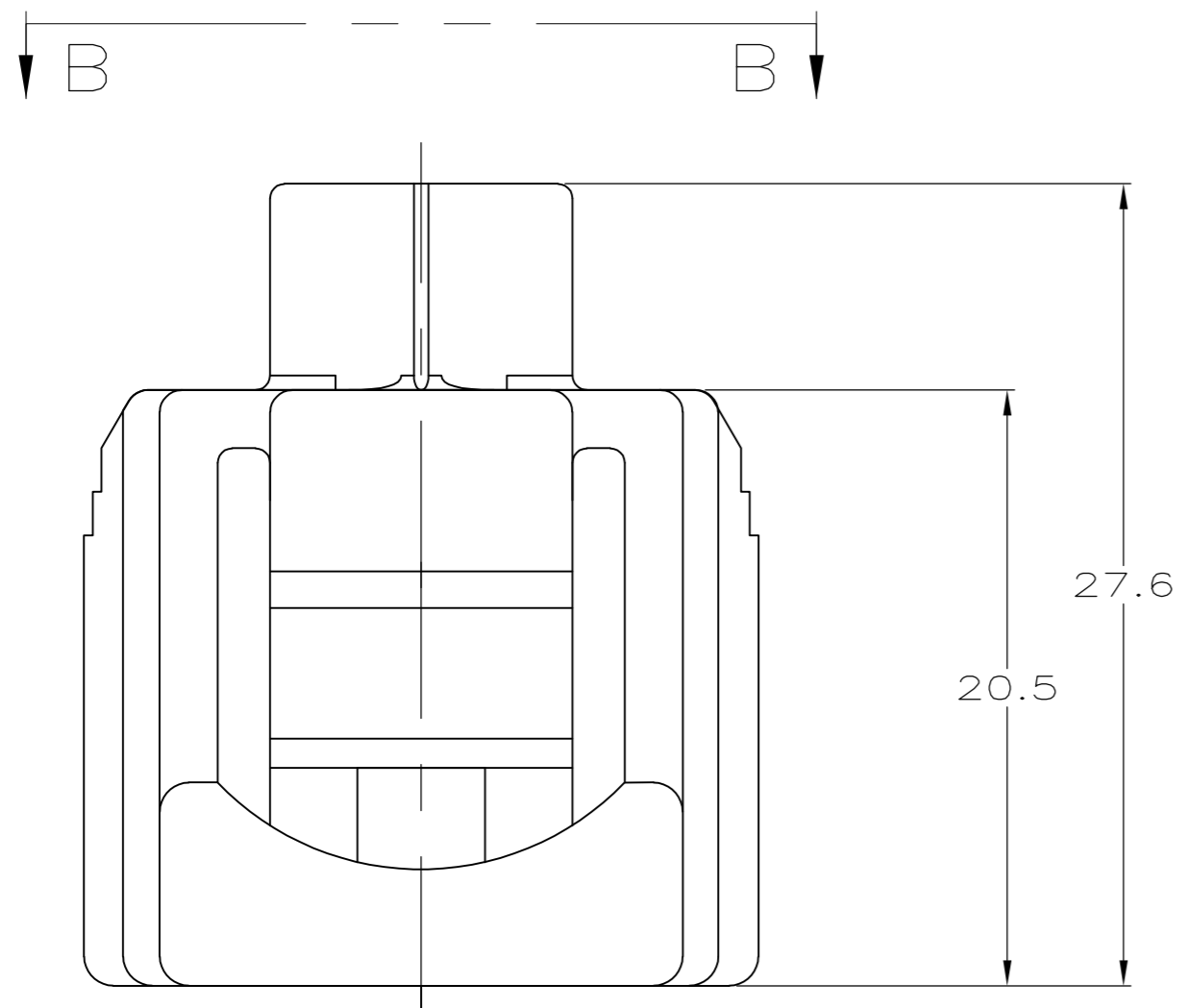
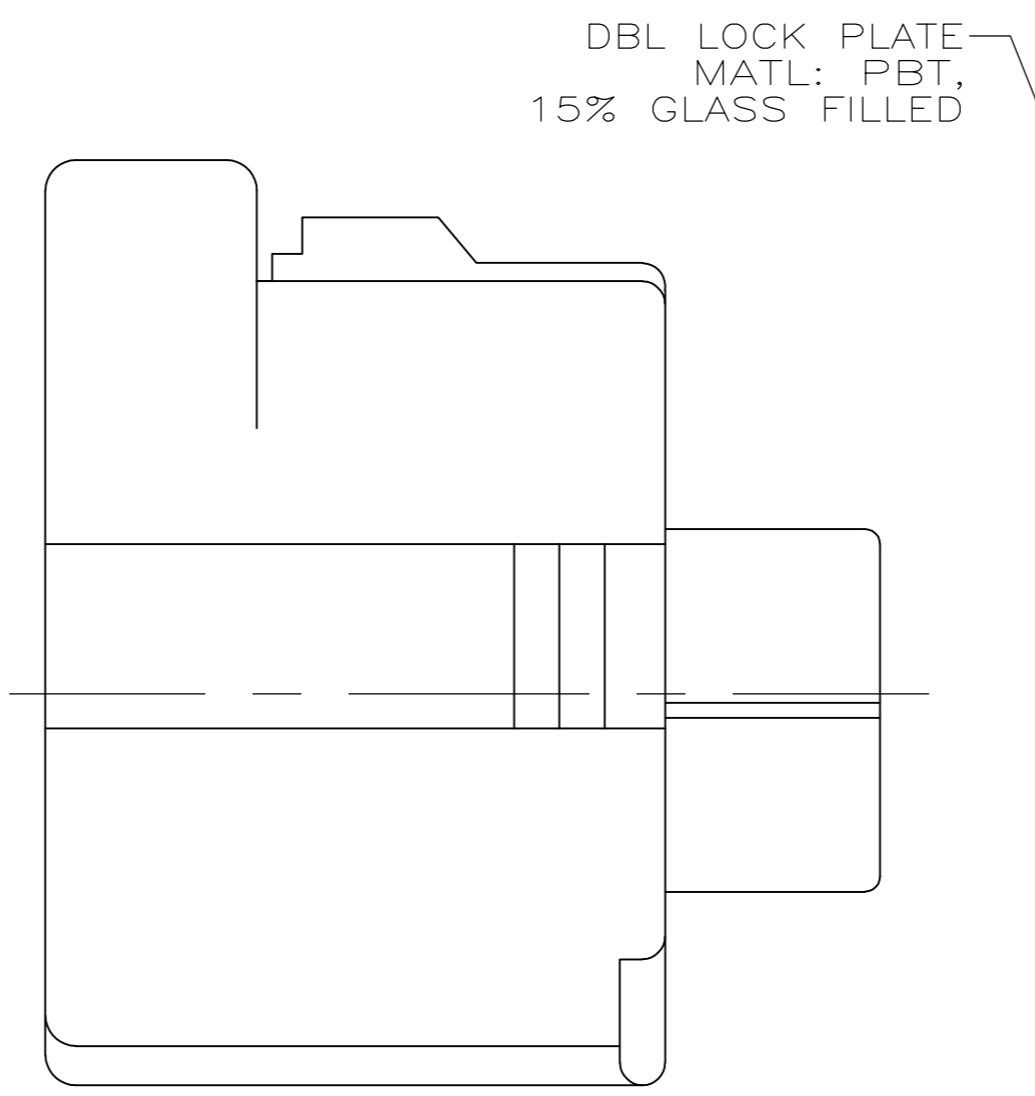
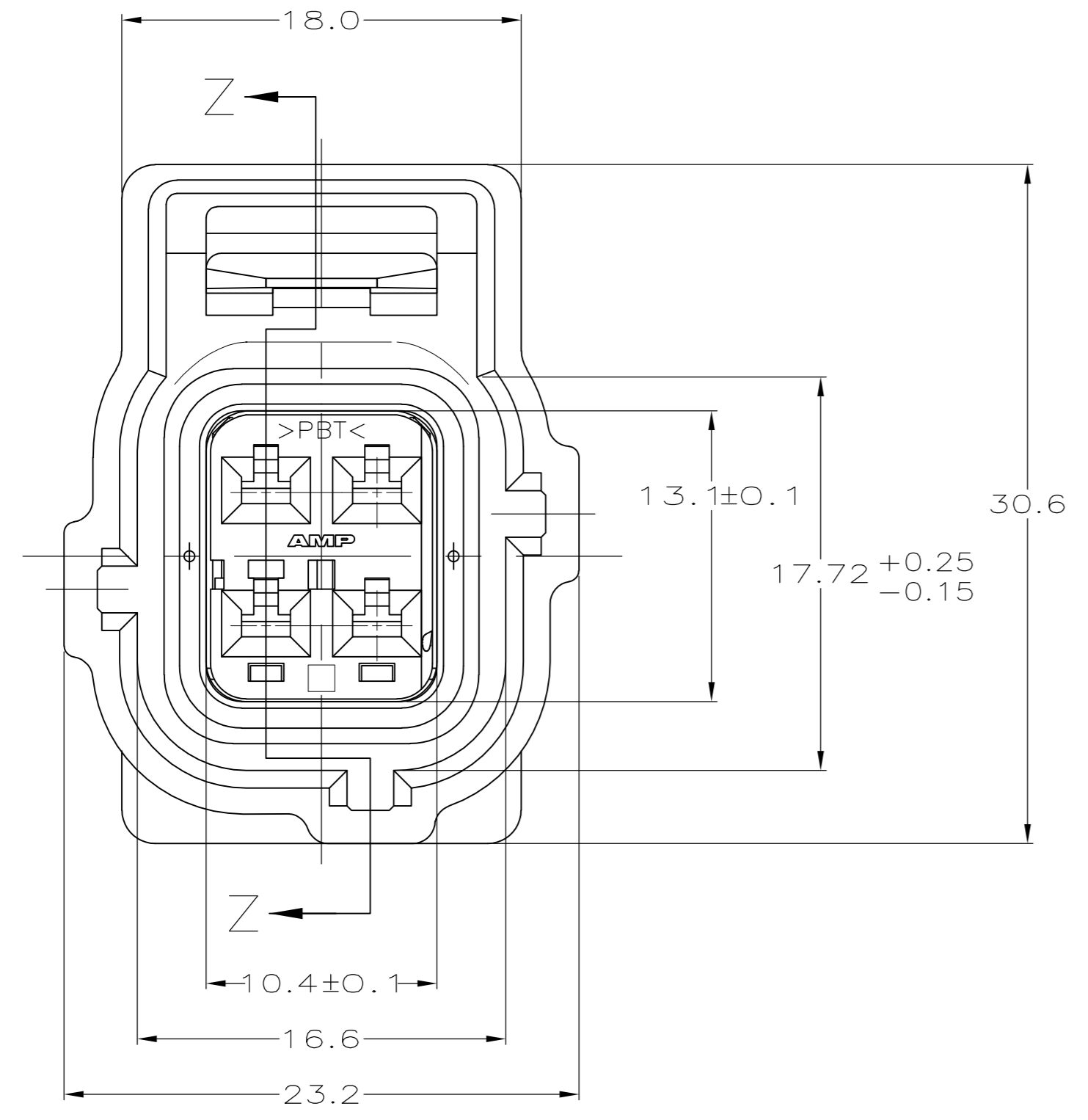


THIS DRAWING IS UNPUBLISHED. RELEASED FOR PUBLICATION
 © COPYRIGHT BY TYCO ELECTRONICS CORPORATION. ALL INTERNATIONAL RIGHTS RESERVED.

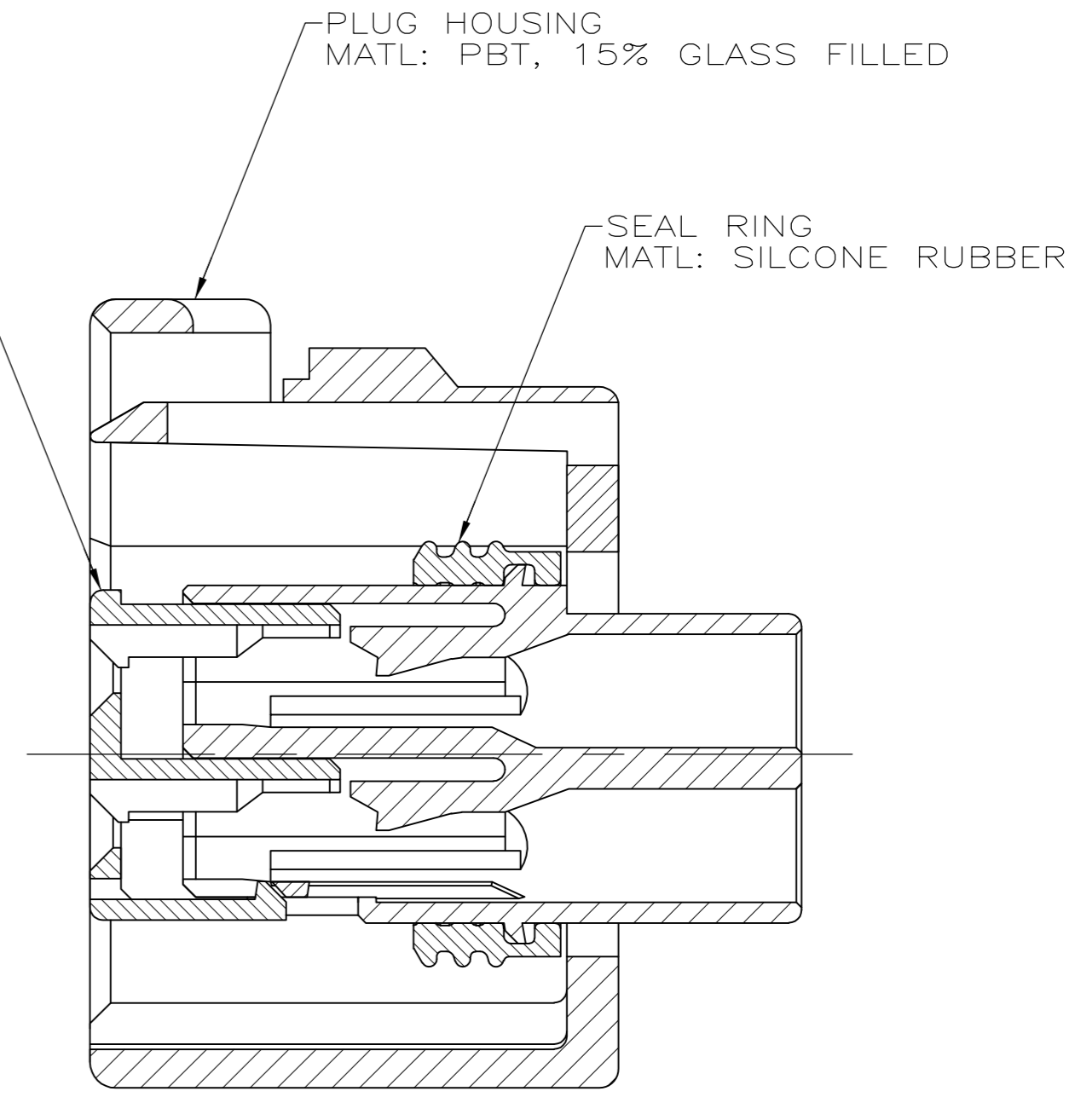
LOC	DIST	REVISIONS			
P	LTR	DESCRIPTION	DATE	DWN	APVD
GE	19	B	REVISED PER ECO-09-008507	09APR2009	DD MB



VIEW B-B



DBL LOCK PLATE
 MATL: PBT,
 15% GLASS FILLED



SECTION Z-Z
 SCALE 4:1

BLACK	184399-1
PLUG COLOR	PART NUMBER

THIS DRAWING IS A CONTROLLED DOCUMENT.		DWN	AJ GRAFF	01AUG01	Tyco Electronics Corporation Harrisburg, PA 17105-3608
DIMENSIONS: mm		CHK	K COBLE	01AUG01	
TOLERANCES UNLESS OTHERWISE SPECIFIED:		APVD	K COBLE	01AUG01	
0 PLC ± - 1 PLC ± 0.3 2 PLC ± 0.15 3 PLC ± - 4 PLC ± - ANGLES ± - FINISH -		PRODUCT SPEC	-	NAME	
MATERIAL		APPLICATION SPEC	-	SIZE	A2
		WEIGHT	-	CAGE CODE	00779
		CUSTOMER DRAWING	-	DRAWING NO	C=184399
				RESTRICTED TO	-
				SCALE	4:1
				SHEET	1 of 1
				REV	B