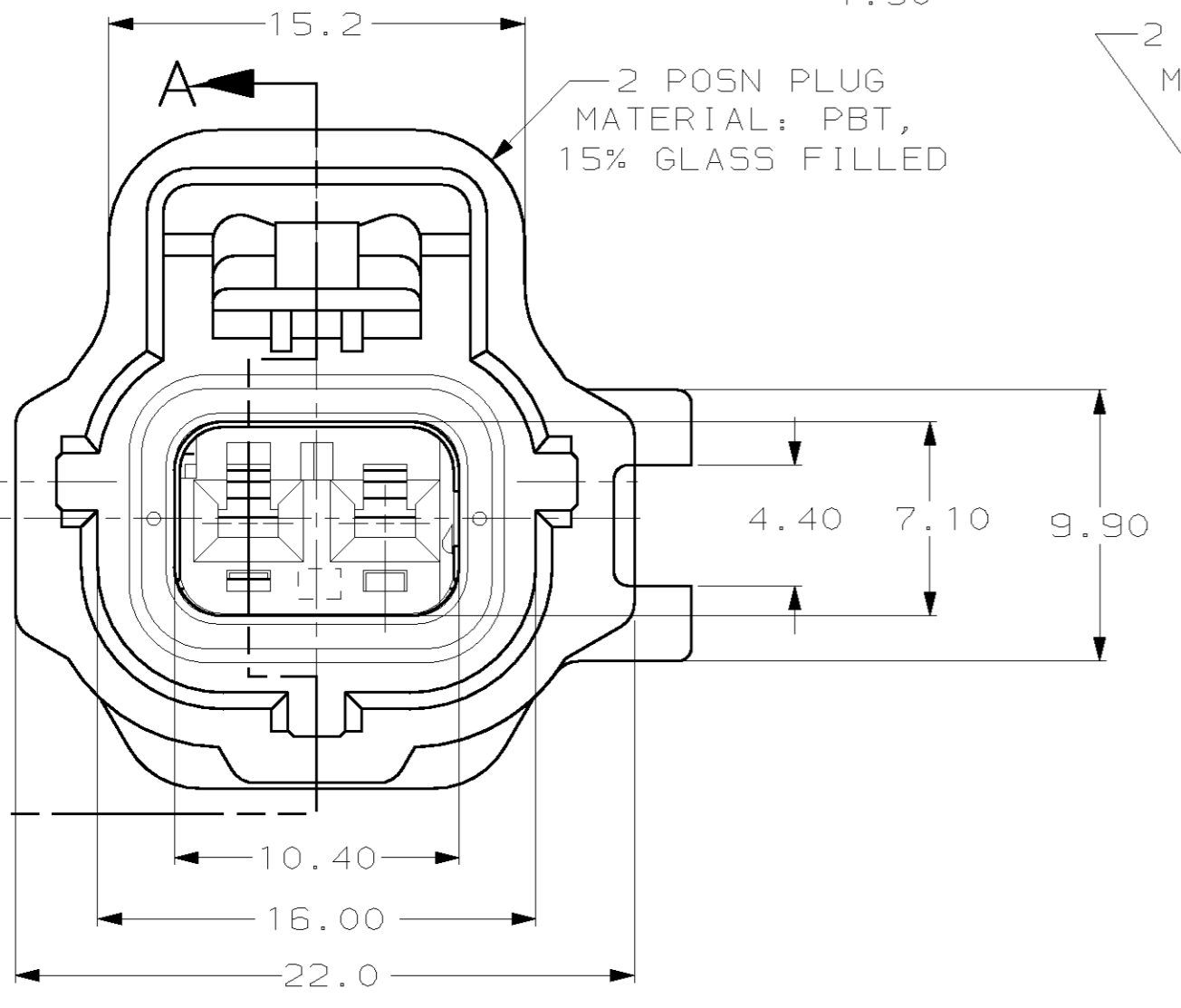
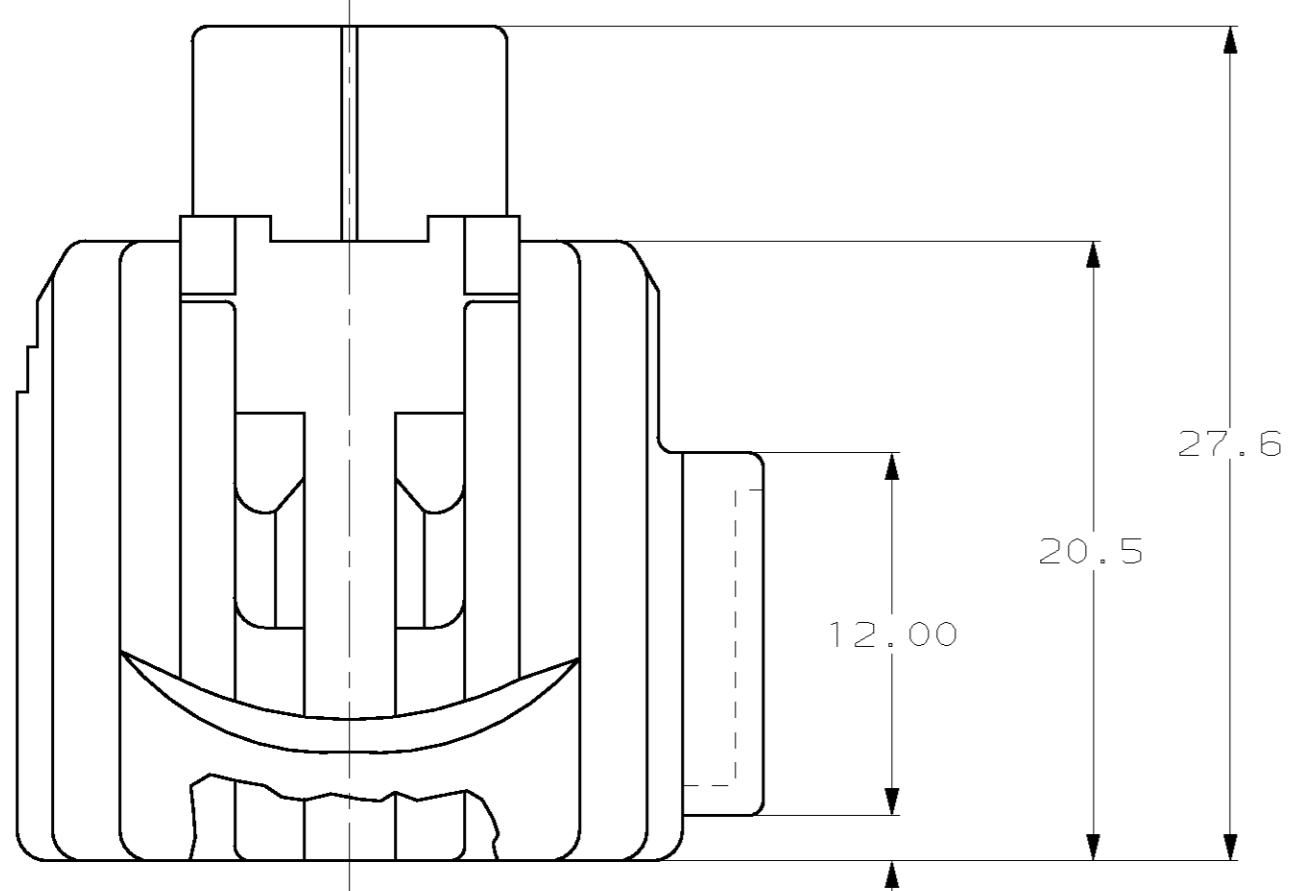
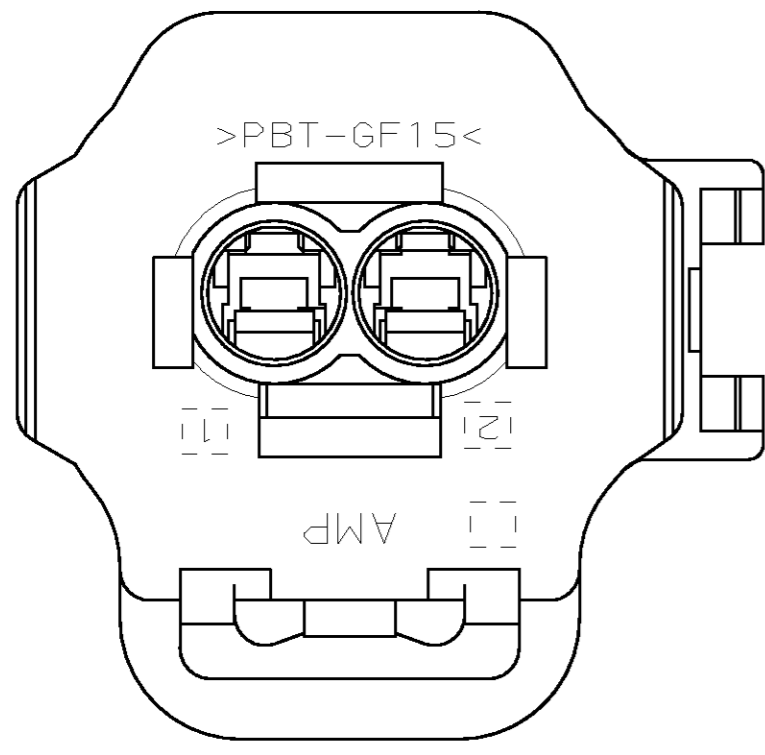


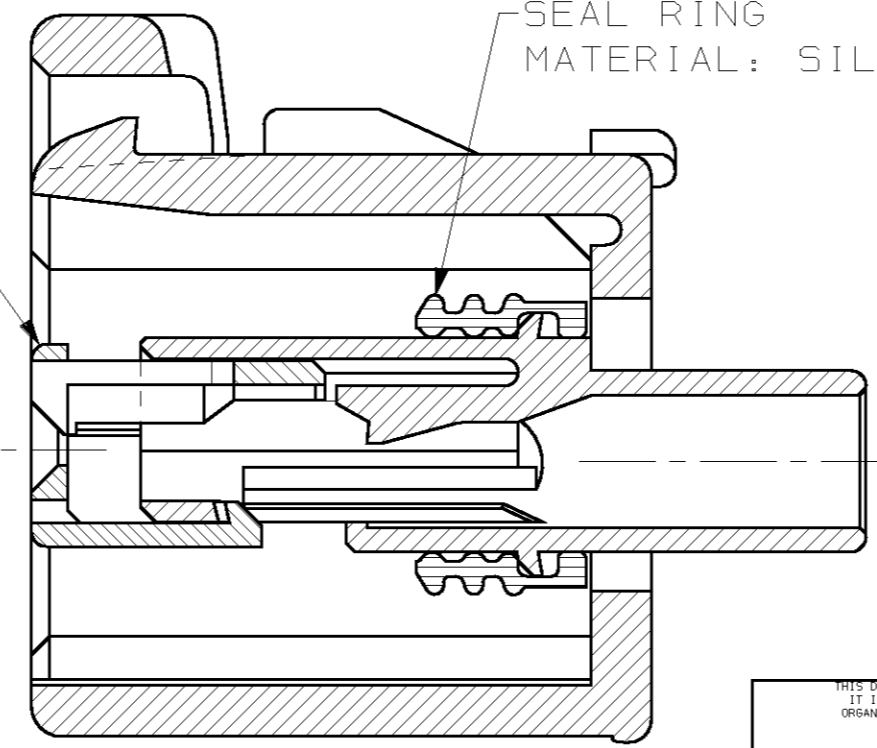
LOC		DIST		REVISIONS			
P	LTR	DESCRIPTION	DATE	DWN	APVD		
GE	00	A	REVISED PER EC 0K40-0720-01	28JAN02	AH	KC	



KEYING TYPE A

2 POSN PLUG  
 MATERIAL: PBT,  
 15% GLASS FILLED

2 POSN. DOUBLE LOCK PLATE  
 MATERIAL: PBT, 15% GLASS FILLED  
 SEAL RING  
 MATERIAL: SILICONE RUBBER



SECTION A-A

<small>THIS DRAWING IS A CONTROLLED DOCUMENT FOR AMP INCORPORATED. IT IS SUBJECT TO CHANGE AND THE CONTROLLING ENGINEERING ORGANIZATION SHOULD BE CONTACTED FOR THE LATEST REVISION.</small>		DWN P. COLLINS 10-27-00 CHK K. COBLE 10-27-00 APVD - 10-27-00	<b>AMP</b> AMP Incorporated Harrisburg, PA 17105-3608
DIMENSIONS: mm 		TOLERANCES UNLESS OTHERWISE SPECIFIED: 0 PLC ±- 1 PLC ±0.30 2 PLC ±0.15 3 PLC ±- 4 PLC ±- ANGLES ±1° FINISH -	NAME K. COBLE PRODUCT SPEC - APPLICATION SPEC - WEIGHT - CUSTOMER DRAWING
PLUG COLOR BLACK PART NO 184375-1		2 POSITION PLUG ASSY. KEYING TYPE A	
SIZE A2 CAGE CODE 00779 DRAWING NO C-184375		SCALE 4:1 SHEET 1 OF 1 REV A	

184375