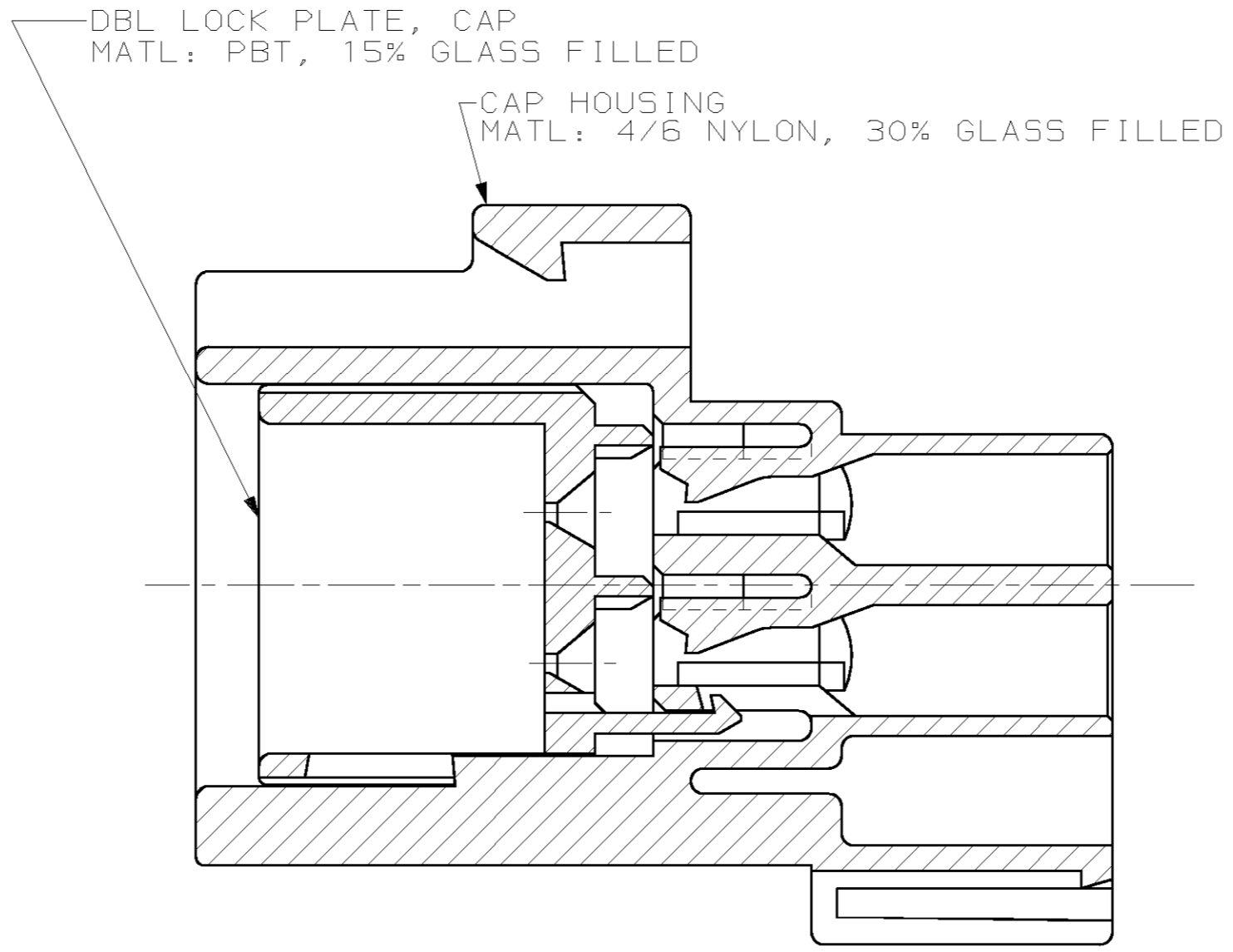
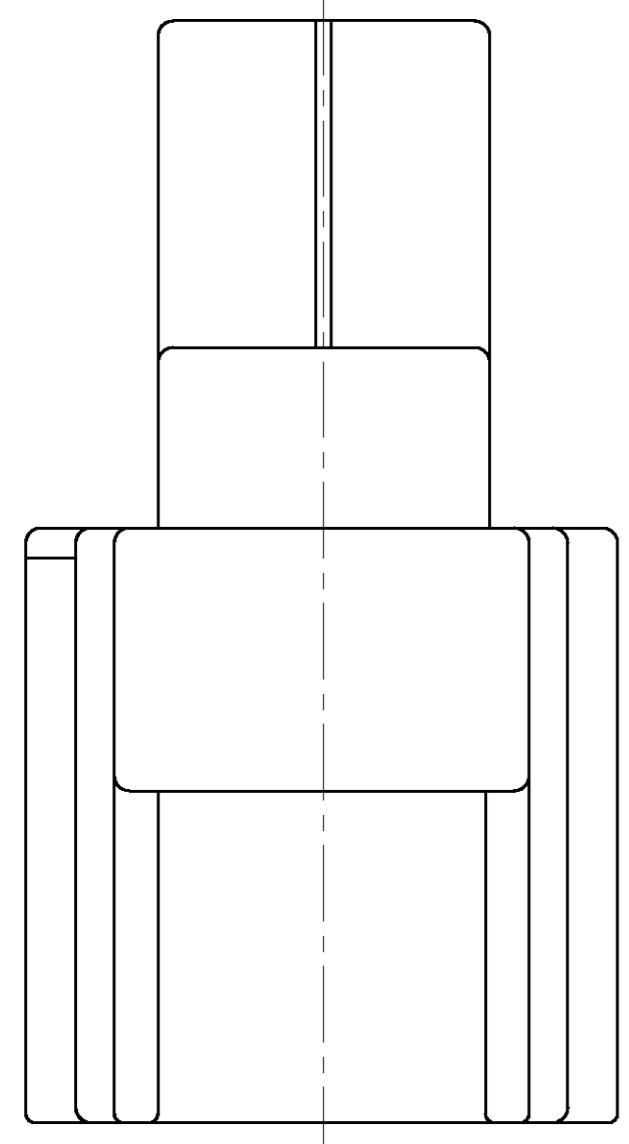
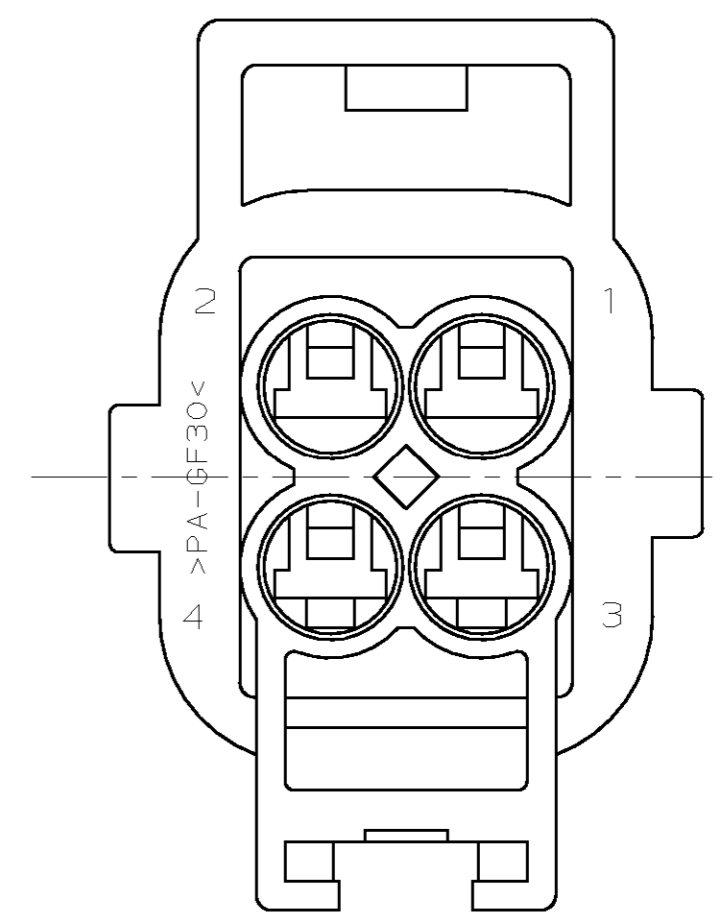
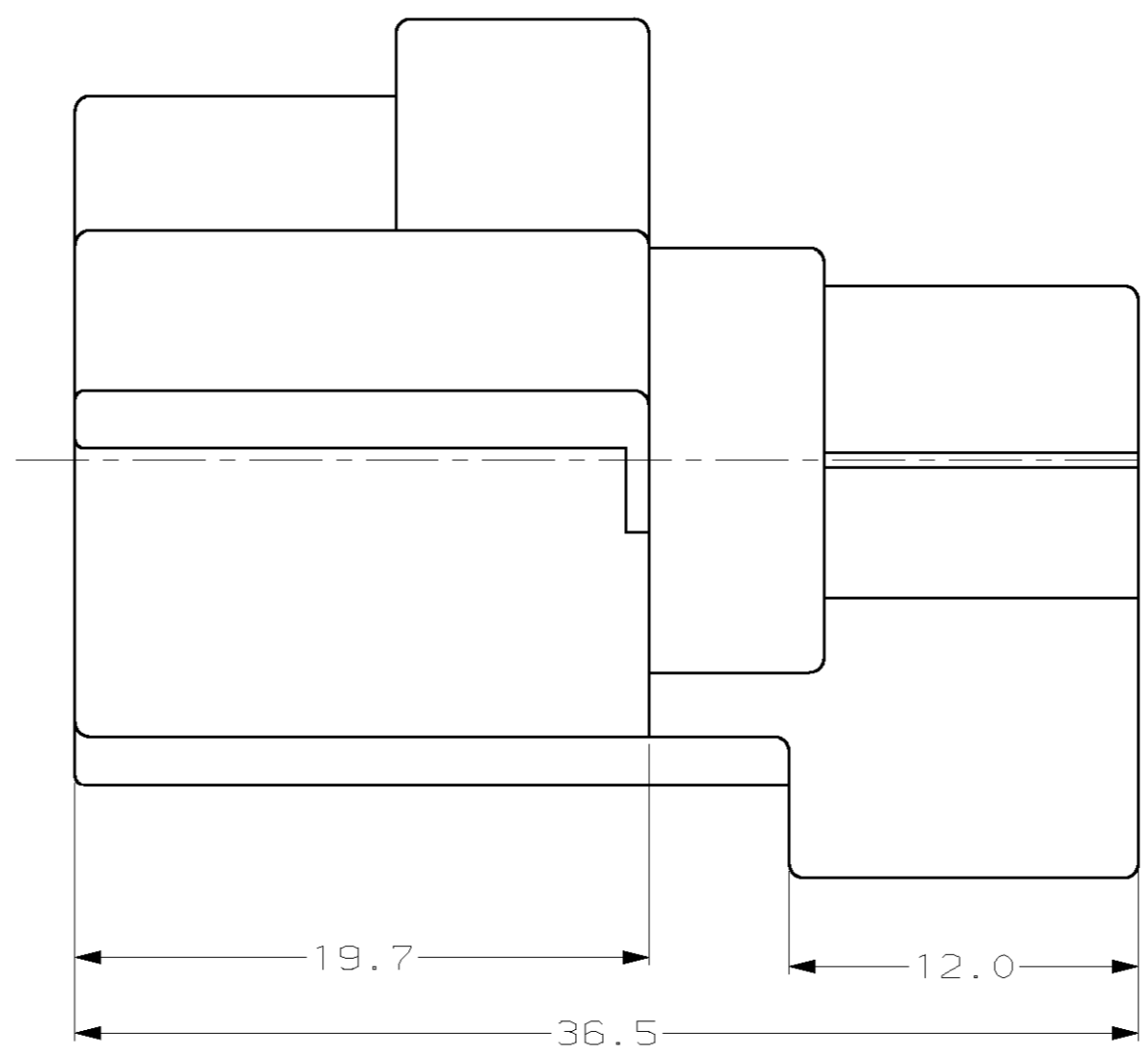
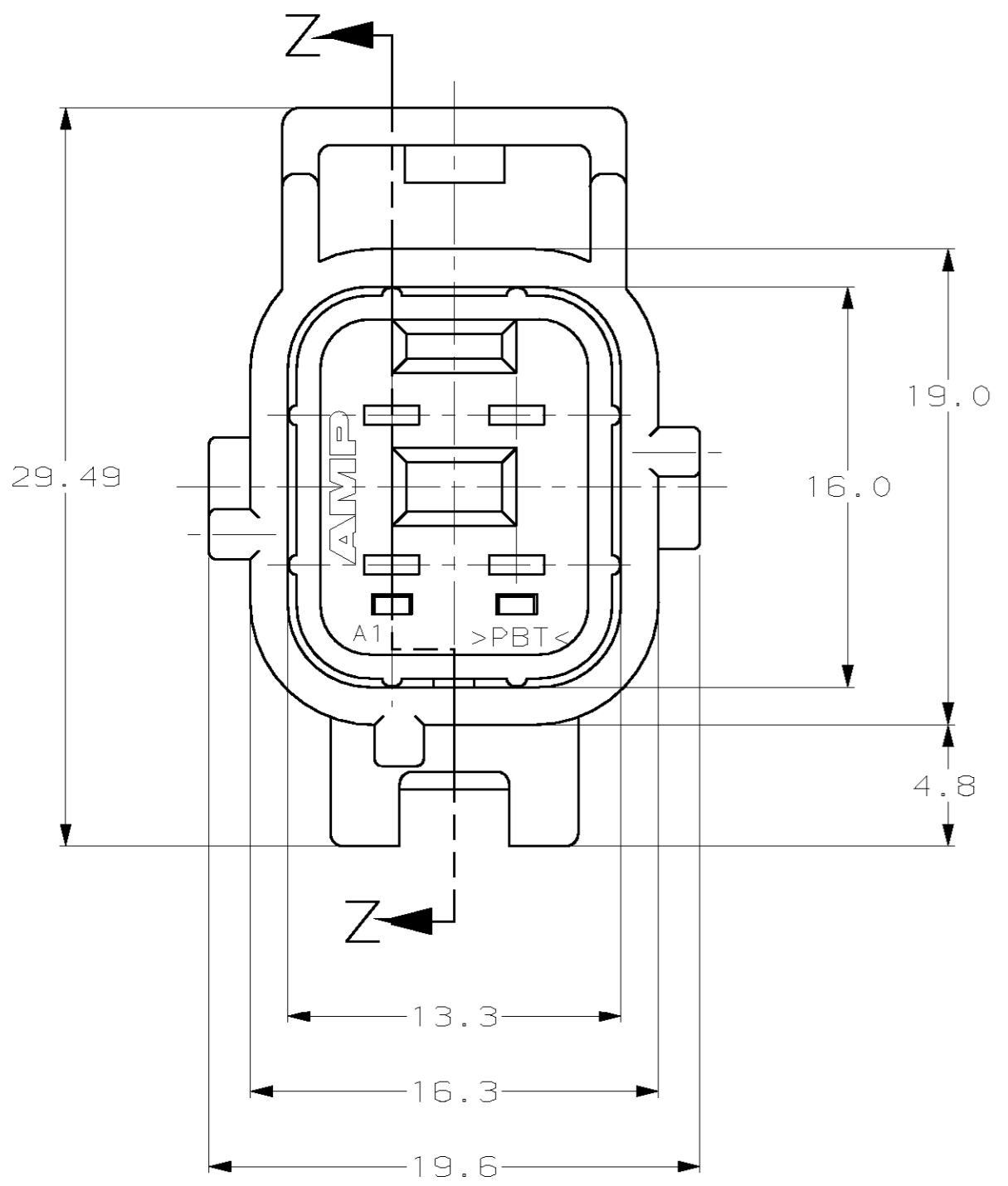


THIS DRAWING IS UNPUBLISHED. RELEASED FOR PUBLICATION .19
 © COPYRIGHT 19 BY AMP INCORPORATED. ALL RIGHTS RESERVED.

LOC	DIST	REVISIONS			
P	LTR	DESCRIPTION	DATE	DWN	APVD
GE	00	C	REVISED PER EC 0K40-0023-00	04FEB00	PY GI
		D	REV PER EC# 0K40-0143-00	22JUN00	PC MH
		D1	CORRECTED DATE FOR REV D	4AUG00	PC MH



SECTION Z-Z



GRAY	184332-2
NATURAL	184332-1
CAP COLOR	PART NUMBER

THIS DRAWING IS A CONTROLLED DOCUMENT.		DWN P. YEAGER	04JUN99	AMP AMP Incorporated Harrisburg, PA 17105-3608
DIMENSIONS: mm		CHK J. KUNKLE	04JUN99	
TOLERANCES UNLESS OTHERWISE SPECIFIED:		APVD J. KUNKLE	04JUN99	NAME
0 PLC ±-		PRODUCT SPEC		2 x 2 CAP ASY, KEY G-C4
1 PLC ±0.3		APPLICATION SPEC		SIZE
2 PLC ±0.15		WEIGHT		CAGE CODE
3 PLC ±-		CUSTOMER DRAWING		DRAWING NO
4 PLC ±-		SCALE 4:1		A2 00779
ANGLES ±-		SHEET 1 OF 1		REV D1
FINISH -		REV		

184332