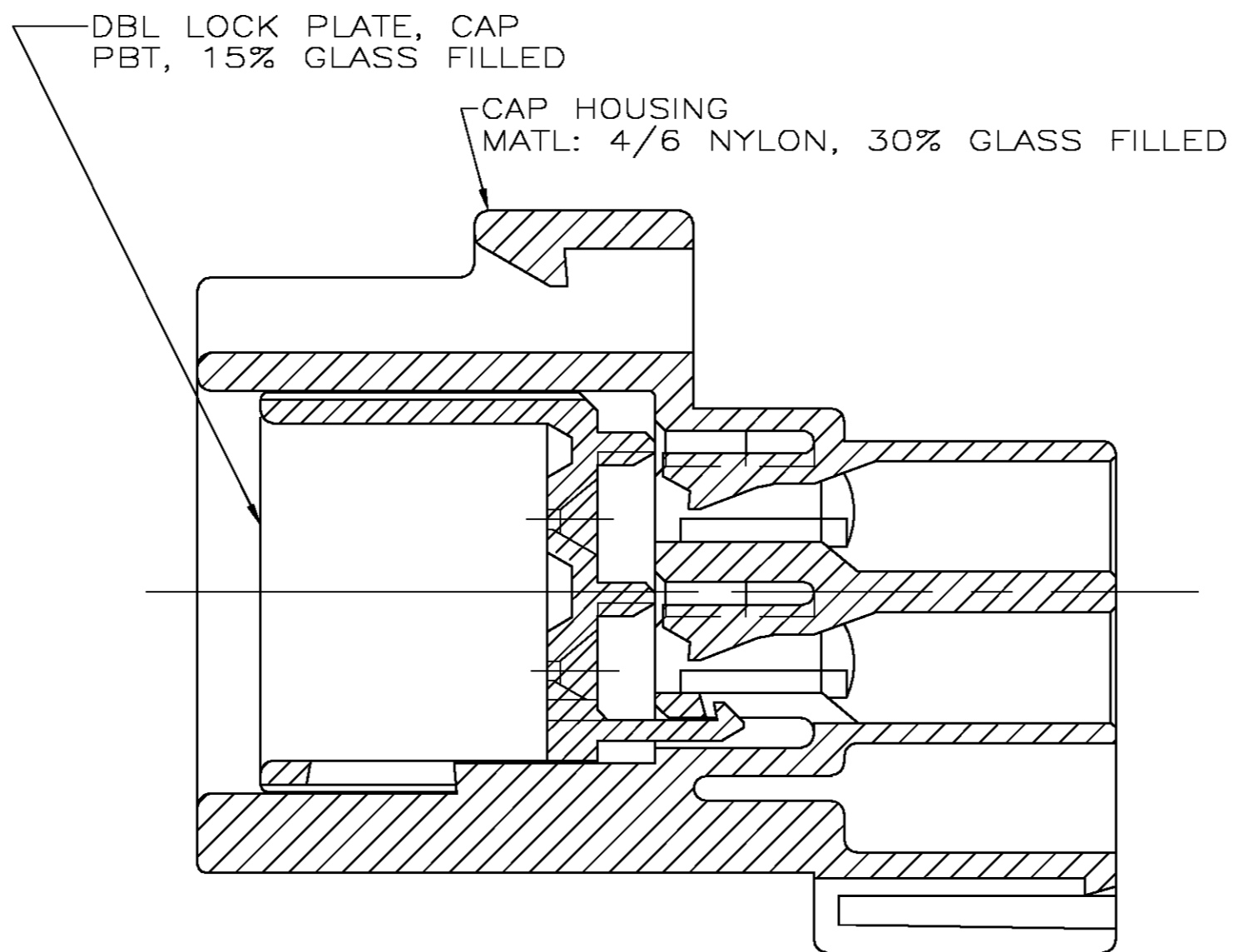
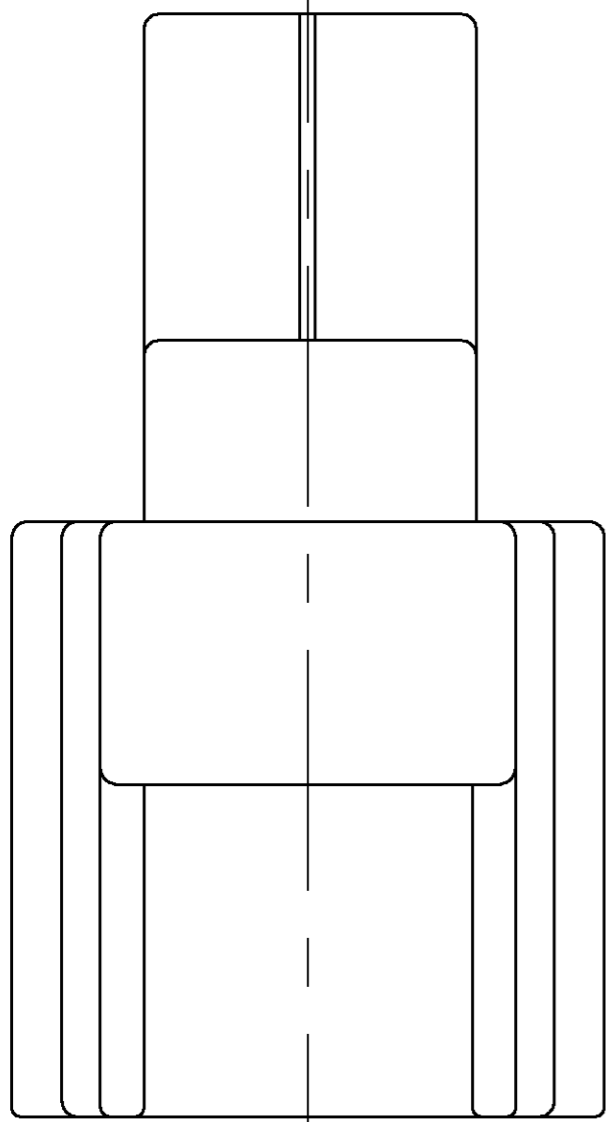
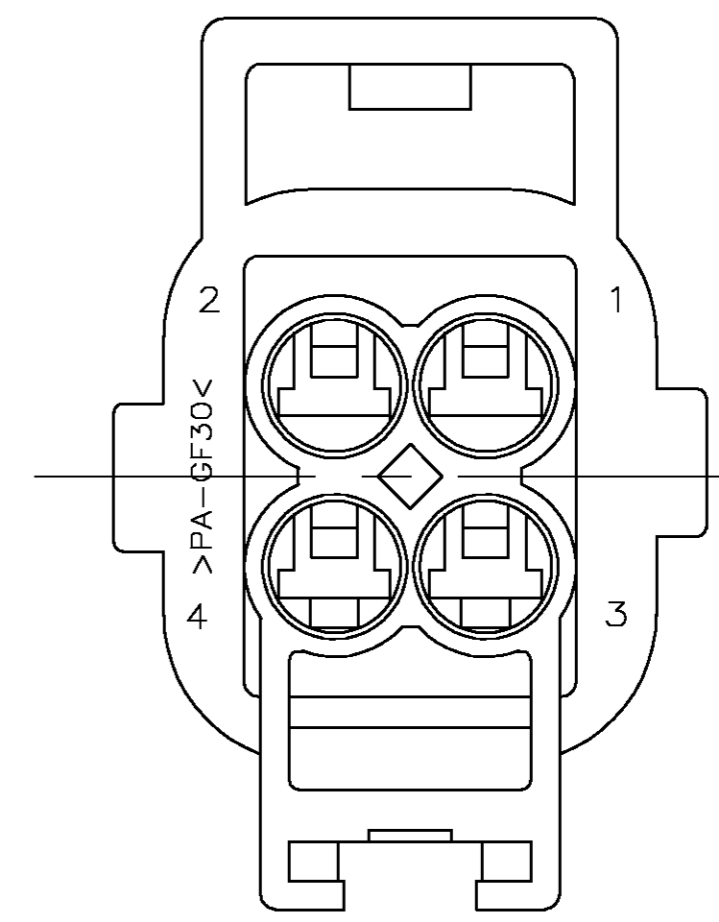
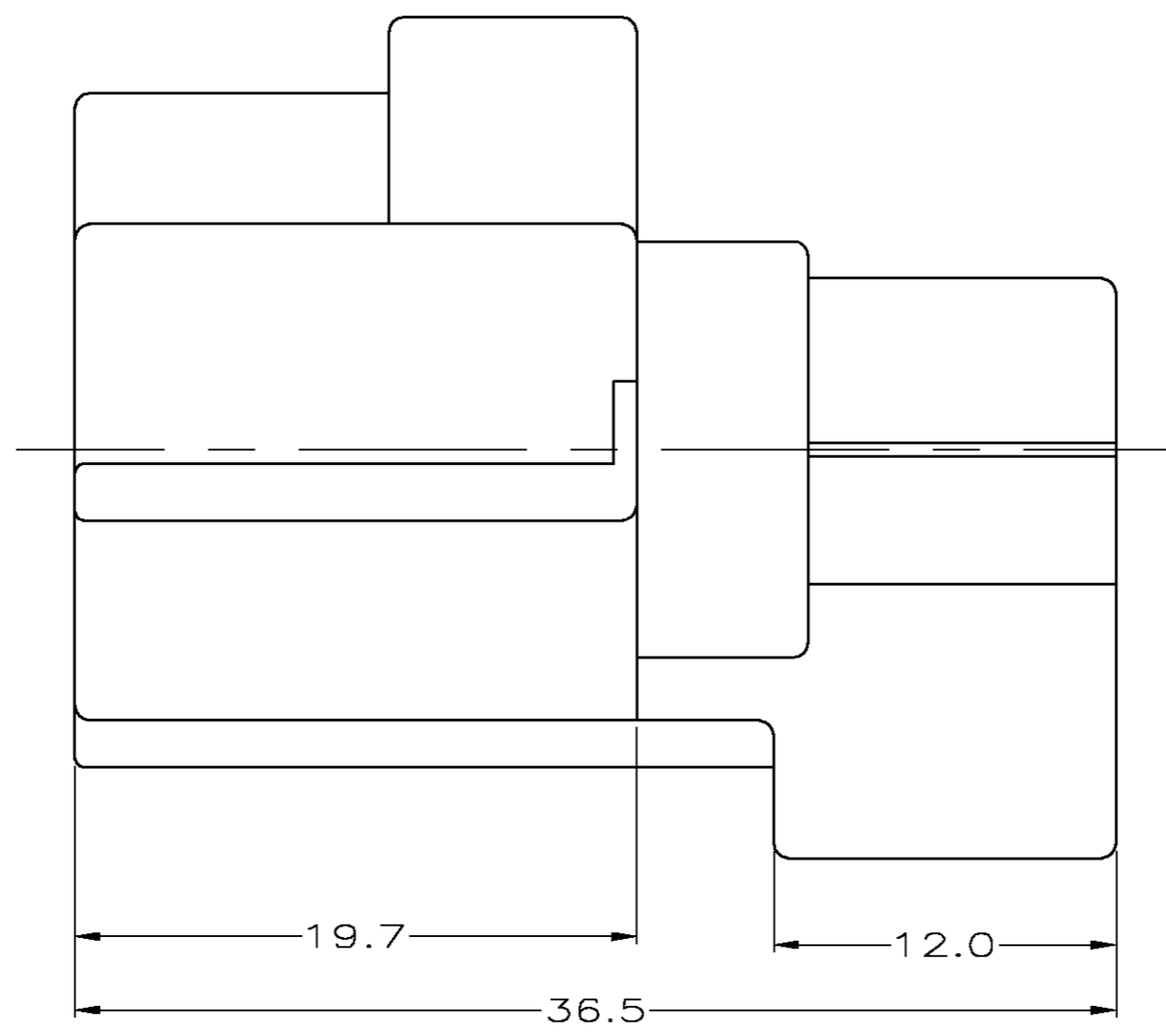
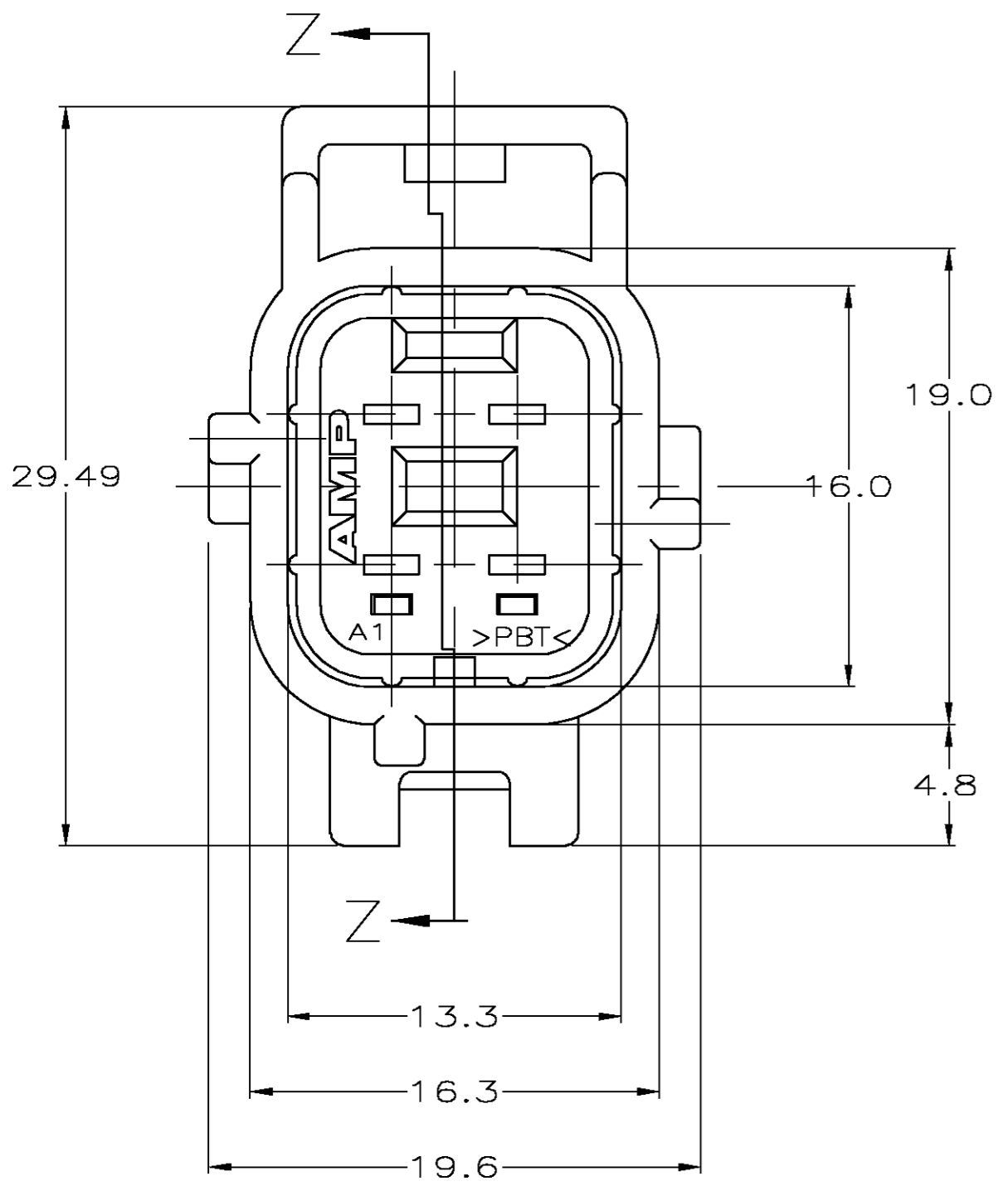


THIS DRAWING IS UNPUBLISHED. RELEASED FOR PUBLICATION
 © COPYRIGHT BY TYCO ELECTRONICS CORPORATION. ALL RIGHTS RESERVED.

| LOC | DIST | REVISIONS | | | | | |
|-----|------|-----------|-----|-----------------|---------|-----|------|
| GE | 00 | P | LTR | DESCRIPTION | DATE | DWN | APVD |
| | | C | | EC 0K40-0014-03 | 03FEB03 | JRB | KLC |



SECTION Z-Z
SCALE 4:1



| | |
|-----------|-------------|
| BLACK | 184330-1 |
| CAP COLOR | PART NUMBER |

| | | | |
|--|--|-----------------------|---|
| THIS DRAWING IS A CONTROLLED DOCUMENT. | | DWN P.YEAGER 04JUN99 | Tyco Electronics Corporation Harrisburg, PA 17105-3608 |
| DIMENSIONS: MM | | CHK J.KUNKLE 04JUN99 | |
| TOLERANCES UNLESS OTHERWISE SPECIFIED: | | APVD J.KUNKLE 04JUN99 | NAME 2 X 2 CAP ASY, KEY F-C4 |
| 0 PLC ± - | | PRODUCT SPEC | SIZE A2 |
| 1 PLC ± 0.3 | | APPLICATION SPEC | CAGE CODE 00779 |
| 2 PLC ± 0.30 | | WEIGHT - | DRAWING NO C=184330 |
| 3 PLC ± - | | CUSTOMER DRAWING | RESTRICTED TO - |
| 4 PLC ± - | | SCALE 4:1 | SHEET 1 OF 1 |
| ANGLES ± - | | | REV C |
| FINISH - | | | |