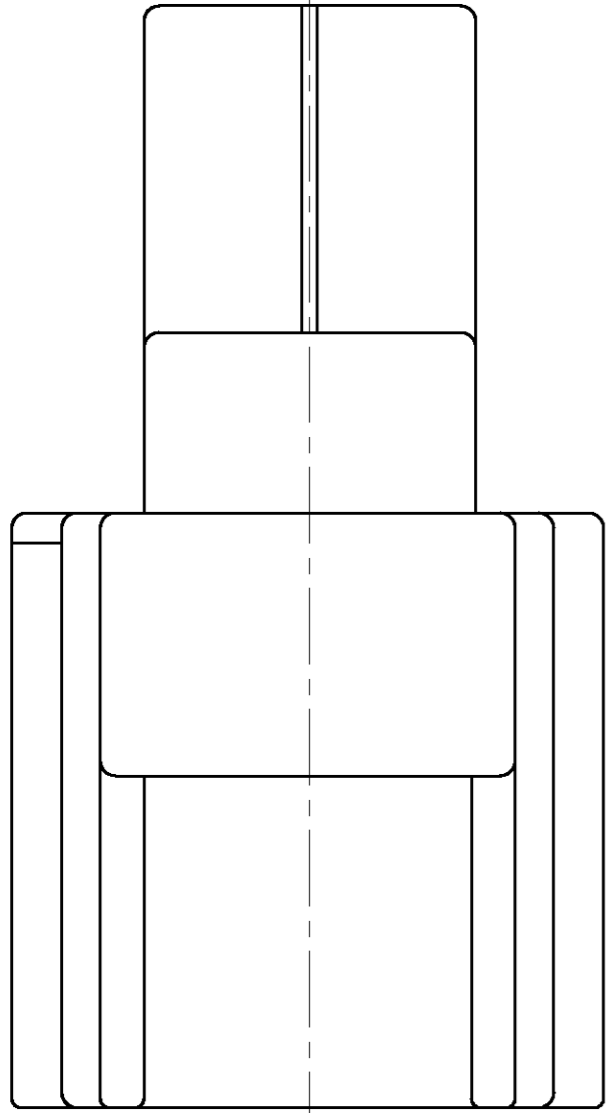


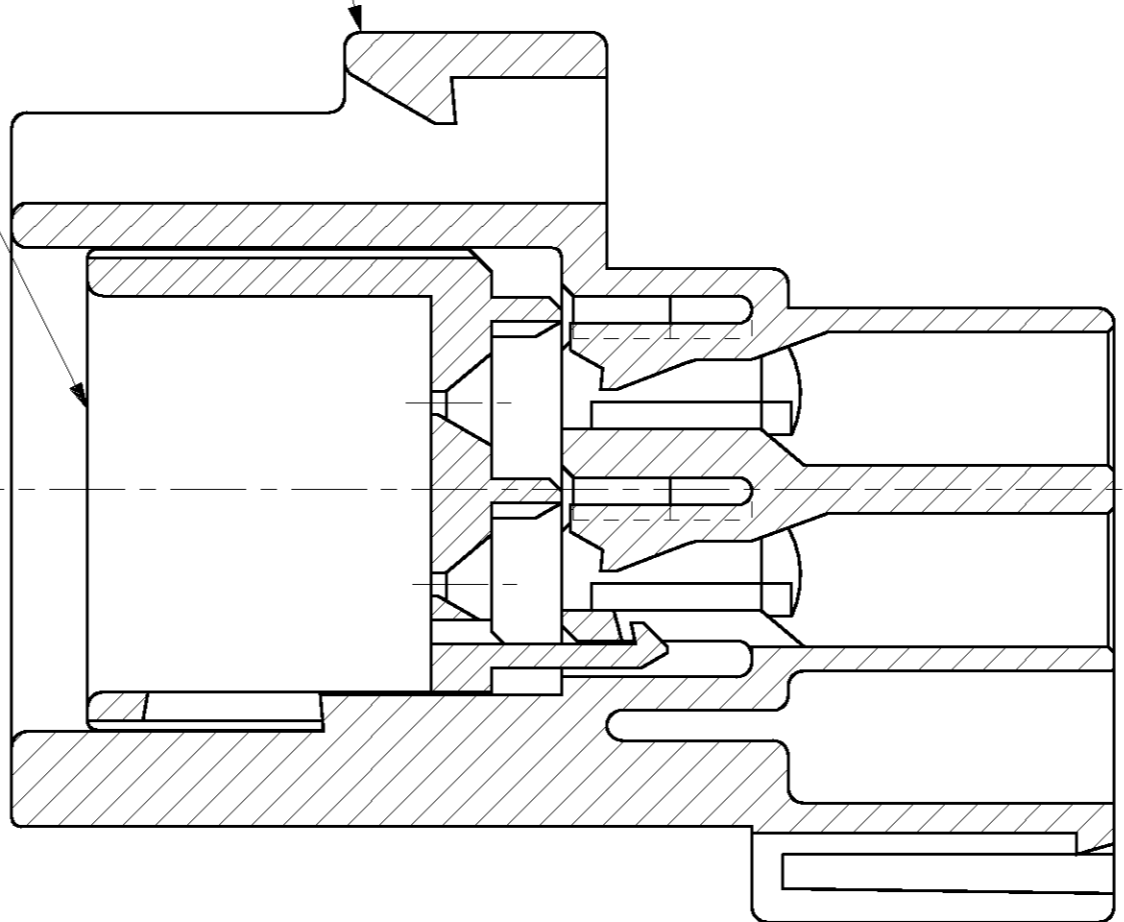
THIS DRAWING IS UNPUBLISHED. RELEASED FOR PUBLICATION .19
 © COPYRIGHT 19 BY AMP INCORPORATED. ALL RIGHTS RESERVED.

LOC	DIST	REVISIONS			
P	LTR	DESCRIPTION	DATE	DWN	APVD
GE	00	C	REV PER NPR 00-37 & EC 0K40-0149-00	16JUN00	PY MH
		D	REV PER EC# 0K40-0143-00	6-22-00	PC MH

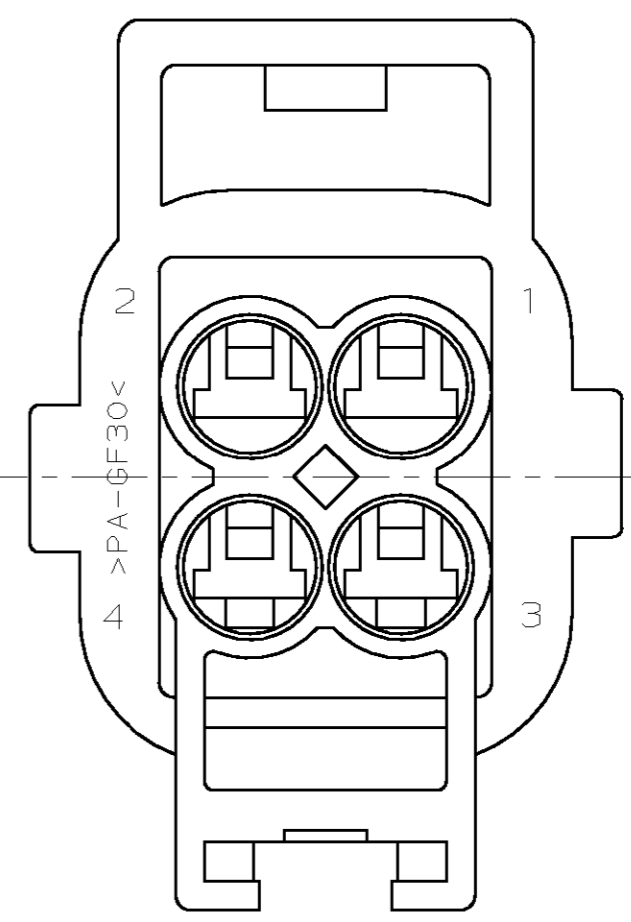
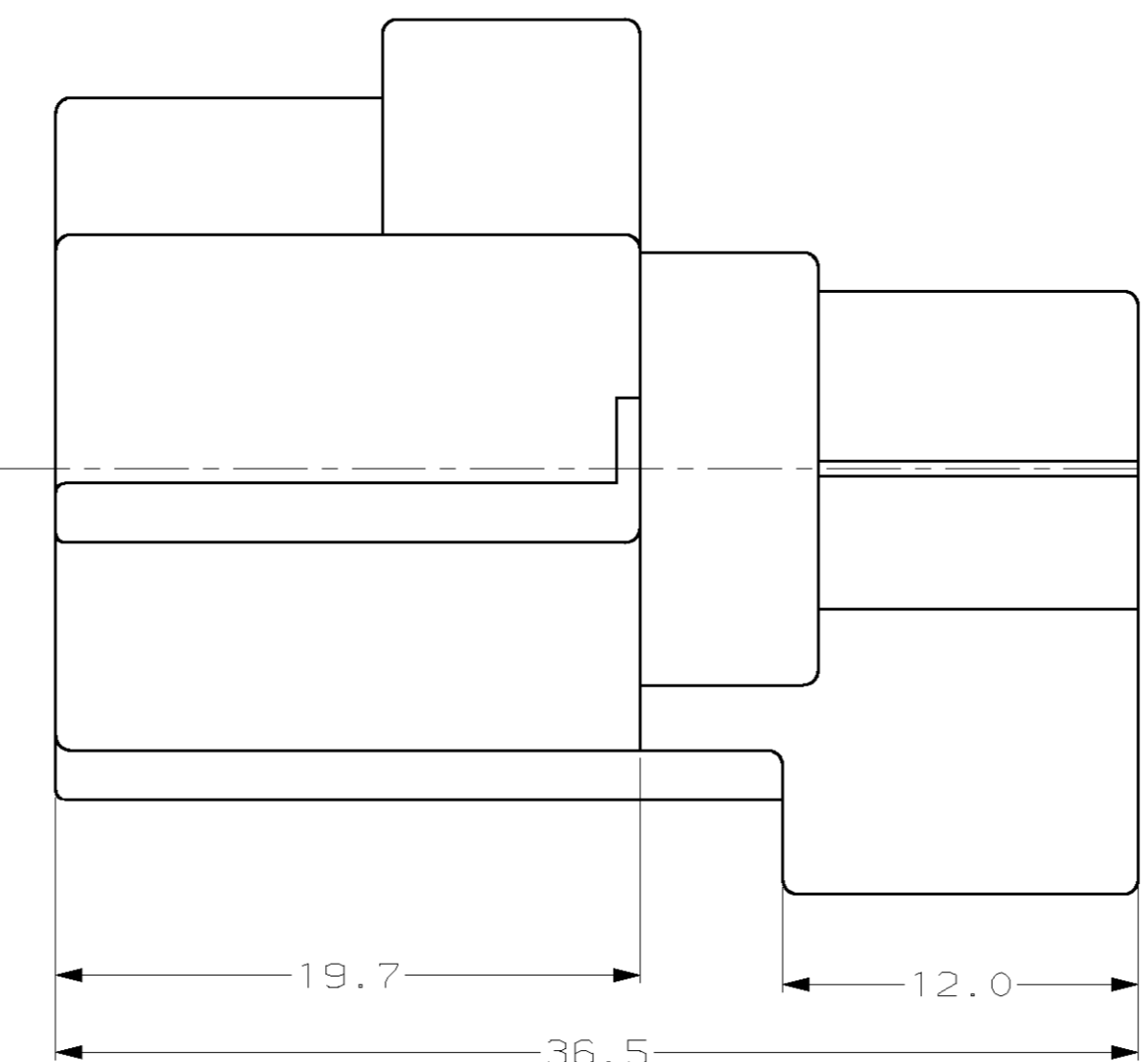
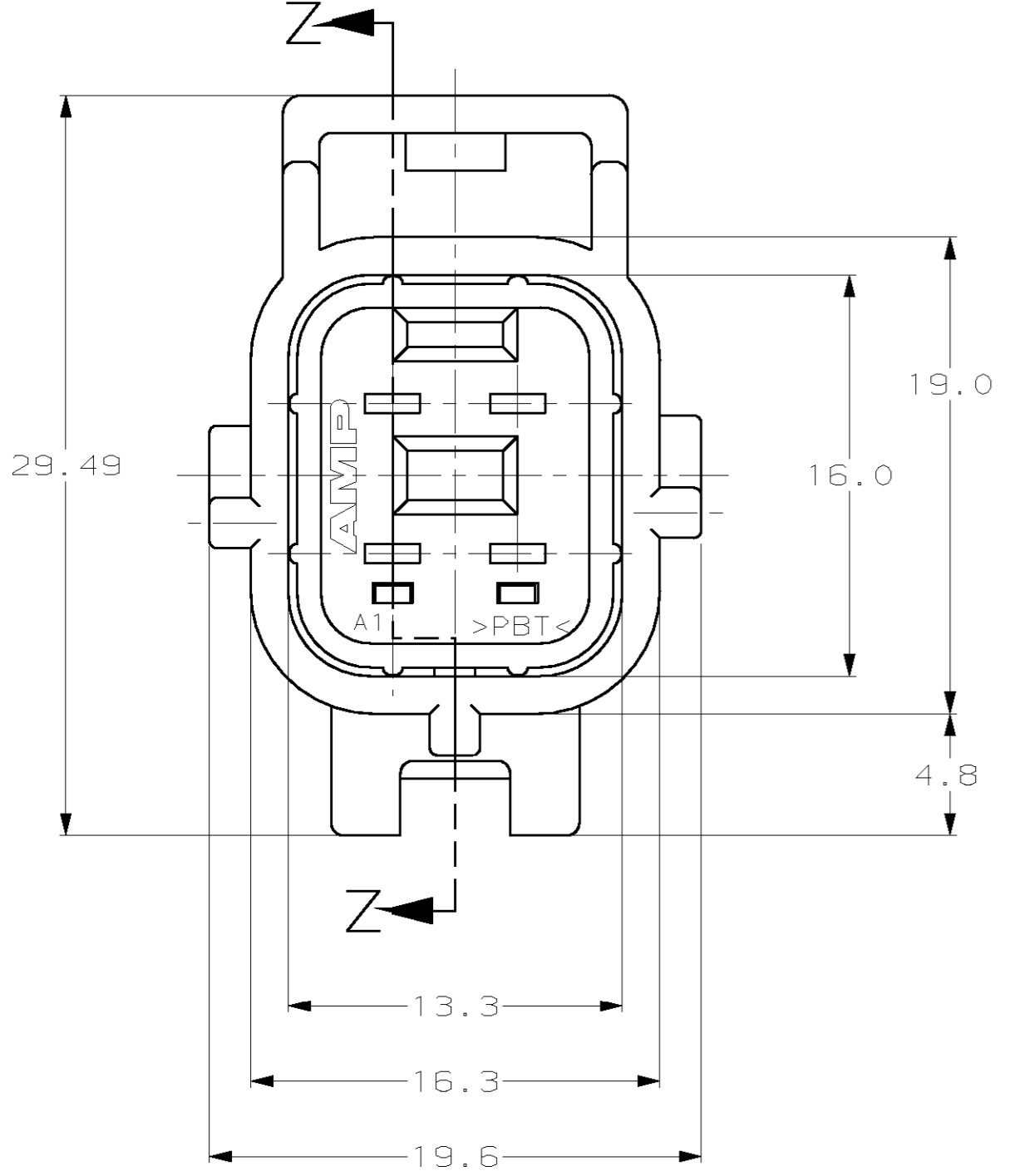


DBL LOCK PLATE, CAP
 MATL: PBT, 15% GLASS FILLED

CAP HOUSING
 MATL: 4/6 NYLON, 30% GLASS FILLED



SECTION Z-Z
 SCALE 4:1



NATURAL	184307-2
BLACK	184307-1
CAP COLOR	PART NUMBER

THIS DRAWING IS A CONTROLLED DOCUMENT.		DWN	KD LYTLE	05/13/97	AMP Incorporated Harrisburg, PA 17105-3608
DIMENSIONS:		CHK	CT HYRB	05/13/97	
TOLERANCES UNLESS OTHERWISE SPECIFIED:		APVD	CT HYRB	05/13/97	
MATERIAL		NAME		PRODUCT SPEC	
mm	0 PLC ±-	NAME		APPLICATION SPEC	2 X 2 CAP ASY, KEY D-C4
	1 PLC ±0.3	SIZE		WEIGHT	
	2 PLC ±0.15	CAGE CODE		CUSTOMER DRAWING	A2 00779
	3 PLC ±-	DRAWING NO		SCALE	4:1
	4 PLC ±-	SHEET		OF	1
	ANGLES ±-	REV			D
	FINISH ±-				

184307