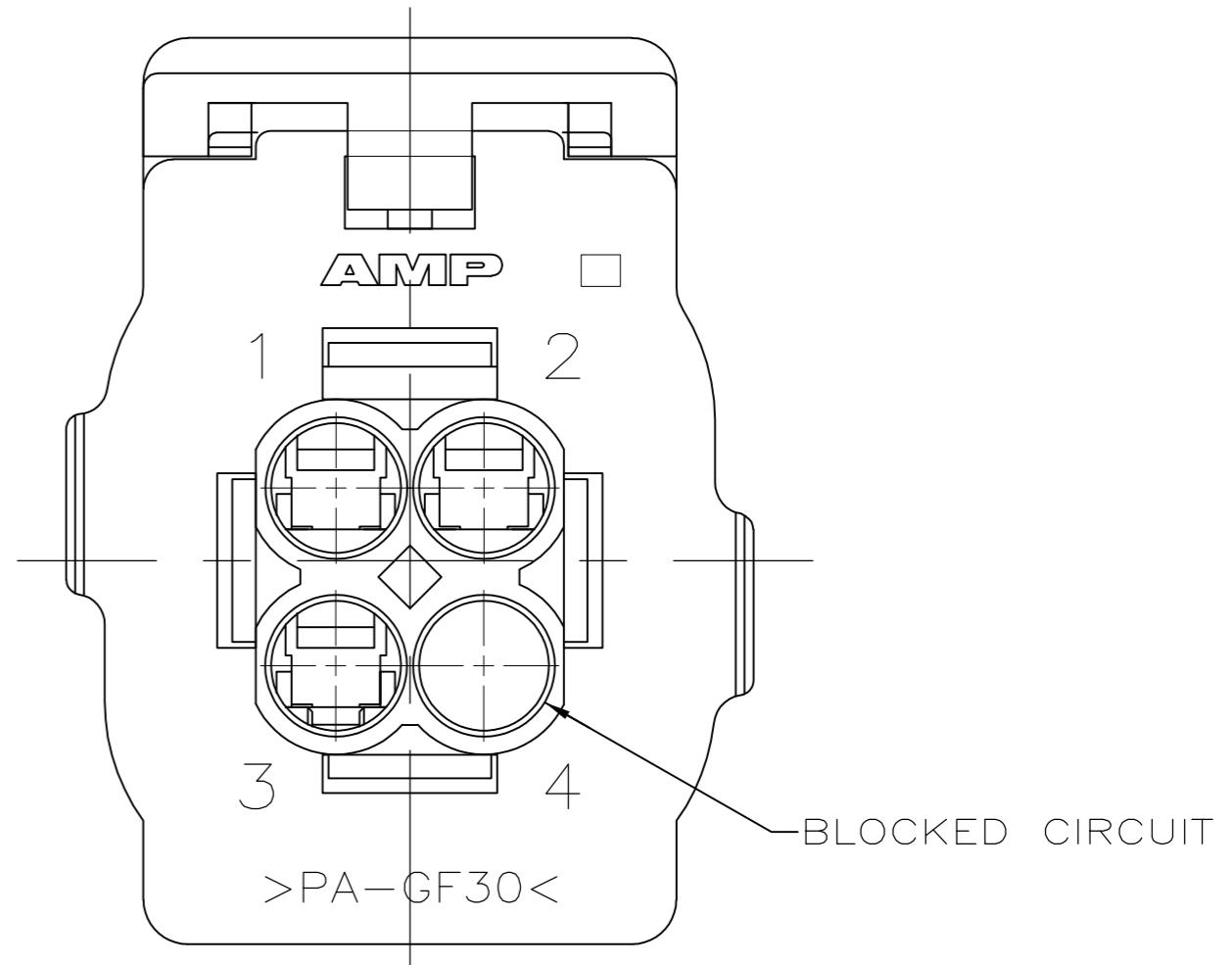
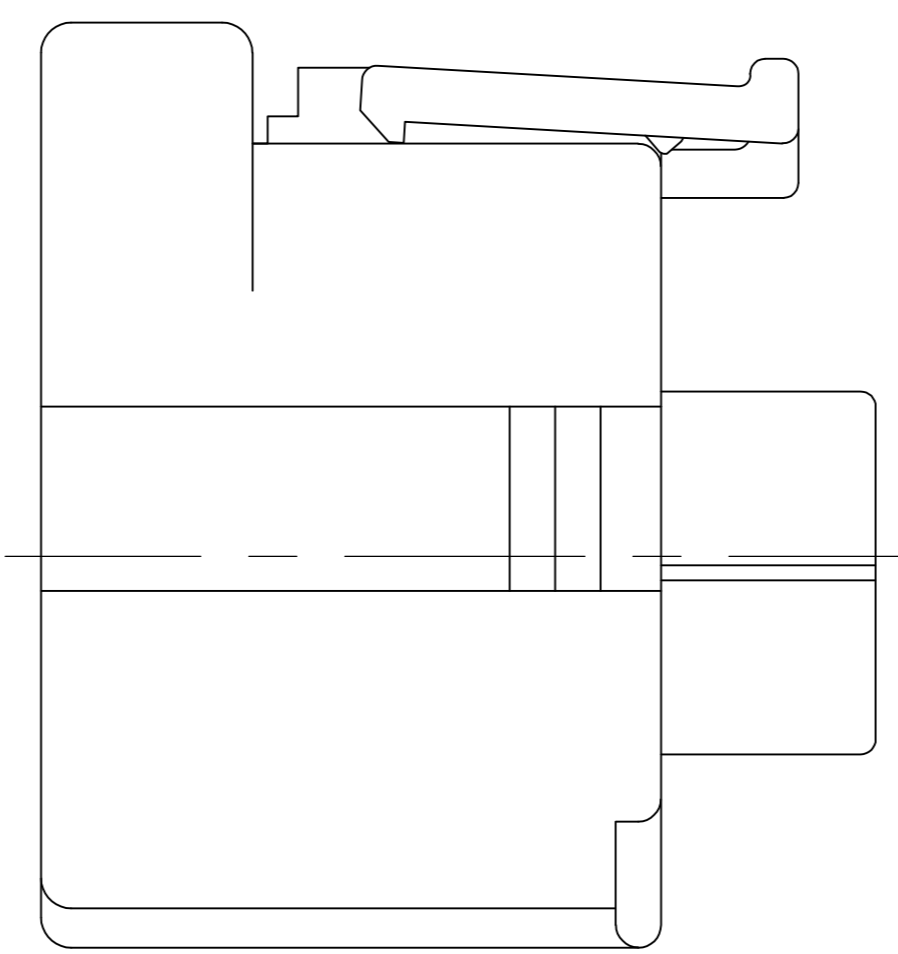
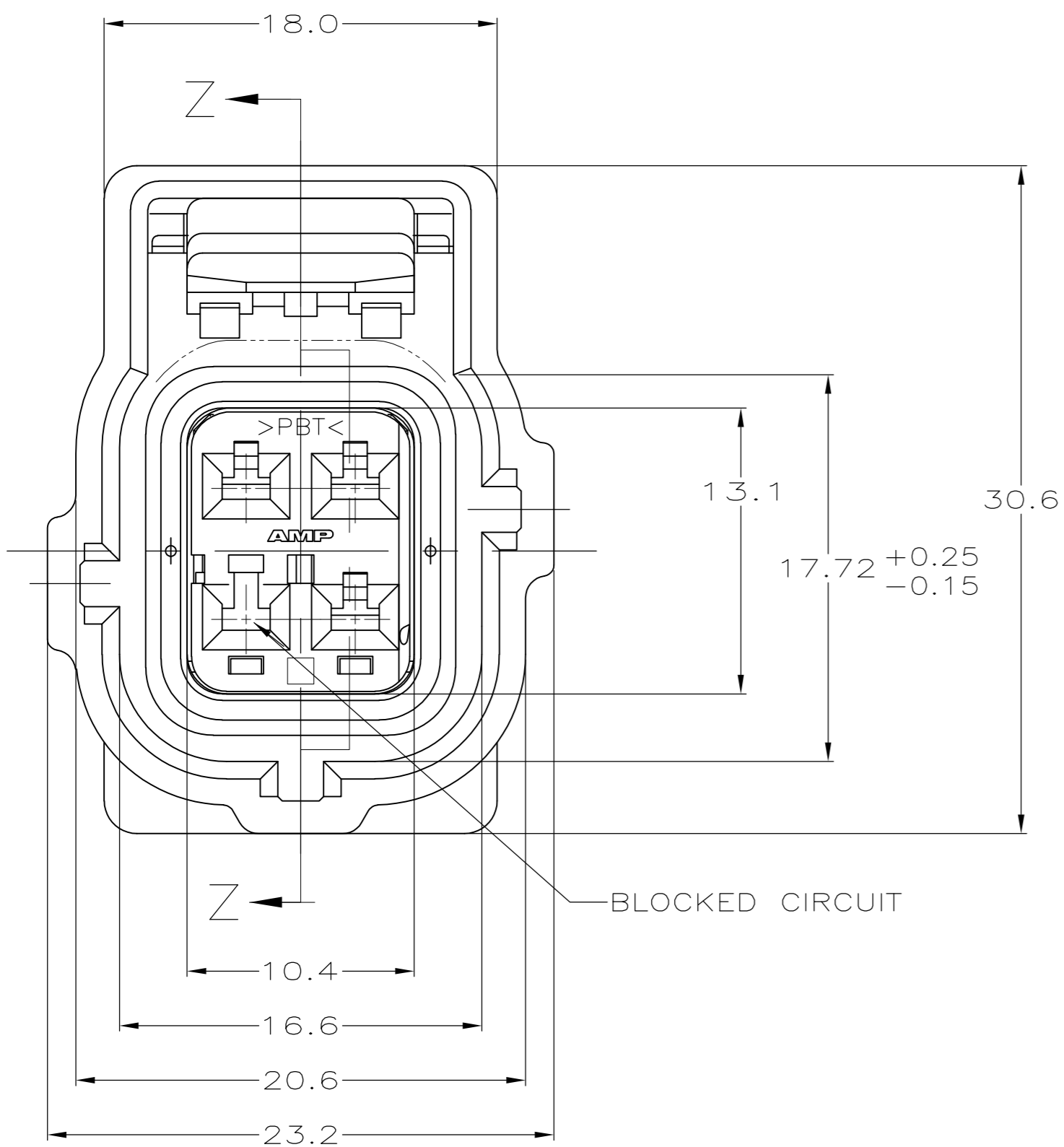
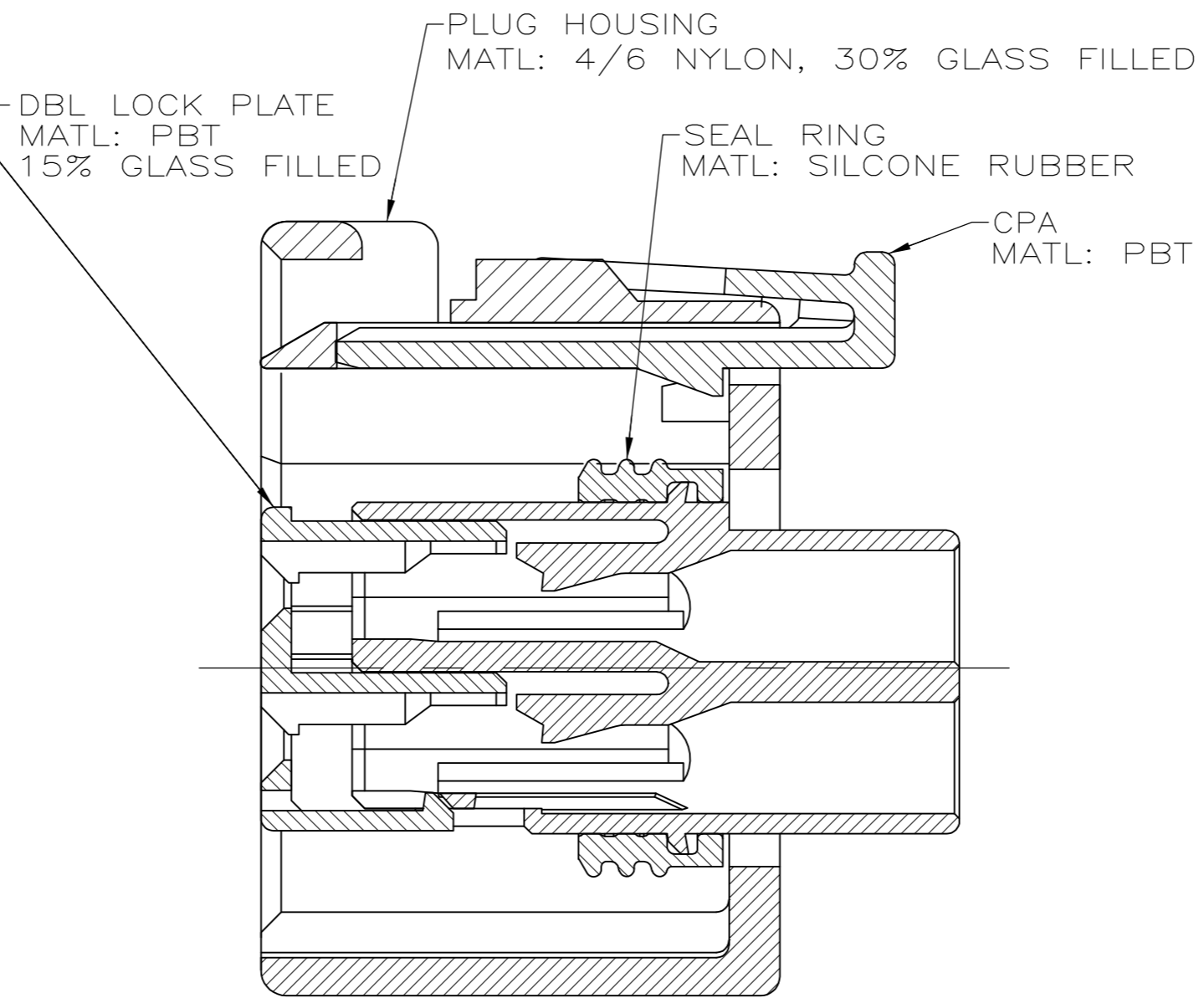
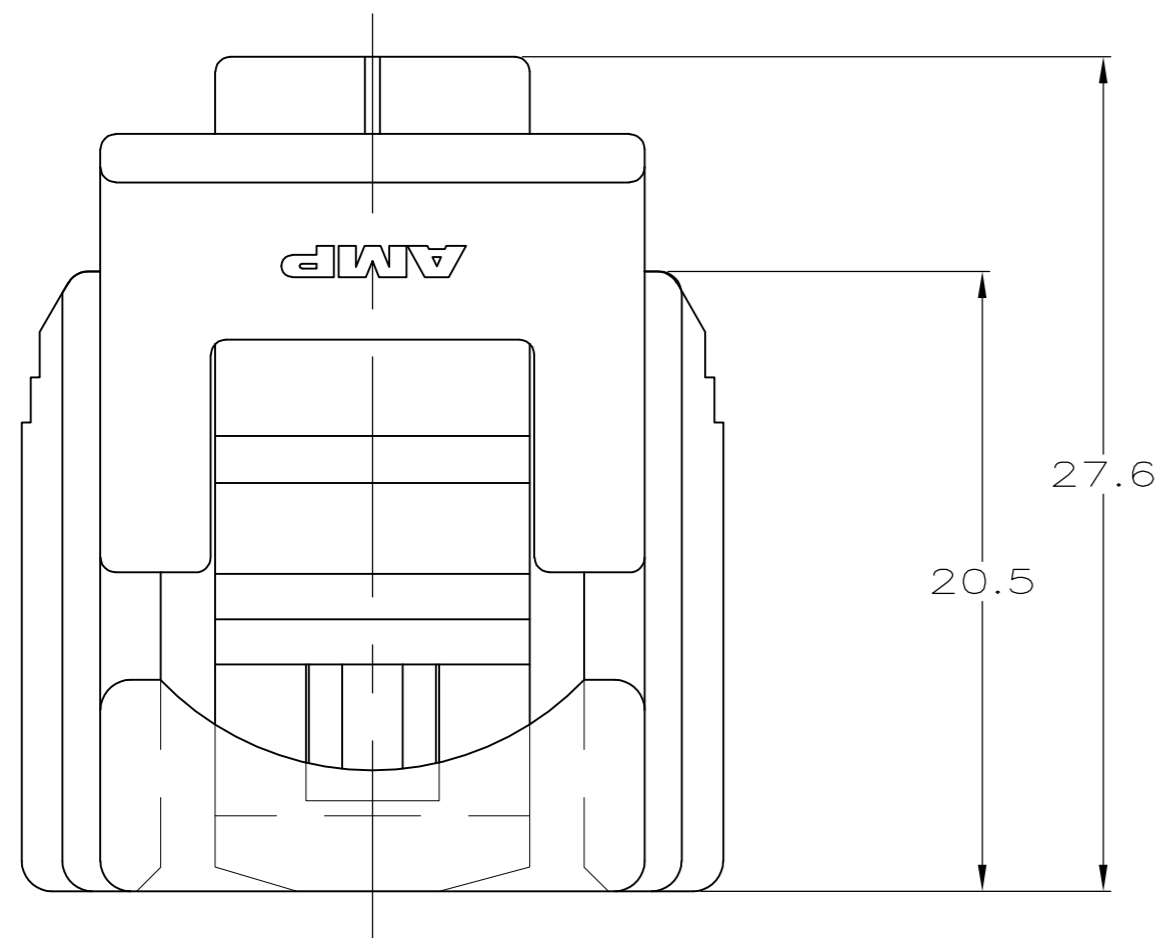


THIS DRAWING IS UNPUBLISHED. RELEASED FOR PUBLICATION
 © COPYRIGHT BY TYCO ELECTRONICS CORPORATION. ALL INTERNATIONAL RIGHTS RESERVED.

LOC	DIST	REVISIONS					
GE	16	P	LTR	DESCRIPTION	DATE	DWN	APVD
		F		REVISED PER ECO-09-008507	09APR2009	DD	MB



BLACK	184284-1
PLUG COLOR	PART NUMBER

THIS DRAWING IS A CONTROLLED DOCUMENT.		DWN KD LYLE 01/10/97	Tyco Electronics Corporation Harrisburg, PA 17105-3608	
DIMENSIONS: mm		CHK CT HYRB 02/18/97	NAME	
TOLERANCES UNLESS OTHERWISE SPECIFIED: 0 PLC ± - 1 PLC ± 0.3 2 PLC ± 0.15 3 PLC ± - 4 PLC ± - ANGLES ± - FINISH		APVD -	PRODUCT SPEC -	
MATERIAL		APPLICATION SPEC -	2 X 2 PLG ASY KEY B-C4 W/CPA	
		WEIGHT -	SIZE A2	RESTRICTED TO -
		CUSTOMER DRAWING	CAGE CODE 00779	DRAWING NO 184284
		SCALE 4:1	SHEET 1 of 1	REV F