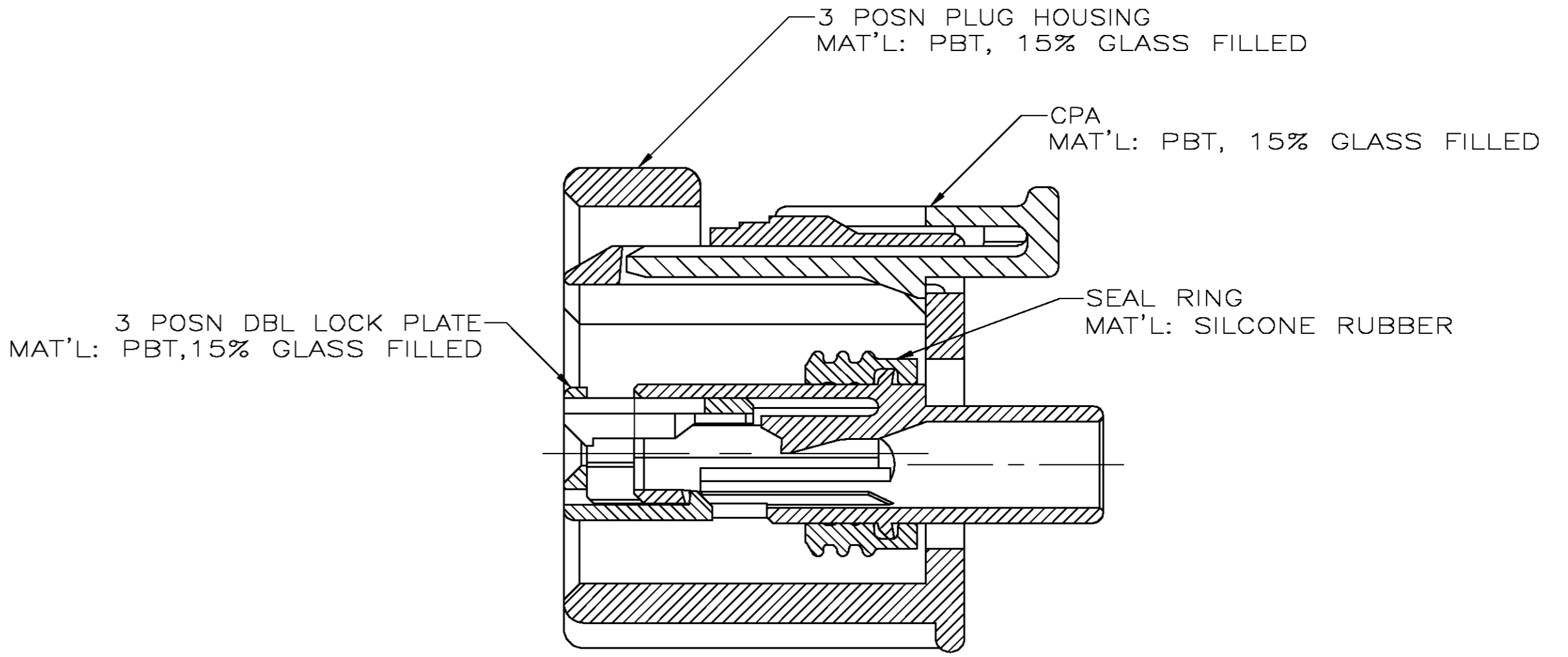
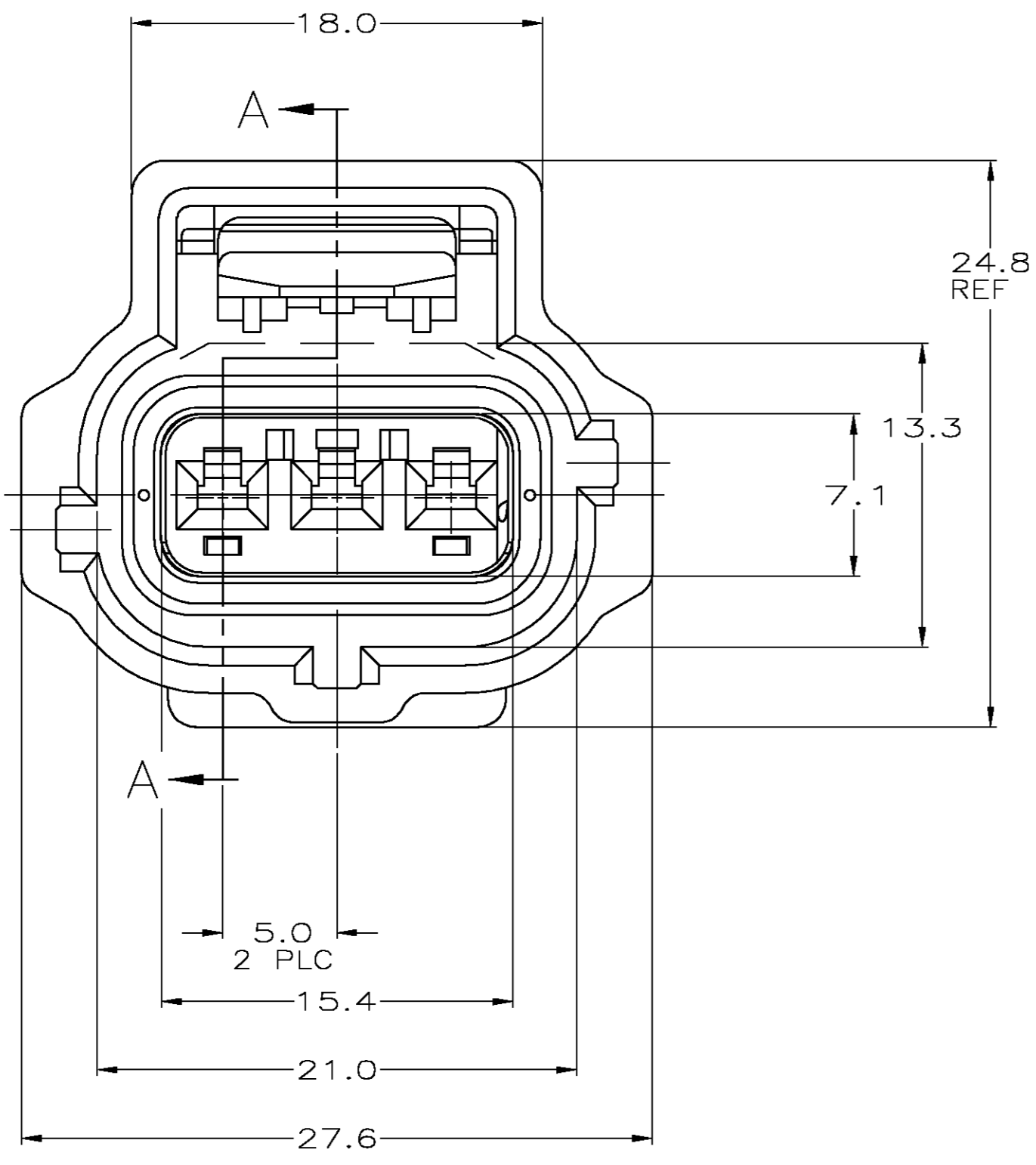
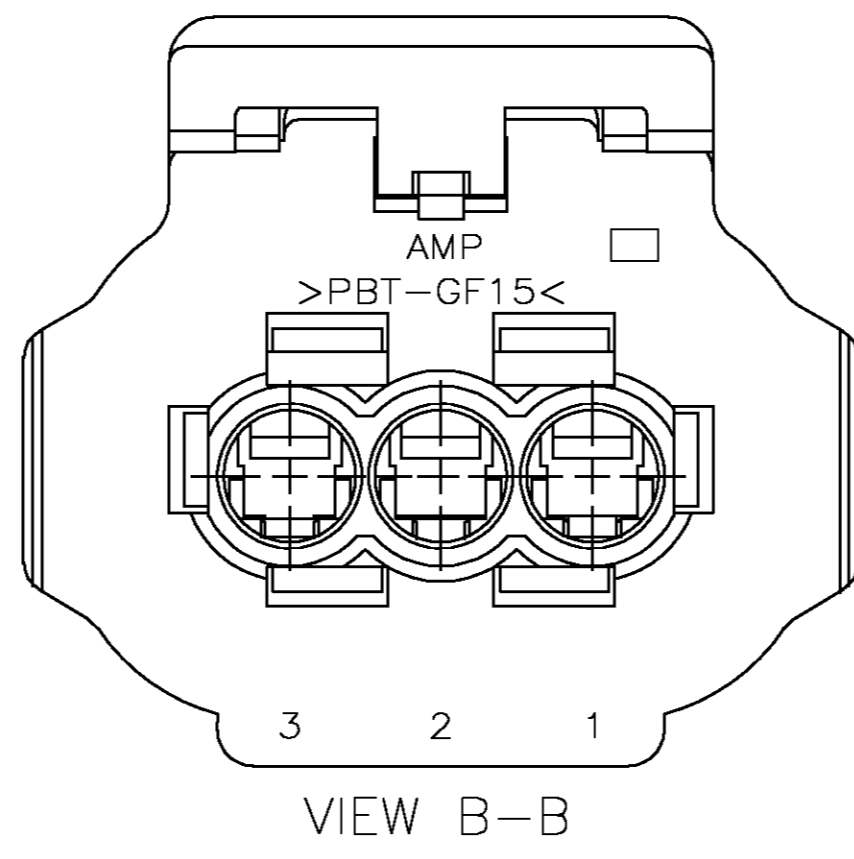
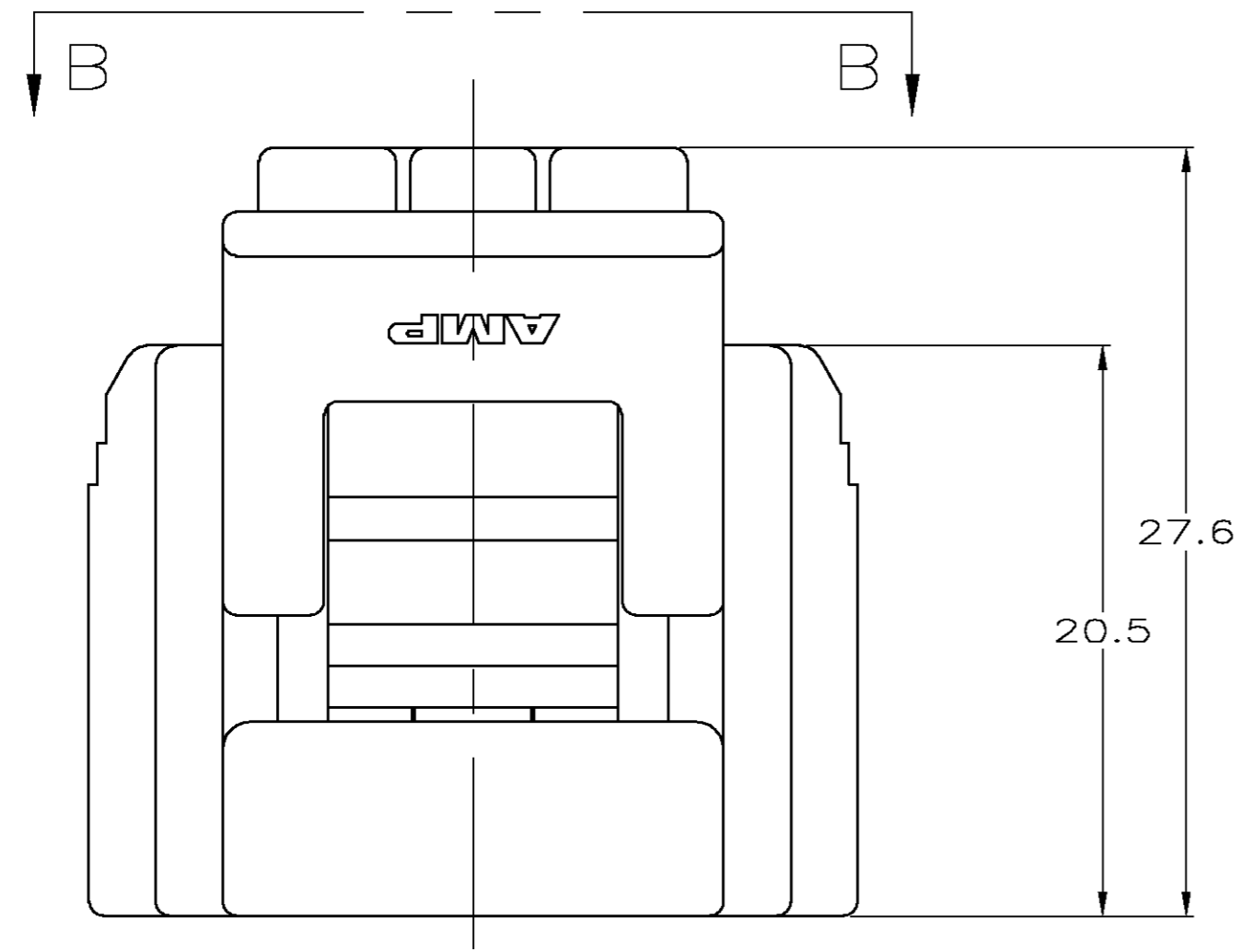


THIS DRAWING IS UNPUBLISHED. RELEASED FOR PUBLICATION
 © COPYRIGHT BY TYCO ELECTRONICS CORPORATION. ALL RIGHTS RESERVED.

LOC	DIST	REVISIONS			
P	LTR	DESCRIPTION	DATE	DWN	APVD
GE	16	C	REVISED PER EC 0K40-0387-04	19NOV2004	DLD KLK



184273-1
 PART NUMBER

THIS DRAWING IS A CONTROLLED DOCUMENT.		DWN K. WISE 05/24/96	Tyco Electronics Corporation Harrisburg, Pa 17105-3608
DIMENSIONS: mm		CHK C. HYRB 05/30/96	
TOLERANCES UNLESS OTHERWISE SPECIFIED:		APVD C. HYRB 05/30/96	NAME
0 PLC ± -		PRODUCT SPEC	1 X 3 PLUG ASSEMBLY KEY D-C3 WITH CPA
1 PLC ± -		APPLICATION SPEC	SIZE CAGE CODE DRAWING NO RESTRICTED TO
2 PLC ± 0.3		WEIGHT	A2 00779 C=184273
3 PLC ± -		CUSTOMER DRAWING	SCALE 4:1 SHEET 1 OF 1 REV C
4 PLC ± -			
ANGLES ± 1°			
FINISH			