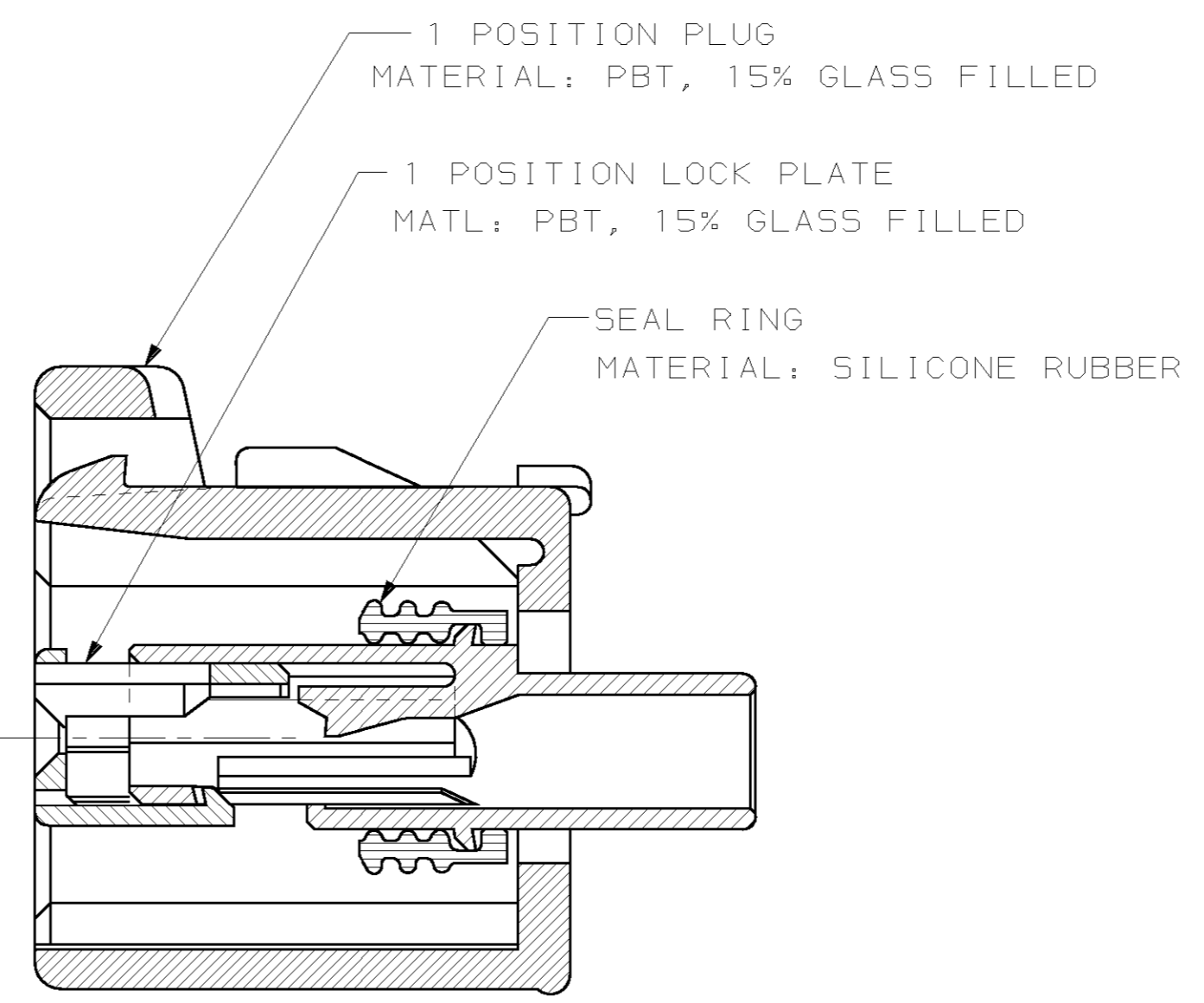
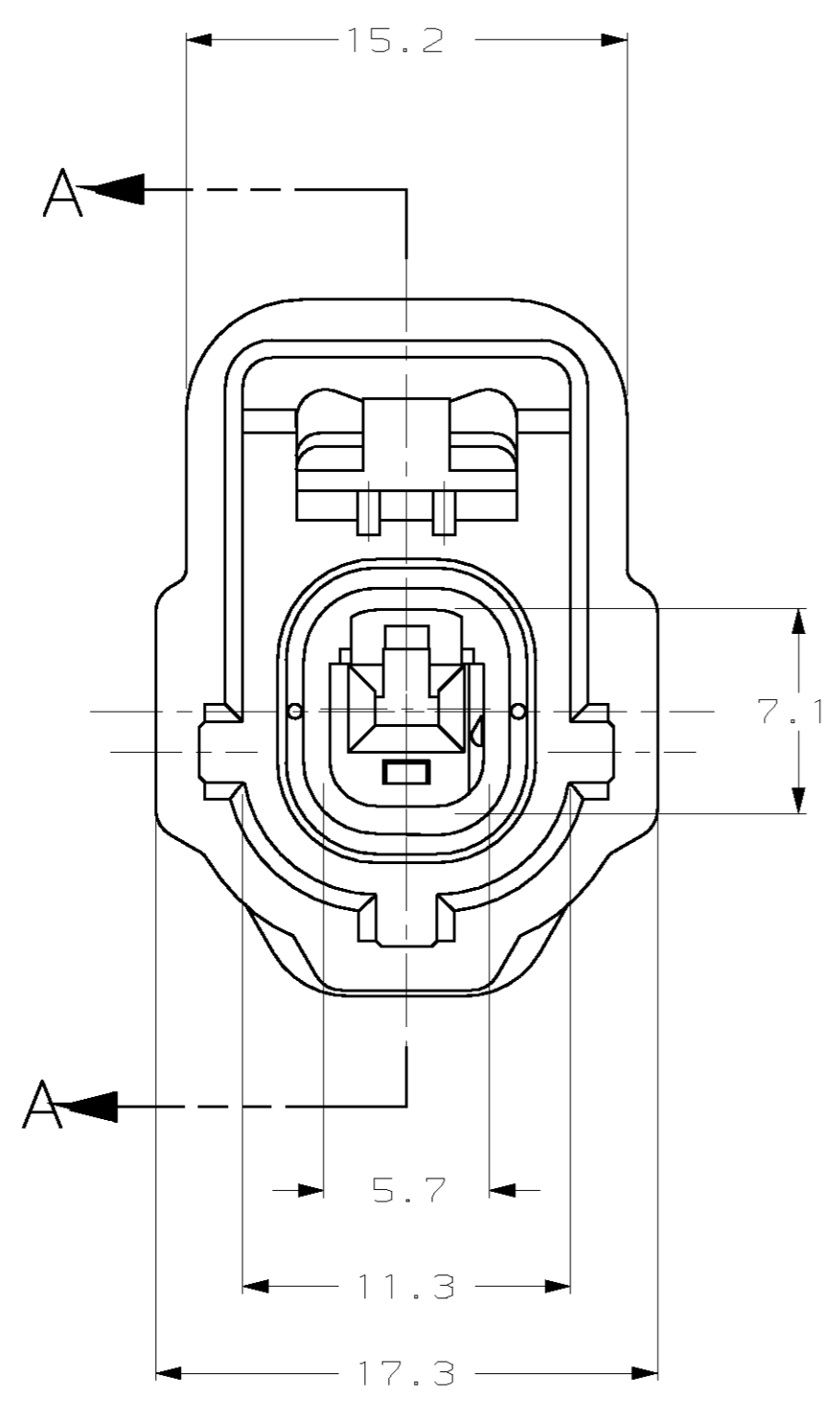
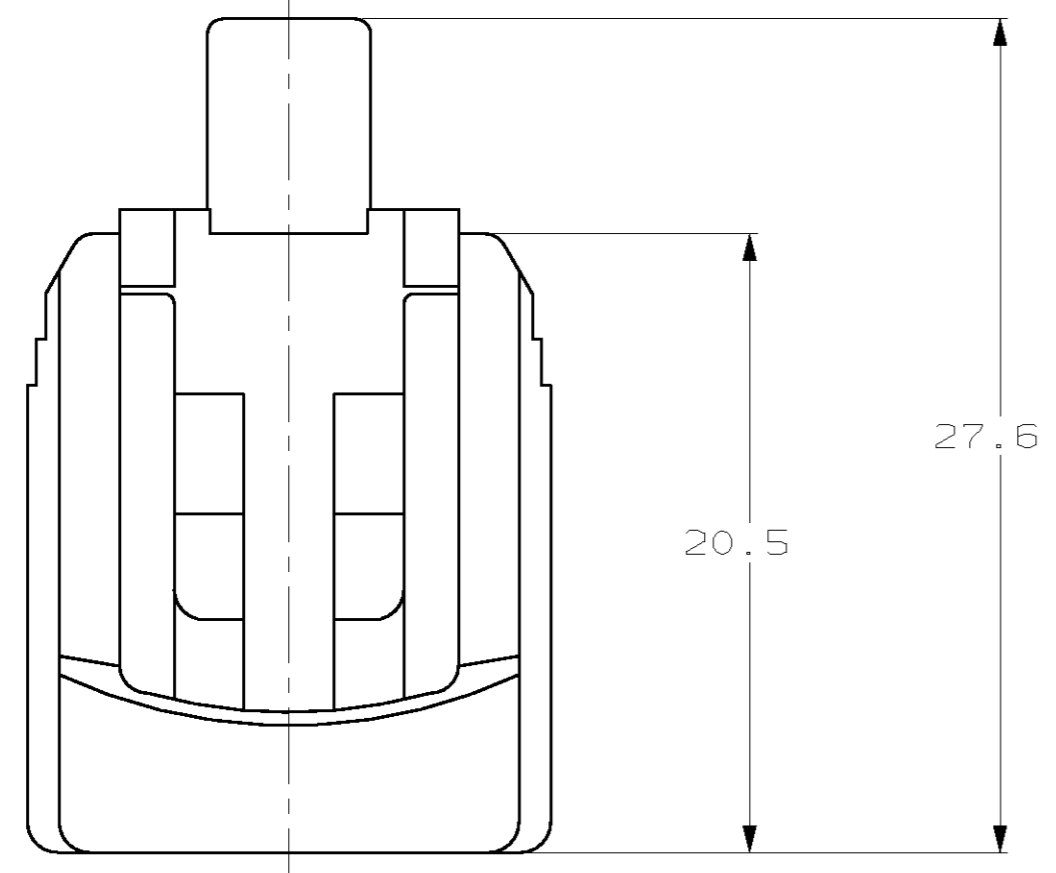


THIS DRAWING IS UNPUBLISHED. RELEASED FOR PUBLICATION .19
 © COPYRIGHT 19 BY AMP INCORPORATED. ALL RIGHTS RESERVED.

LOC		DIST		REVISIONS			
P	LTR	DESCRIPTION	DATE	DWN	APVD		
G	16	B	REV PER ECN 0K40-0218-99	09NOV99	KL	MH	



SECTION A-A

BLACK	184240-1
PLUG COLOR	PART NUMBER

<small>THIS DRAWING IS A CONTROLLED DOCUMENT FOR AMP INCORPORATED. IT IS SUBJECT TO CHANGE AND THE CONTROLLING ENGINEERING ORGANIZATION SHOULD BE CONTACTED FOR THE LATEST REVISION.</small>		DWN	KD LYTLE	04/18/96	AMP Incorporated Harrisburg, PA 17105-3608
DIMENSIONS: mm		CHK	JP KUNKLE	05/02/96	
		APVD	JP KUNKLE	05/02/96	
TOLERANCES UNLESS OTHERWISE SPECIFIED: 0 PLC ±- 1 PLC ±0.3 2 PLC ±- 3 PLC ±- 4 PLC ±- ANGLES ±1° FINISH -		PRODUCT SPEC	-	NAME	
MATERIAL -		APPLICATION SPEC	-	SIZE	A2
		WEIGHT	-	CAGE CODE	00779
		CUSTOMER DRAWING	-	DRAWING NO	C-184240
		SCALE	4:1	SHEET	1 OF 1
		REV	B		

184240