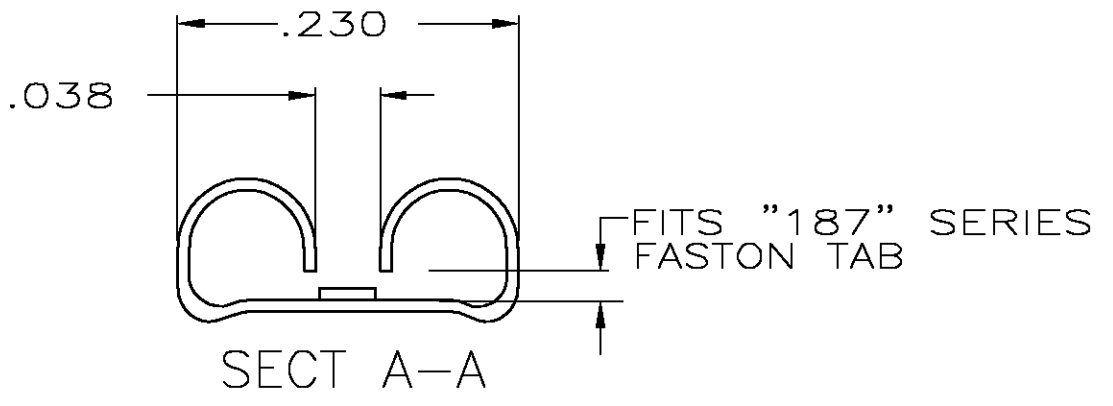
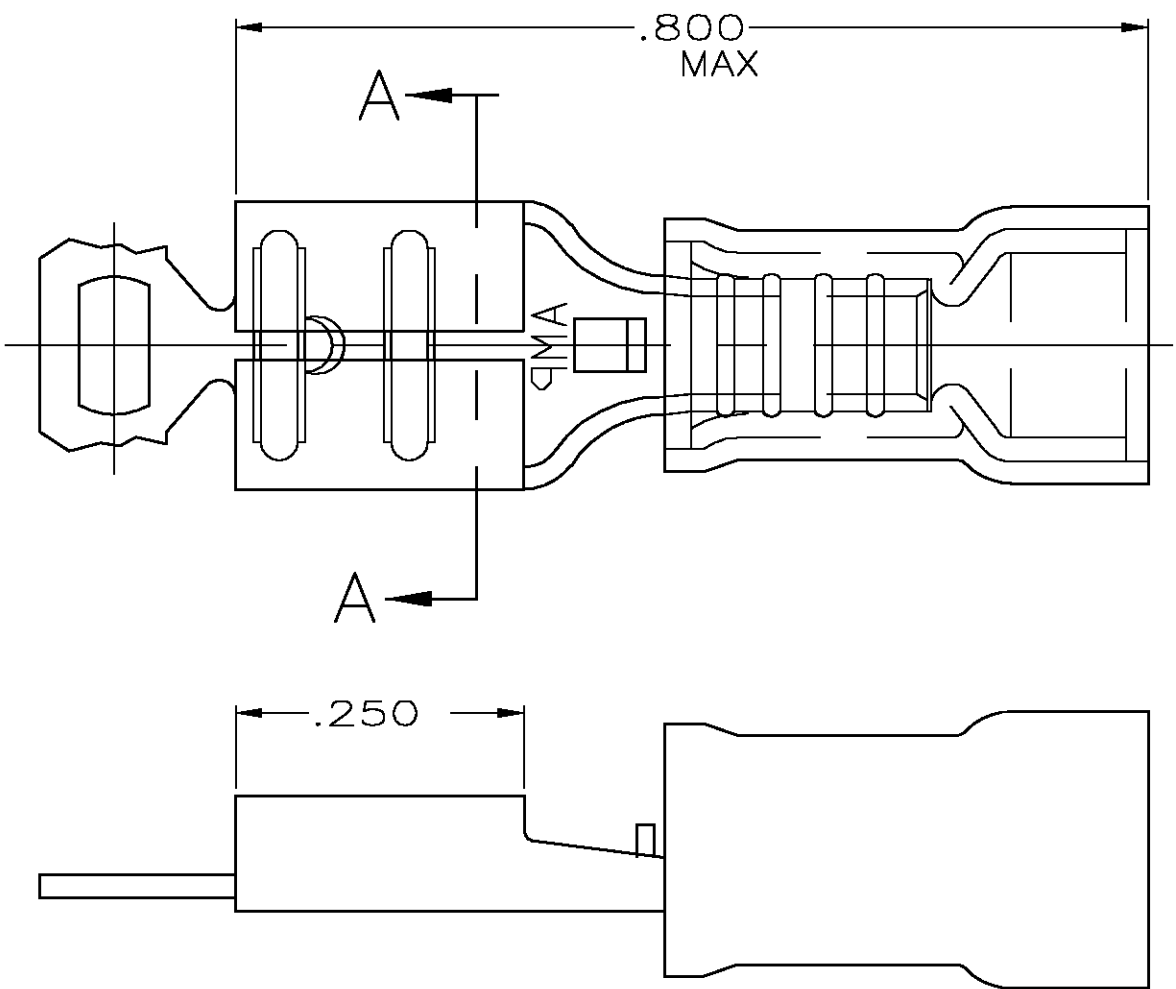


THIS DRAWING IS UNPUBLISHED. RELEASED FOR PUBLICATION
 © COPYRIGHT BY TYCO ELECTRONICS CORPORATION. ALL RIGHTS RESERVED.

LOC	DIST	REVISIONS					
		P	LTR	DESCRIPTION	DATE	DWN	APVD
G	14		C	REV PER 0G3A-0112-05	16FEB05	JR	TM



- 1 INSULATION DIA .170 MAX
- 2 FITS TAB .032 THK
- 3 MATERIAL: TERMINAL - .016 THK BRASS
SLEEVE - NYLON
- 4 FINISH: TERMINAL - TIN PLATED
SLEEVE - COLOR BLUE

3500	ON STRIP	184234-1
QTY	PACKAGE TYPE	PART NO

AMP INCORPORATED CUSTOMER SERVICE SYSTEMS		MAX RECOMMENDED OPERATING TEMPERATURE: [105°C] 221° F	THIS DRAWING IS A CONTROLLED DOCUMENT.		DWN L OLMEDA 16JAN96 CHK M ELLIS 16JAN96 APVD B BARE 16JAN96	tyco Electronics Tyco Electronics Corporation Harrisburg, Pa 17105-3608					
FOR ADDITIONAL PRODUCT INFORMATION OR COPIES OF DRAWINGS AND TECHNICAL DOCUMENTS PRODUCT INFORMATION CENTER 1-800-522-6752	FOR APPLICATION TOOLING ASSISTANCE CENTER TOOLING INFORMATION 1-800-722-1111	VOLTAGE RATING: 300V MAX	DIMENSIONS: INCHES	TOLERANCES UNLESS OTHERWISE SPECIFIED: 0 PLC ± - 1 PLC ± - 2 PLC ± .015 3 PLC ± - 4 PLC ± - ANGLES ± -	NAME RECEPTACLE, 187 SERIES, FASTON, PIDG, WIRE SIZE: 16-14		SIZE A3	CAGE CODE 00779	DRAWING NO C-184234	RESTRICTED TO -	
FOR ORDER ENTRY 1-800-526-5142	THIS DRAWING IS A CONTROLLED DOCUMENT FOR AMP INCORPORATED. IT IS SUBJECT TO CHANGE AND THE CONTROLLING ENGINEERING ORGANIZATION SHOULD BE CONTACTED FOR THE LATEST REVISION.		MATERIAL - 3	FINISH - 4	WEIGHT -		CUSTOMER DRAWING		SCALE 1:1	SHEET 1 OF 1	REV C