

4

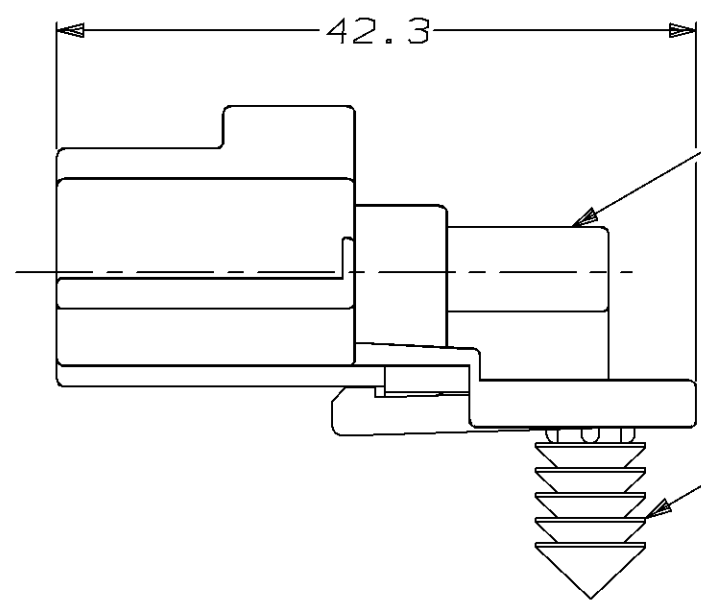
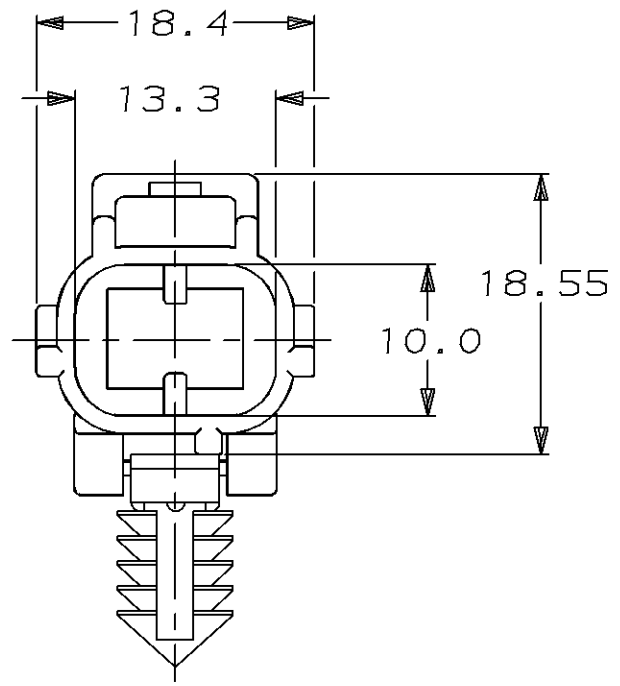
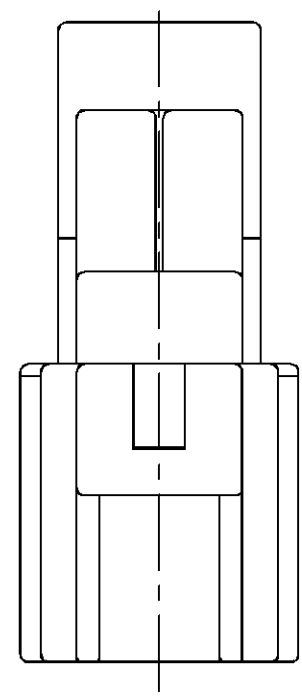
3

2

1

THIS DRAWING IS UNPUBLISHED. RELEASED FOR PUBLICATION ,19 .
 © COPYRIGHT 19 BY AMP INCORPORATED. ALL RIGHTS RESERVED.

LOC	DIST	REVISIONS					
		P	LTR	DESCRIPTION	DATE	DWN	APVD
G	16		0	INITIAL RELEASE	02/14/96	KW	JK
			A	REV PER ECN #OKSO-0014-96	09/23/96	KW	JK



△ 1 RETAINER CLIP TO SNAP INTO A 6.50 DIA HOLE IN MATERIAL WITH A THICKNESS OF 0.56-5.10.

2 POSN END CAP
 MATL: PBT, 15% GLASS FILLED
 FINISH: BLACK

RETAINER CLIP △ 1
 MATL: NYLON
 FINISH: NATURAL

184187-1
 PART NUMBER

<small>THIS DRAWING IS A CONTROLLED DOCUMENT FOR AMP INCORPORATED. IT IS SUBJECT TO CHANGE AND THE CONTROLLING ENGINEERING ORGANIZATION SHOULD BE CONTACTED FOR THE LATEST REVISION.</small>		DWN	K. WISE	02/14/96	AMP Incorporated Harrisburg, PA 17105-3608
DIMENSIONS: mm		CHK	J. KUNKLE	03/08/96	
		APVD	J. KUNKLE	03/08/96	
TOLERANCES UNLESS OTHERWISE SPECIFIED: 0 PLC ±- 1 PLC ±0.3 2 PLC ±- 3 PLC ±- 4 PLC ±- ANGLES ±- FINISH -		PRODUCT SPEC	NAME END CAP HSG ASSY, SSC, 2 POSN M KEY		
MATERIAL -		APPLICATION SPEC	SIZE A3		
		WEIGHT -	CAGE CODE 00779		DRAWING NO C-184187
		CUSTOMER DRAWING	SCALE 2:1		SHEET 1 OF 1
			REV A		