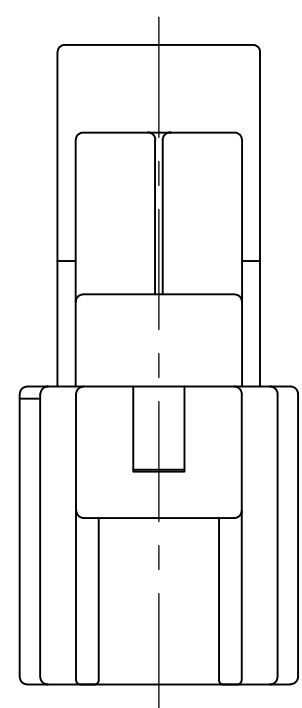
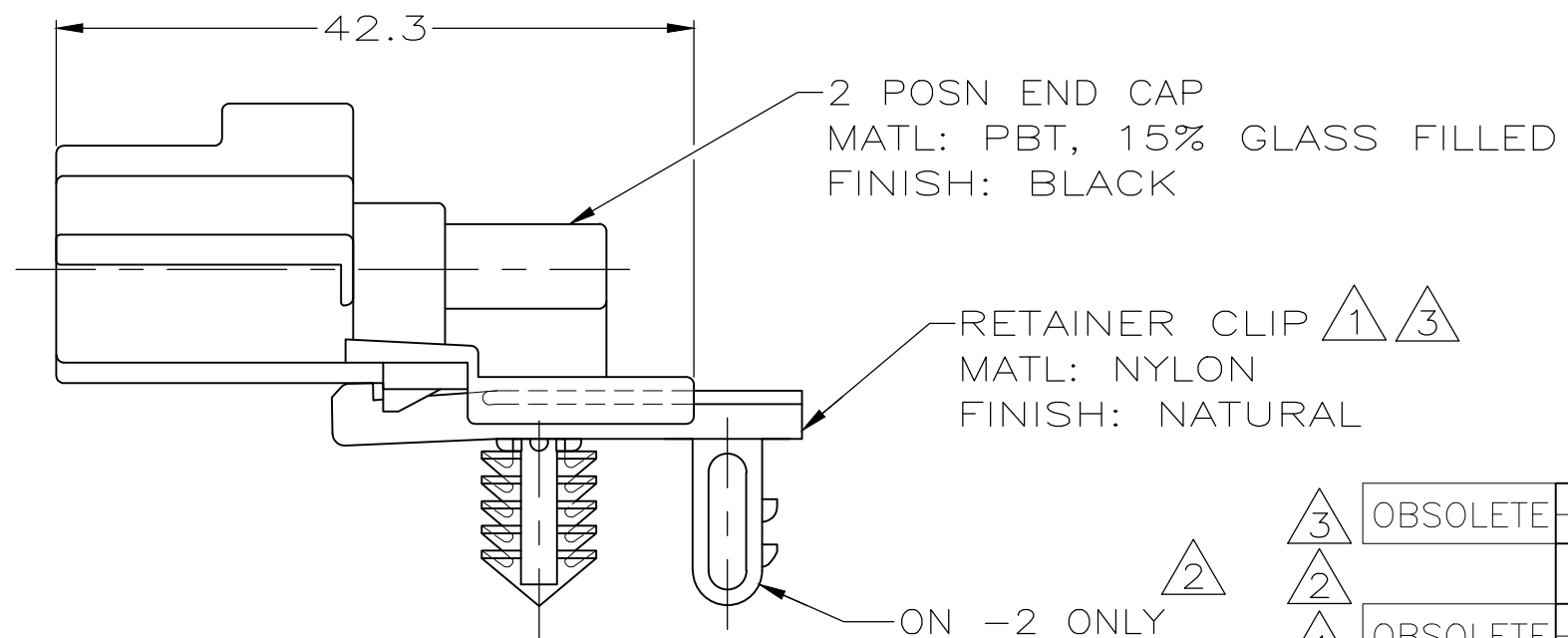
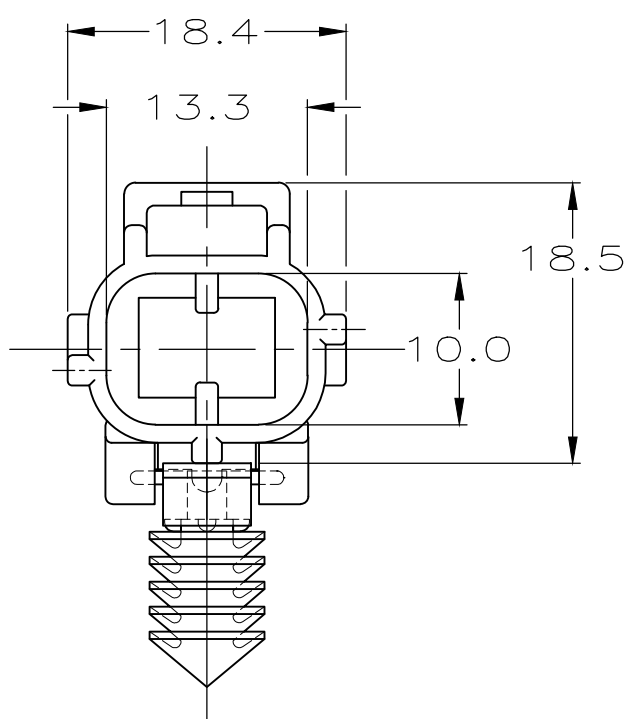


REVISIONS					
P	LTR	DESCRIPTION	DATE	DWN	APVD
	E	RELEASED -3 PER 0K40-1031-02	22OCT2002	AH	KC
	E1	REVISED PER ECO-20-012739	30SEP2020	AP	HDC



- ① RETAINER CLIP TO SNAP INTO A 7.95 DIA HOLE IN MATERIAL WITH A THICKNESS OF 0.56-5.10.
- ② ANTI-ROTATIONAL RETAINER CLIP TO SNAP INTO A 6.50 DIA HOLE IN MATERIAL WITH A THICKNESS OF 0.56-5.10.
- ③ RETAINER CLIP TO SNAP INTO A 6.50 DIA HOLE IN MATERIAL WITH WITH A THICKNESS OF 0.56-5.10.



③	OBSOLETE	184178-3
②		184178-2
①	OBSOLETE	184178-1
		PART NUMBER

THIS DRAWING IS A CONTROLLED DOCUMENT.		DWN K.WISE 02/14/96	TE Connectivity				
DIMENSIONS: mm		CHK J.KUNKLE 03/07/96					
TOLERANCES UNLESS OTHERWISE SPECIFIED:		APVD J.KUNKLE 03/07/96	NAME END CAP HOUSING ASSEMBLY, SSC, 2 POSITION, C KEY				
0 PLC ± - 1 PLC ± 0.3 2 PLC ± - 3 PLC ± - 4 PLC ± - ANGLES ± -		PRODUCT SPEC -	APPLICATION SPEC -				
MATERIAL -		FINISH -	WEIGHT -	SIZE A3	CAGE CODE 00779	DRAWING NO C-184178	RESTRICTED TO -
CUSTOMER DRAWING			SCALE 2:1	SHEET 1 OF 1	REV E1		