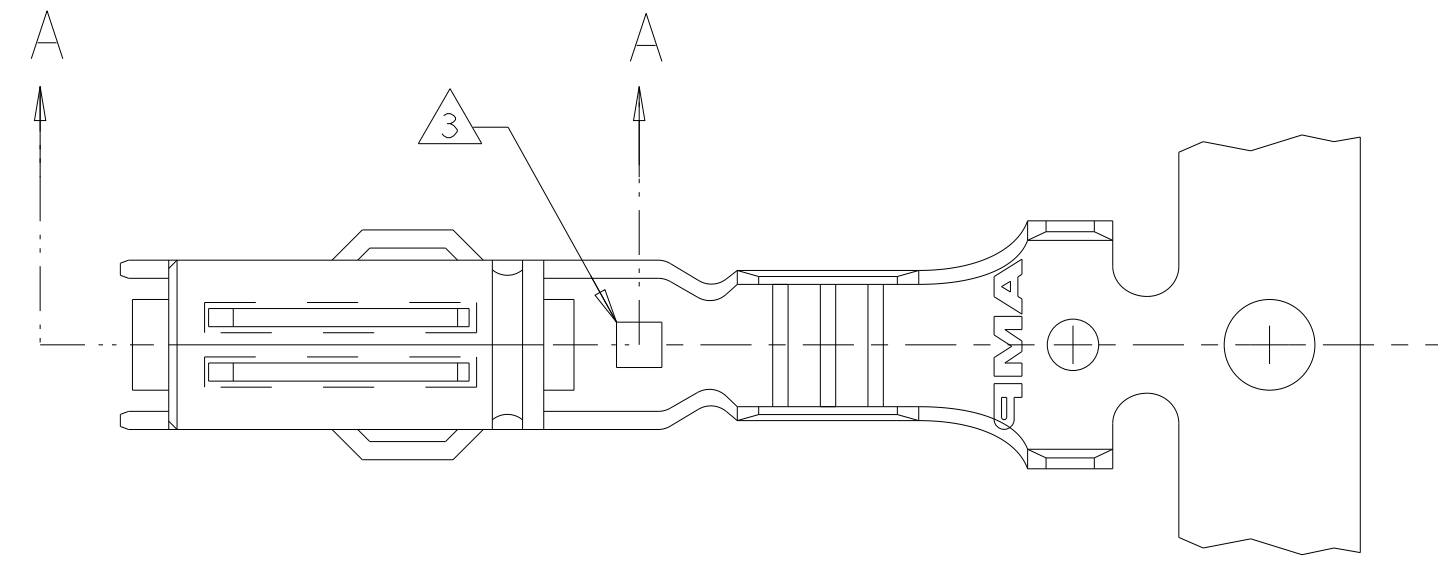
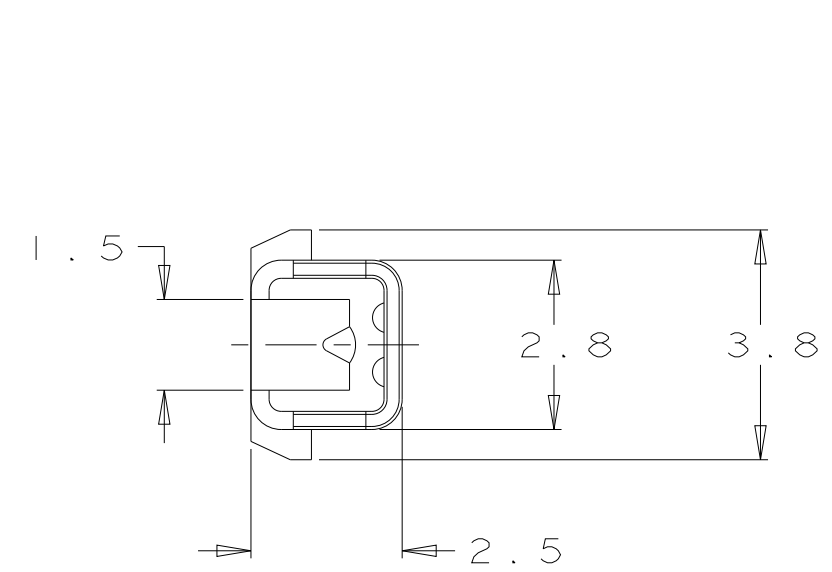


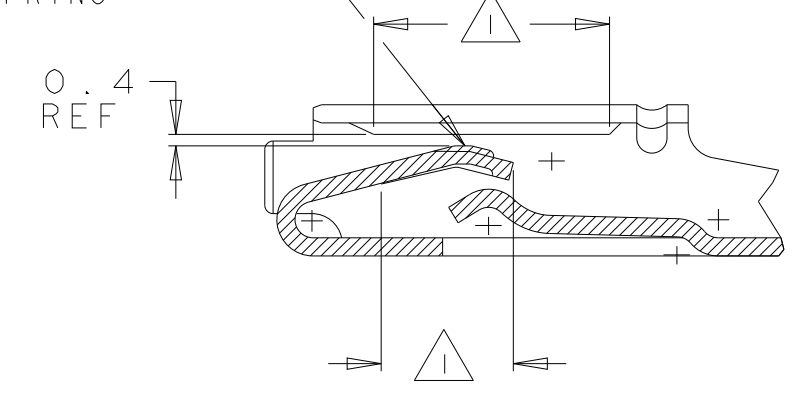
THIS DRAWING IS UNPUBLISHED. RELEASED FOR PUBLICATION  
 © COPYRIGHT - BY - ALL RIGHTS RESERVED.

REVISIONS				
P	LTR	DESCRIPTION	DATE	APVD
H5		REVISED PER ECO-16-011163	08SEP2016	DD AH
H6		REVISED PER ECO-17-014752	10OCT2017	JMS AH
U		REVISED PER ECO-21-002133	15APR2021	SM AH

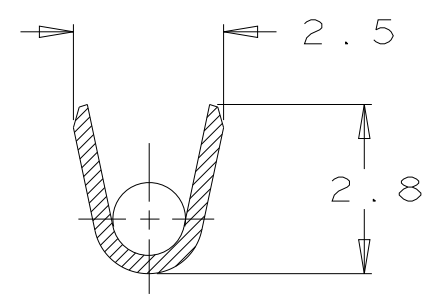
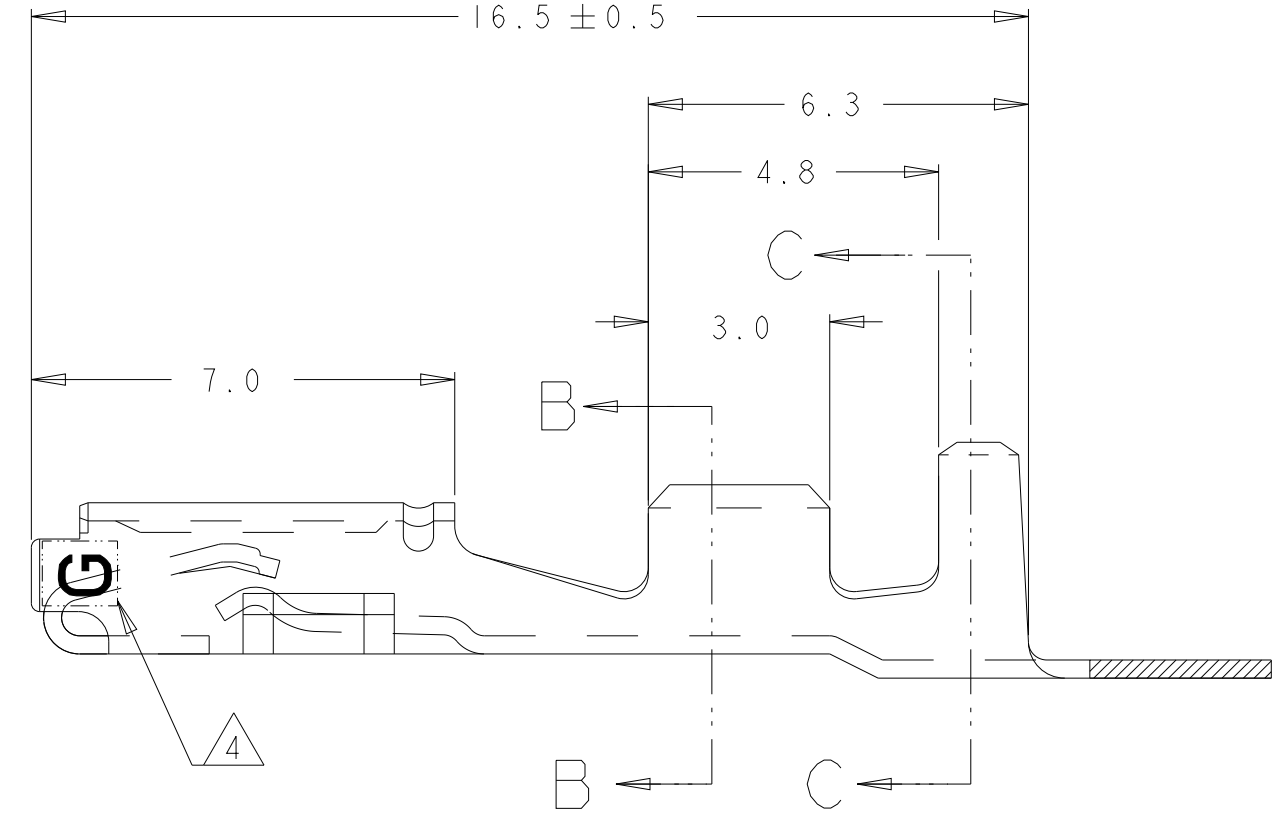


- ① 0.00076 MINIMUM THICK GOLD PLATE OVER 0.0013 MINIMUM NICKEL PLATE.
- ② 0.0008 MINIMUM THICK PRE-TIN.
- ③ 0.75 x 0.75 DIE IDENTIFICATION MARK.
- ④ FOR GOLD PLATED PART ONLY - AT LEAST ONE "G" INDICATOR MUST BE VISIBLE IN THIS LOCATION ON EITHER SIDE INDICATING GOLD PLATED CONTACT

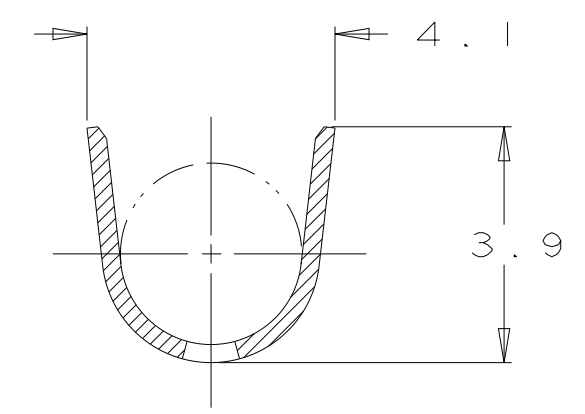
GOLD PLATING IDENTIFIED IS ON TOP SPRING



SECTION A-A



SECTION B-B



SECTION C-C

②	1.2-2.1 (SINGLE WIRE SEALING)	AVS 0.3 - 1.00mm <sup>2</sup>	184095-2
①	1.2-2.1 (SINGLE WIRE SEALING)	AVS 0.3 - 1.00mm <sup>2</sup>	184095-1
FINISH	INSULATION DIA	WIRE RANGE	PART NUMBER

THIS DRAWING IS A CONTROLLED DOCUMENT.

DIMENSIONS: mm	TOLERANCES UNLESS OTHERWISE SPECIFIED:	DWN: KD LYLE 9/20/94	TE Connectivity CONTACT, RECEPTACLE, .070 TYPE (SCAT VERSION)
	0 PLC ±	CHK: JP KUNKLE 9/23/94	
	1 PLC ±0.3	APVD: JP KUNKLE 10/21/94	
	2 PLC ±0.3	PRODUCT SPEC	
MATERIAL: PHOS BRZ (0.3 THK)	3 PLC ±	APPLICATION SPEC	SIZE: A2
	4 PLC ±	WEIGHT	CAGE CODE: 00779
	ANGLES ±	CUSTOMER DRAWING	DRAWING NO: C-184095
	FINISH -	SCALE: 10:1	SHEET: 1 OF 1
			REV: U