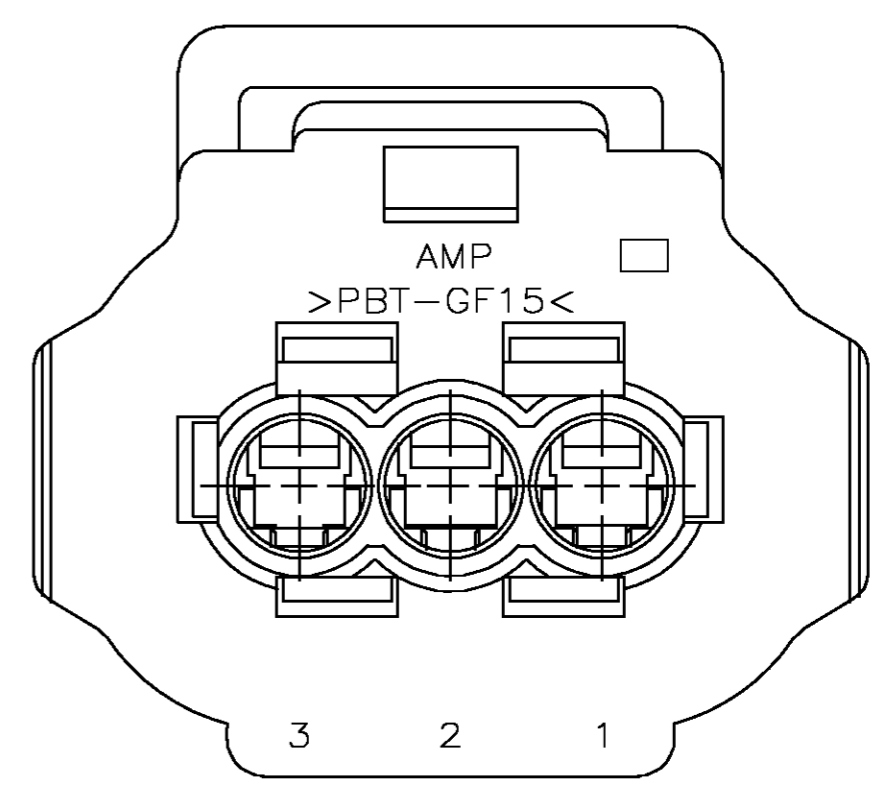
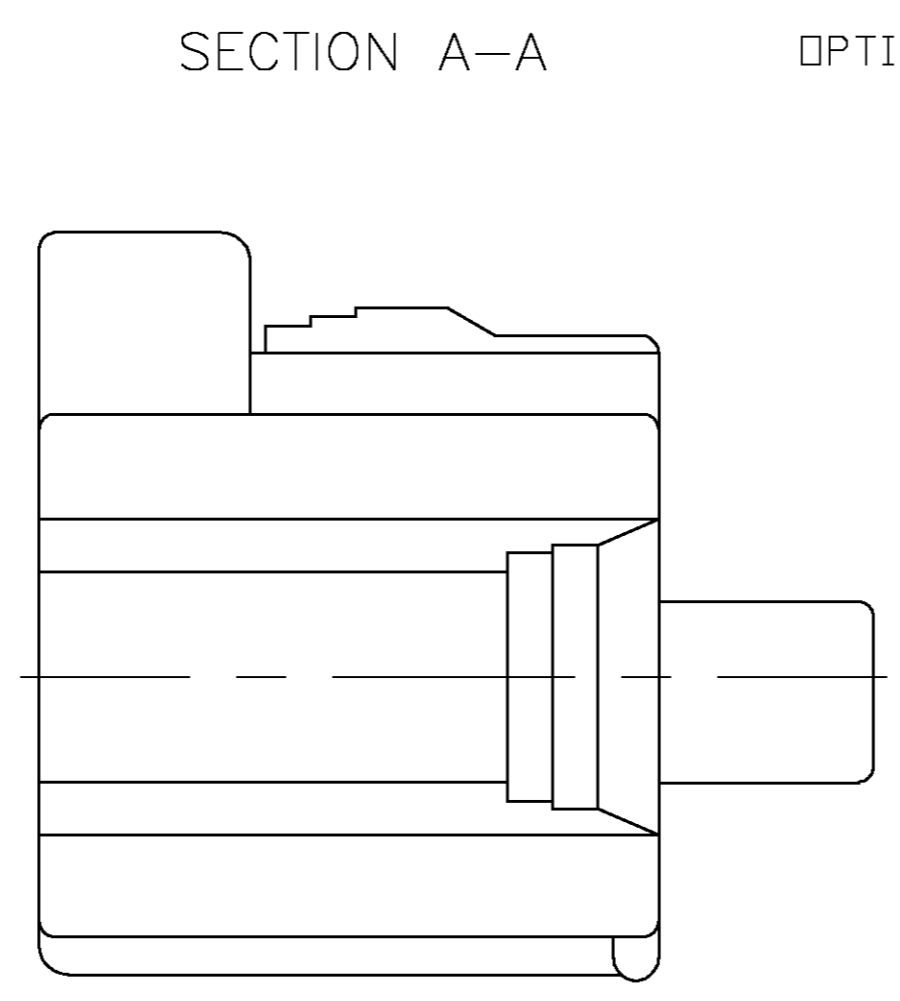
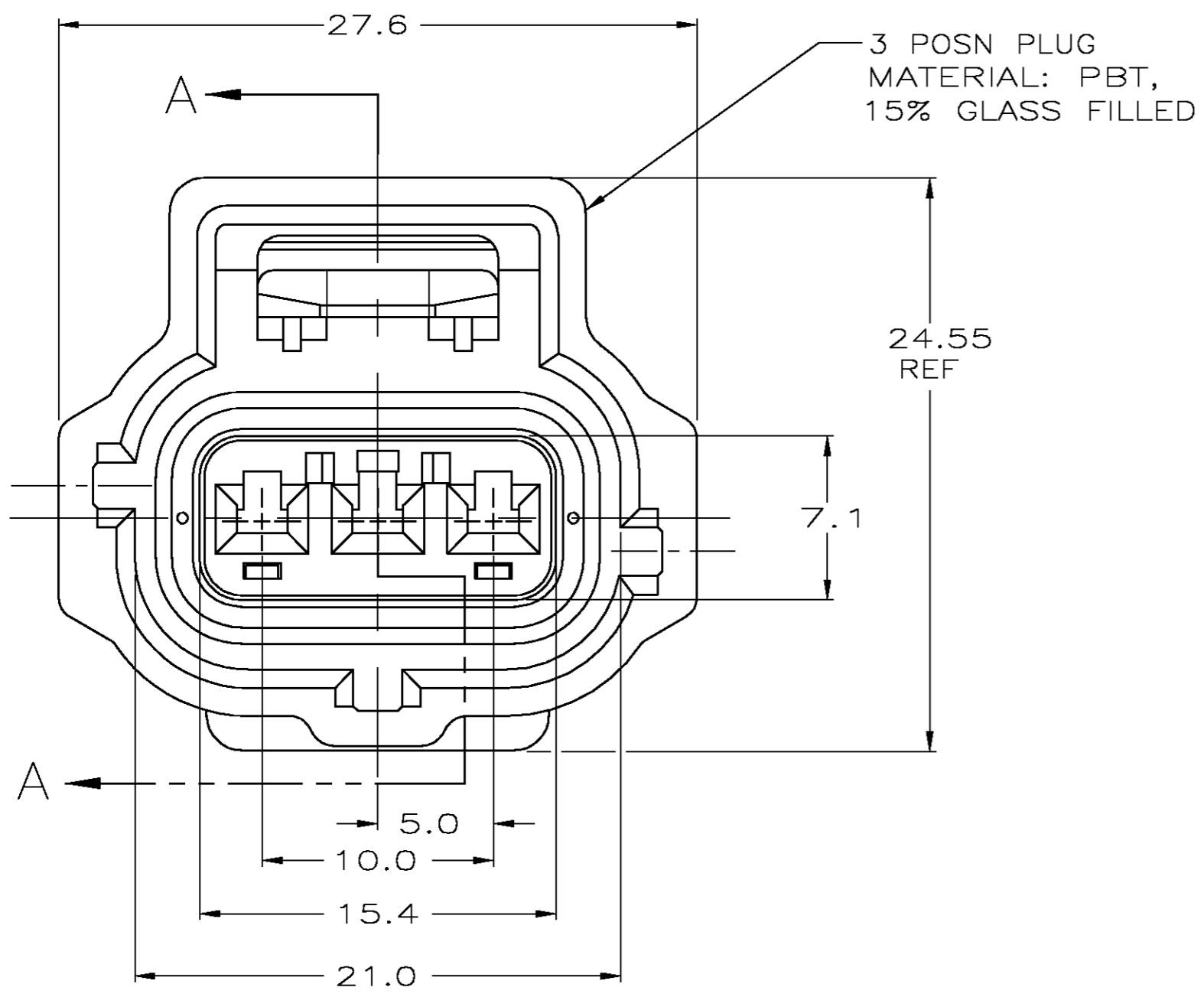
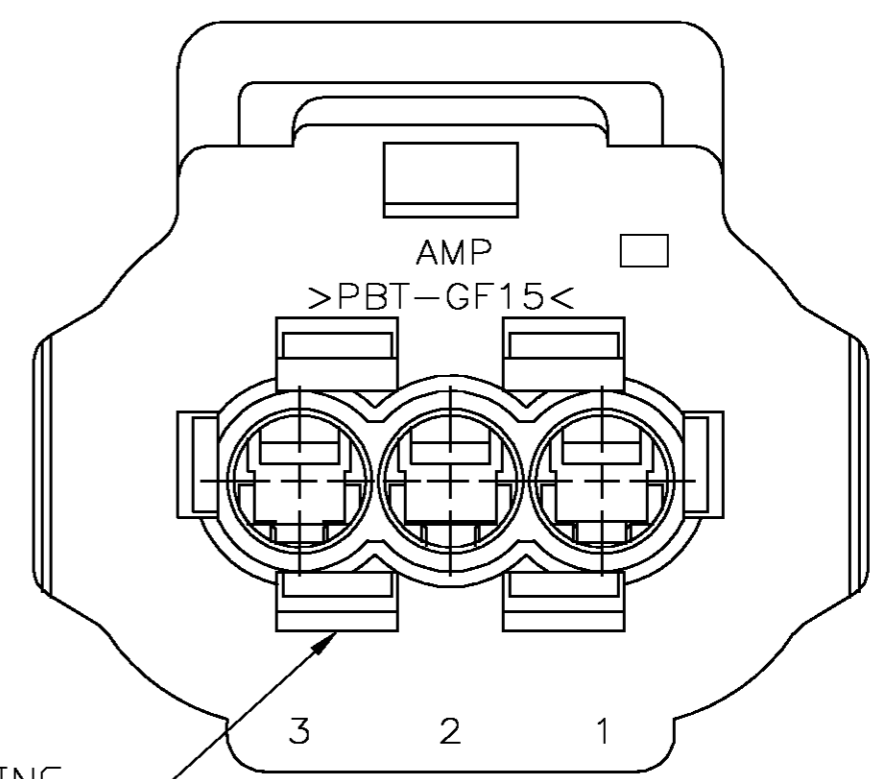
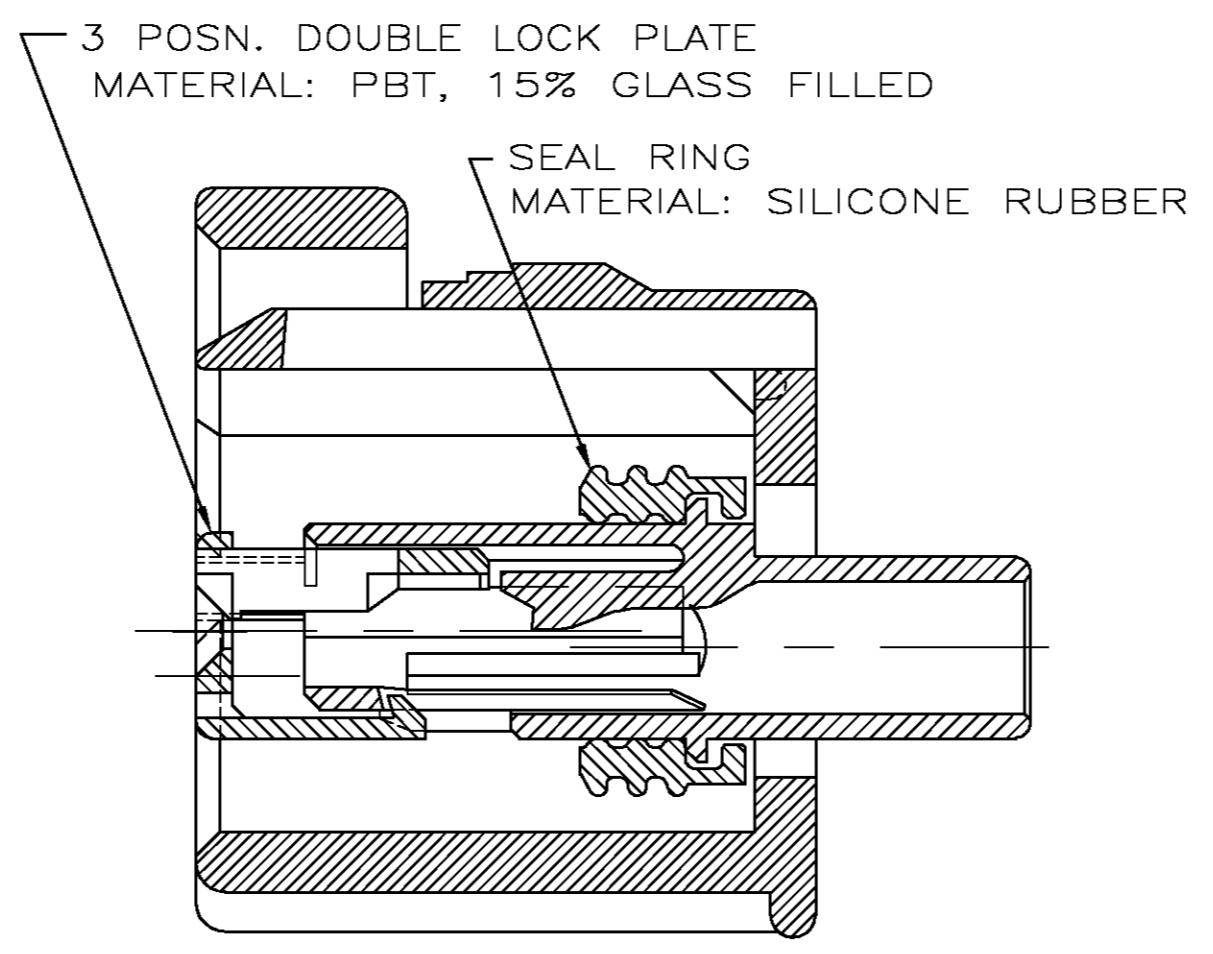
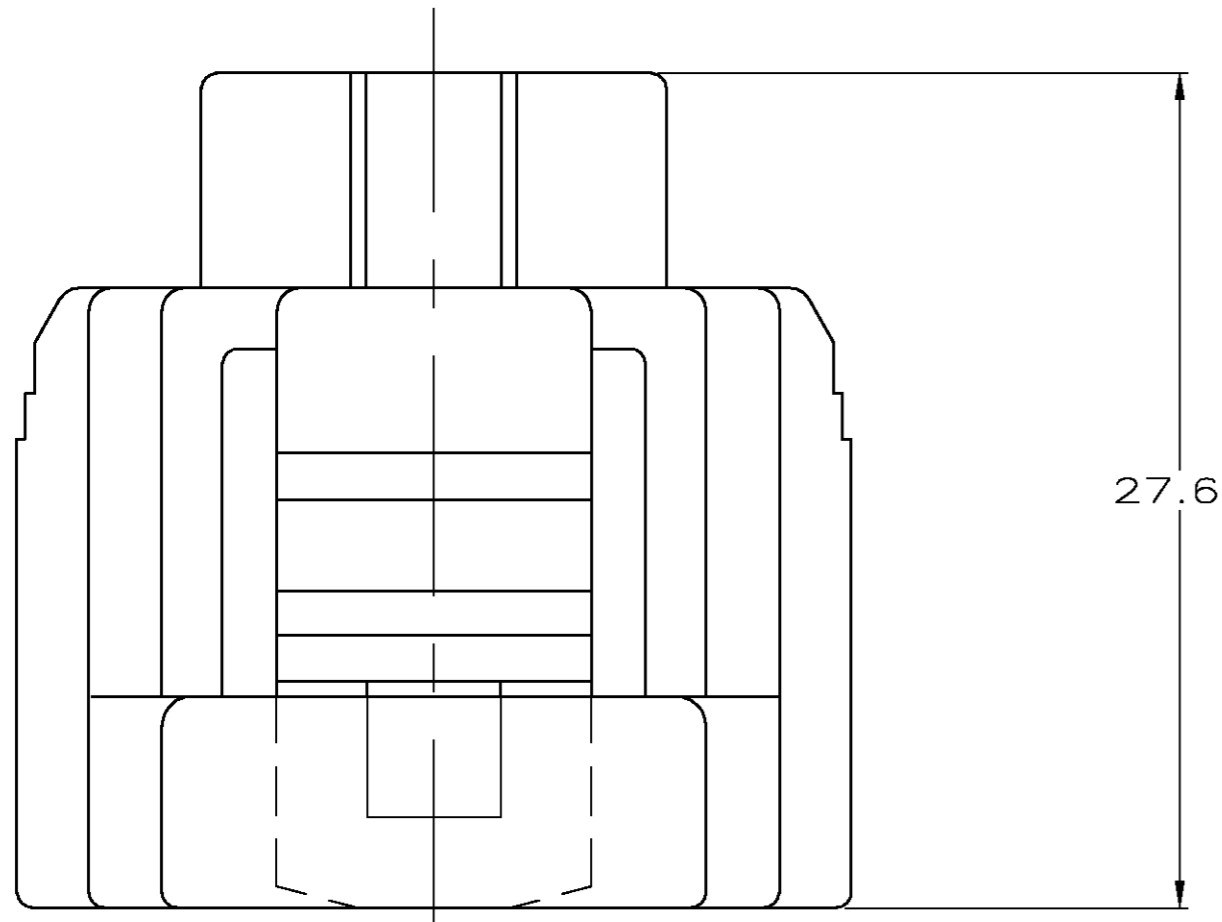


THIS DRAWING IS UNPUBLISHED. RELEASED FOR PUBLICATION  
 © COPYRIGHT BY TYCO ELECTRONICS CORPORATION. ALL RIGHTS RESERVED.

LOC	DIST	REVISIONS			
P	LTR	DESCRIPTION	DATE	DWN	APVD
GE	00	E	REVISED PER EC 0K40-0387-04	19NOV2004	DLD KLK



184036-1  
PART NO

THIS DRAWING IS A CONTROLLED DOCUMENT.		DWN KD LYTLE 12/8/94	Tyco Electronics Corporation Harrisburg, PA 17105-3608	
DIMENSIONS: MM		CHK JP KUNKLE 12/9/99		
TOLERANCES UNLESS OTHERWISE SPECIFIED:		APVD JP KUNKLE 12/9/99	NAME	
0 PLC ± - 1 PLC ± 0.3 2 PLC ± 0.3 3 PLC ± - 4 PLC ± - ANGLES ±1' -		PRODUCT SPEC	1 X 3 PLUG ASSEMBLY KEY C-C3	
MATERIAL AS NOTED		FINISH -	WEIGHT -	RESTRICTED TO -
		CUSTOMER DRAWING	SIZE A2	CAGE CODE 00779
			DRAWING NO C=184036	
			SCALE 4:1	SHEET 1 OF 1
			REV E	