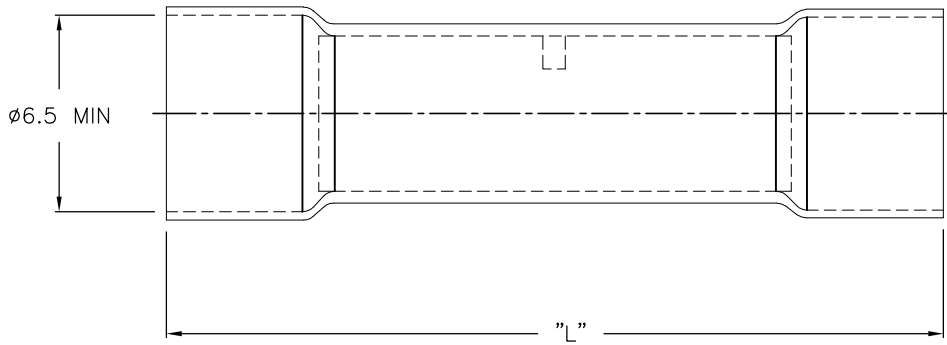


LOC	DIST	REVISIONS			
P	LTR	DESCRIPTION	DATE	DWN	APVD
	A2	P/N ACTIVATED; VENDOR CHANGE	03JUL2012	SP	RP



'L' = 37.5 (NOMINAL)  
43.0 MAX

NOTES:

1. MATERIAL: INSULATING TUBE – CROSS LINKED POLYAMIDE  
CRIMP SPLICE – COPPER ALLOY ELECTRO TINNED
2. WIRE RANGE: 3.0 – 6.0 mm<sup>2</sup> [AWG 12– 10]  
WIRE INSULATION DIAMETER RANGE : 3.0 – 6.5 mm
3. TEMPERATURE RATING: –55°C TO +125°C
4. PACKAGING:  
CARTON BOX CONTAINS 5 BAGS OF 1000 PCS EACH.


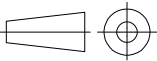
RELEASED FOR PUBLICATION

ALL RIGHTS RESERVED.

THIS DRAWING IS UNPUBLISHED.

© COPYRIGHT – By –

183598-1
PART NUMBER

DIMENSIONS: mm	DWN R.Dopotrlo 28-06-95	MATERIAL SEE NOTE 1	FINISH COLOR – YELLOW
	CHK A.Bruni 28-06-95	 TE Connectivity	
TOLERANCES UNLESS OTHERWISE SPECIFIED:	APVD -		
0 PLC ± -	APPLICATION SPEC -	SIZE A4	CAGE CODE 00779
1 PLC ± 0.3	WEIGHT -	DRAWING NO C-183598	RESTRICTED TO -
2 PLC ± -		CUSTOMER DRAWING	
3 PLC ± -		SCALE 4:1	SHEET 1 OF 1
4 PLC ± -			
ANGLES ± 2'			