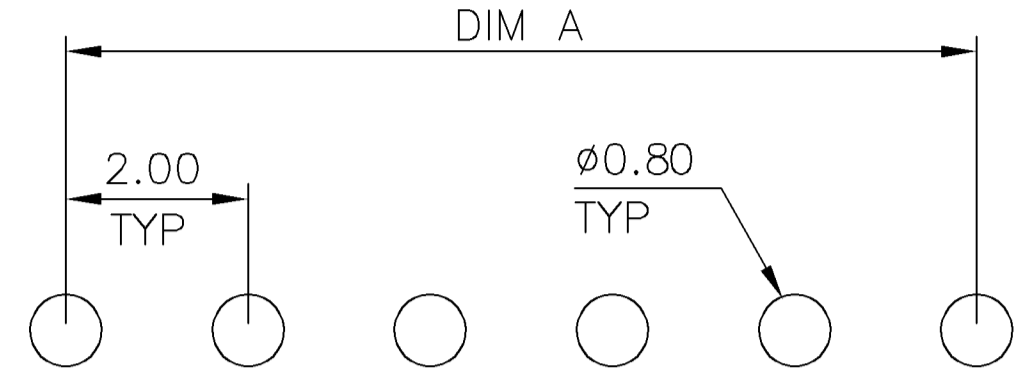
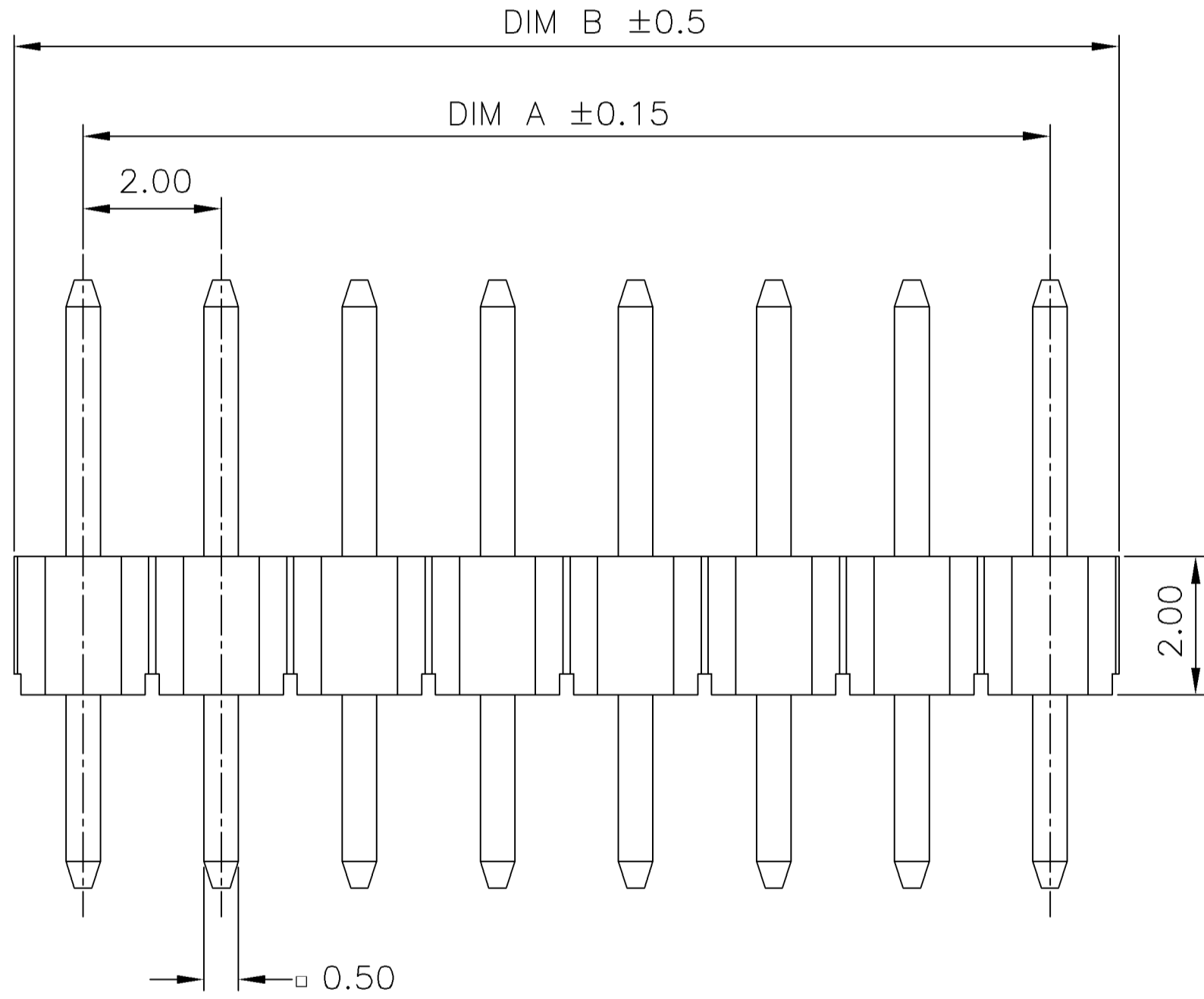
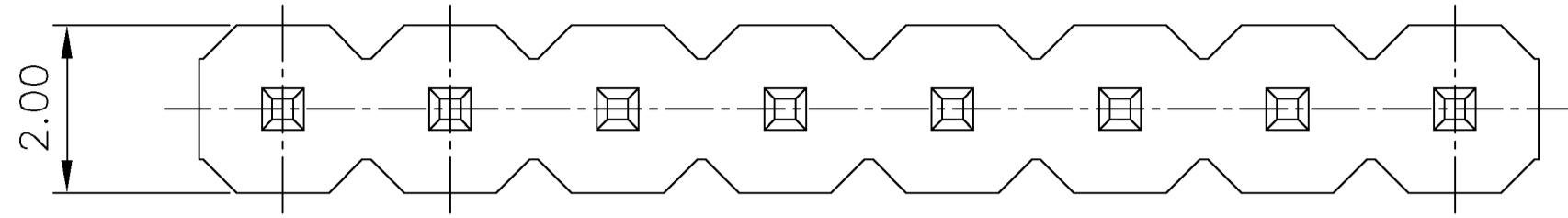


THIS INFORMATION IS CONFIDENTIAL AND IS DISCLOSED TO YOU ON CONDITION THAT NO FURTHER DISCLOSURE IS MADE BY YOU TO OTHER THAN AMP PERSONNEL WITHOUT WRITTEN AUTHORIZATION FROM AMP (TAIWAN) LTD. DIMENSIONS IN MILLIMETERS. DO NOT SCALE PRINT.

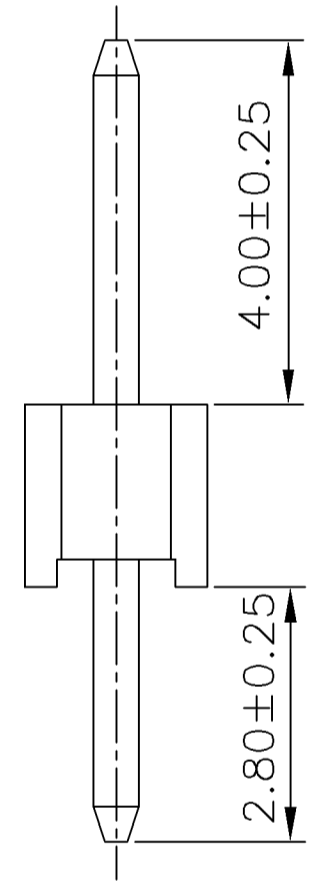
NUMBER  
C-1834040

METRIC  
3RD ANGLE PROJECTION

PRINT DIST  
DW



RECOMMENDED PCB LAYOUT  
THICKNESS=1.60mm



NOTE:

- MATERIAL :  
HOUSING : THERMOPLASTIC, WITH 30%GF, UL 94V-0, BLACK COLOR.  
CONTACT : BRASS, THICKNESS=0.50mm.
- FINISH:  
CONTACT : GOLD PLATED (SEE TABLE) ON CONTACT AREA  
2.03  $\mu\text{m}$  [80u"] MIN. BRIGHT TIN PLATED ON SOLDER TAILS,  
1.27  $\mu\text{m}$  [50u"] MIN. NICKEL UNDERPLATED OVER ALL
- WAVE SOLDER CAPABLE TO 240°C PER TYCO SPEC 109-202, CONDITION A.

0.2 $\mu\text{m}$ [8 $\mu$ "]	20.00	18.00	10	2-1834040-0
	12.00	10.00	6	1-1834040-6
GOLD FLASH	8.00	6.00	4	1-1834040-4
	20.00	18.00	10	1-1834040-0
MIN. GOLD THICKNESS	12.00	10.00	6	1834040-6
	8.00	6.00	4	1834040-4
	DIM B	DIM A	POSITION NUMBER	PART NUMBER
	DIMENSIONS			

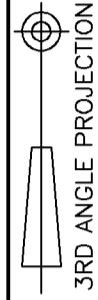
TOLERANCES UNLESS OTHERWISE SPECIFIED: 0 PLC $\pm$ 1 PLC $\pm$ 0.25 2 PLC $\pm$ 0.15 3 PLC $\pm$ ANGLES $\pm$	DWN	O. HU 26-SEP-2006	TYCO HOLDINGS (BERMUDA) VII LTD. TAIWAN BRANCH			
	CHK	S. HOU 26-SEP-2006				
MATERIAL	APVD	W.J. KE 26-SEP-2006	NAME  HEADER, 2.0MM PITCH, HEADER			
SEE NOTE	PRODUCT SPEC	108-57524				
FINISH	QUALIFICATION TEST REPORT	501-57631	LOC DW	SIZE A <sub>3</sub>	DRAWING NO C-1834040	REV A
	WEIGHT		SCALE	--	SHEET	1 OF 2

A	FIRST RELEASED		OH SH	30SEP 2006
LTR	REVISION RECORD	ECN	DWN CHK	DATE

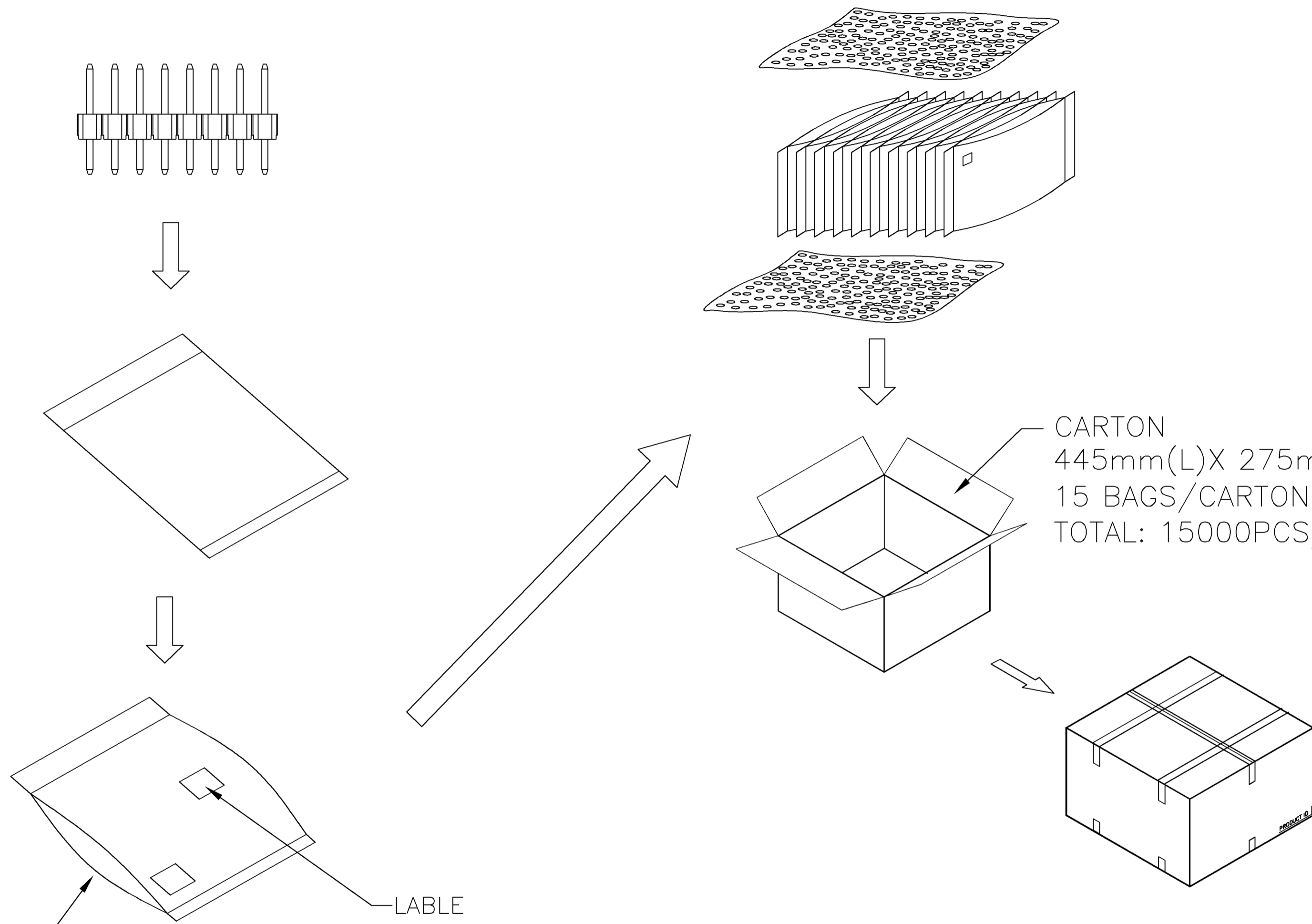
THIS INFORMATION IS CONFIDENTIAL AND IS DISCLOSED TO YOU ON CONDITION THAT NO FURTHER DISCLOSURE IS MADE BY YOU TO OTHER THAN AMP PERSONNEL WITHOUT WRITTEN AUTHORIZATION FROM AMP (TAIWAN) LTD. DIMENSIONS IN MILLIMETERS. DO NOT SCALE PRINT.

PRINT DIST  
DW

METRIC



NUMBER  
C-1834040



BAG  
100mm(L)\*200mm(W)  
1000PCS/BAG

LABLE

CARTON  
445mm(L)X 275mm(W)X205mm(H)  
15 BAGS/CARTON  
TOTAL: 15000PCS/CARTON

TOLERANCES UNLESS OTHERWISE SPECIFIED: 0 PLC ± 1 PLC ± 2 PLC ± 3 PLC ± ANGLES ±	DWN	O. HU 26-SEP-2006	 <b>Electronics</b> TYCO HOLDINGS (BERMUDA) VII LTD. TAIWAN BRANCH
	CHK	S. HOU 26-SEP-2006	
MATERIAL  SEE NOTE	APVD	W.J. KE 26-SEP-2006	NAME  HEADER, 2.0MM PITCH, HEADER
	PRODUCT SPEC	--	
FINISH  SEE NOTE	APPLICATION SPEC	--	LOC DW
	WEIGHT	--	SCALE
			SIZE <b>A<sub>3</sub></b>
			DRAWING NO C-1834040
			REV A
			SHEET 2 OF 2

SEE SHEET 1.	ECN	DWN	CHK	DATE
LTR	REVISION RECORD			