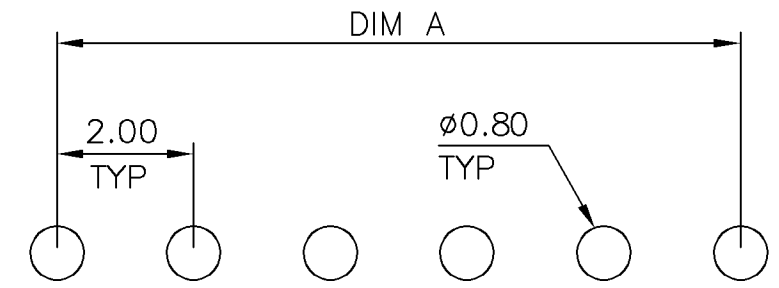
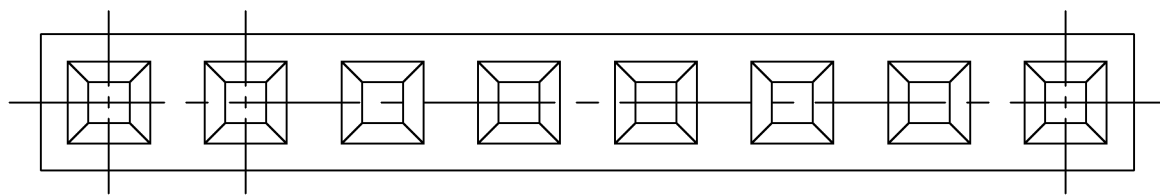


THIS INFORMATION IS CONFIDENTIAL AND IS DISCLOSED TO YOU ON CONDITION THAT NO FURTHER DISCLOSURE IS MADE BY YOU TO OTHER THAN AMP PERSONNEL WITHOUT WRITTEN AUTHORIZATION FROM AMP (TAIWAN) LTD. DIMENSIONS IN MILLIMETERS. DO NOT SCALE PRINT.

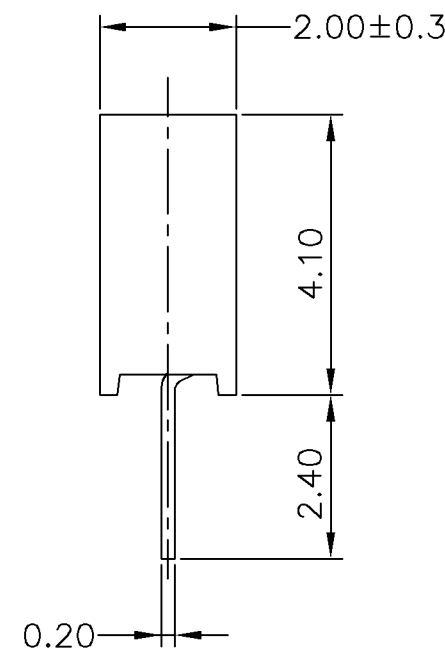
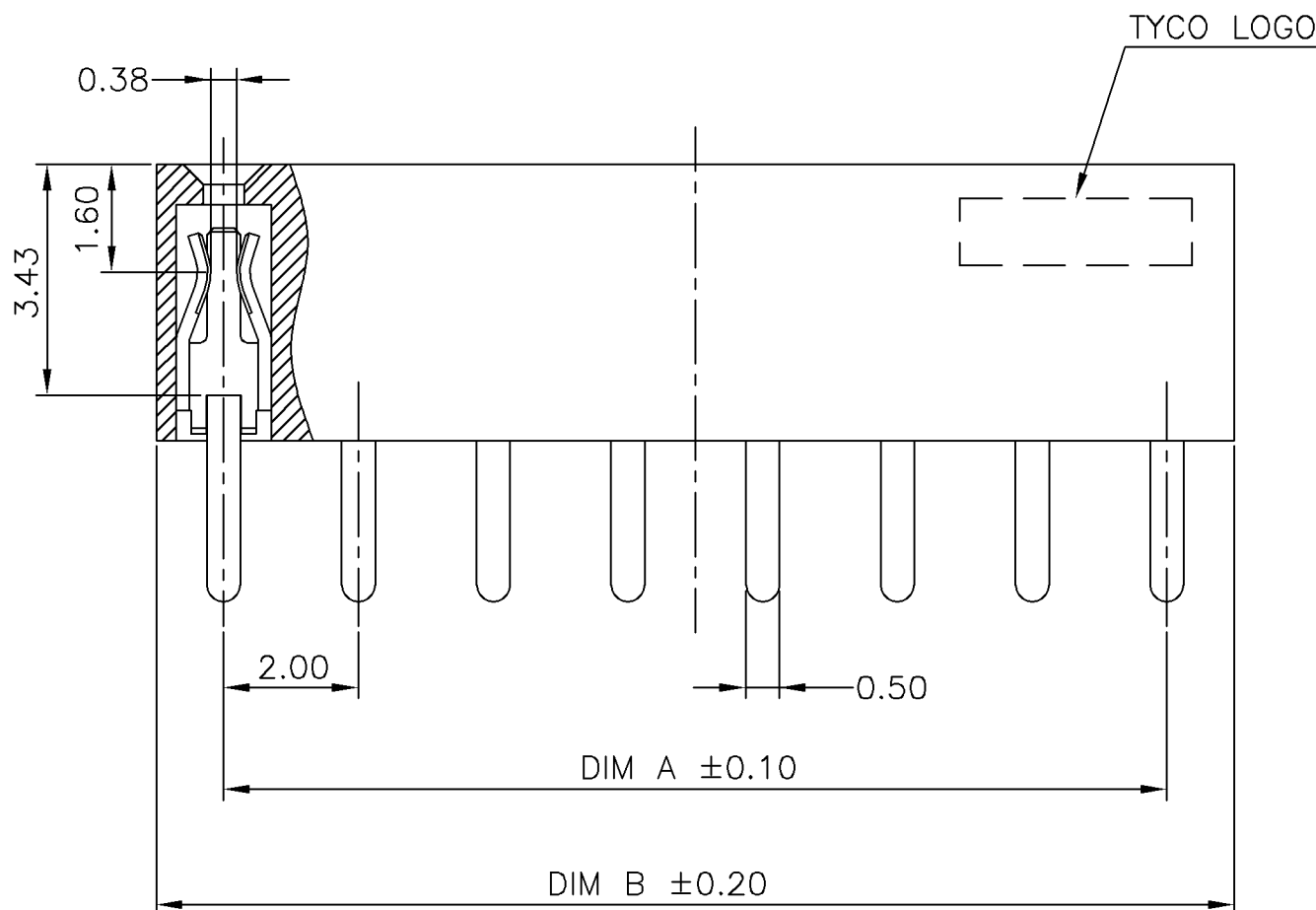
NUMBER
C-1834039

3RD ANGLE PROJECTION

METRIC



RECOMMENDED PCB LAYOUT



NOTE:

- MATERIAL :
HOUSING : THERMOPLASTIC, UL94V-0, BLACK COLOR.
CONTACT : PHOSPHOR BRONZE, THICKNESS=0.20mm.
- FINISH:
CONTACT : GOLD PLATED (SEE TABLE) ON CONTACT AREA
80u" MIN. MATTE TIN ON SOLDER TAILS,
50u" MIN. NICKEL UNDERPLATED ALL OVER.
- WAVE SOLDER CAPABLE TO 265°C PER TYCO SPEC 109-202, CONDITION B.

8μ"	20.00	18.00	10	2-1834039-0
	12.50	10.00	6	1-1834039-6
	8.00	6.00	4	1-1834039-4
GOLD FLASH	20.00	18.00	10	1-1834039-0
	12.50	10.00	6	1834039-6
	8.00	6.00	4	1834039-4
MIN. GOLD THICKNESS	DIM B	DIM A	POSITION NUMBER	PART NUMBER
	DIMENSIONS			

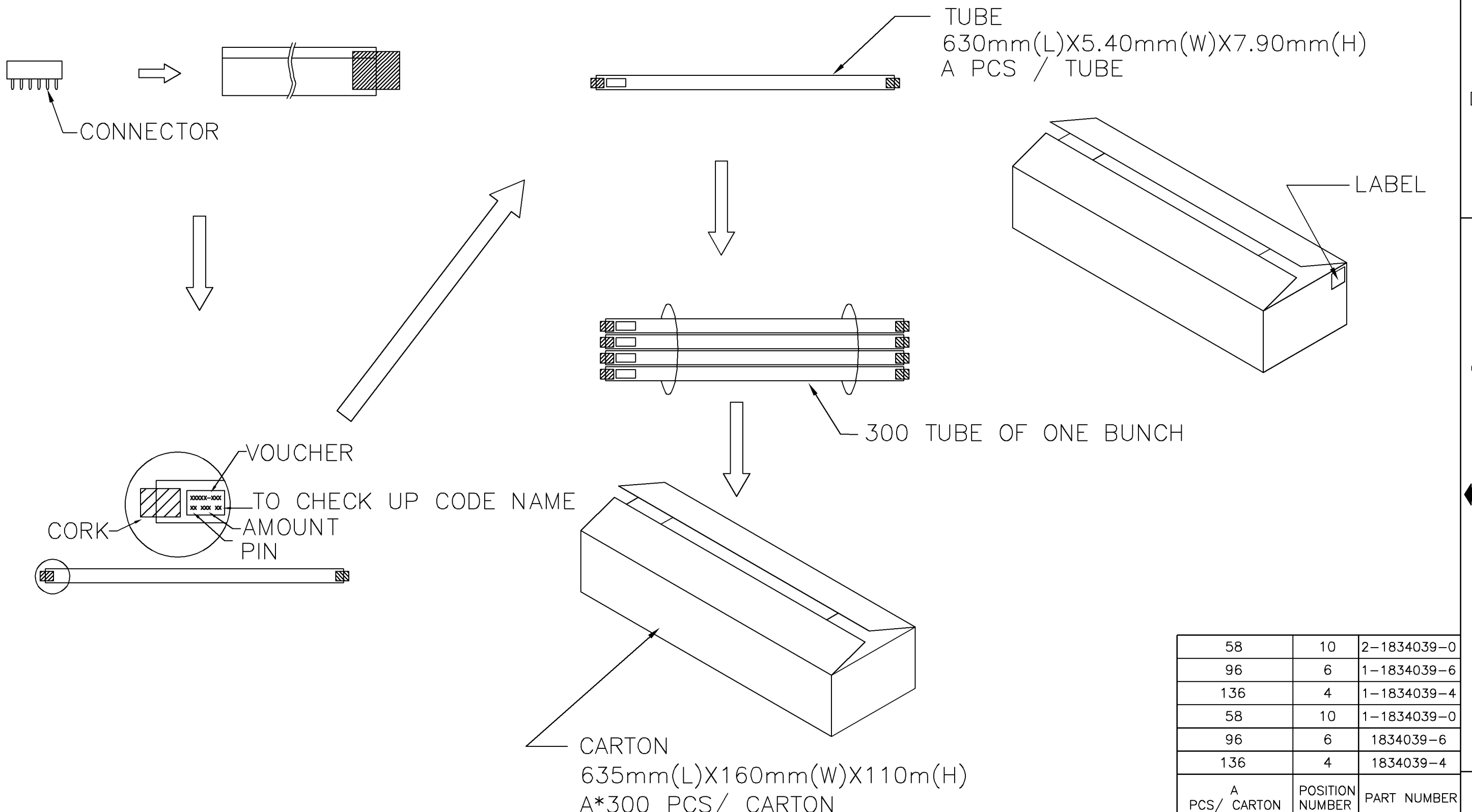
TOLERANCES UNLESS OTHERWISE SPECIFIED: DWN		O. HU 14-SEP-2006		TYCO HOLDINGS (BERMUDA) VII LTD. TAIWAN BRANCH NAME	
0 PLC ± 1 PLC ±0.25 2 PLC ±0.15 3 PLC ± ANGLES ±		CHK S. HOU 14-SEP-2006			
MATERIAL SEE NOTE		APVD W.J. KE 14-SEP-2006		HEADER, 2.0MM PITCH, RECEPTACLE LOC DW A ₃ C-1834039 REV B SCALE -- SHEET 1 OF 2	
FINISH SEE NOTE		PRODUCT SPEC 108-57524 QUALIFICATION TEST REPORT 501-57631 WEIGHT			

B	ADD P/Ns	ECR-06-022049	OH SH	15SEP 2006
A1	REVISE PACKAGE QTY'S	ECR-06-013595	OH SH	09JUN 2006
A	FIRST RELEASED		OH SH	05MAY 2006
LTR	REVISION RECORD	ECN	DWN CHK	DATE

PRINT DIST
DW

THIS INFORMATION IS CONFIDENTIAL AND IS DISCLOSED TO YOU ON CONDITION THAT NO FURTHER DISCLOSURE IS MADE BY YOU TO OTHER THAN AMP PERSONNEL WITHOUT WRITTEN AUTHORIZATION FROM AMP (TAIWAN) LTD. DIMENSIONS IN MILLIMETERS. DO NOT SCALE PRINT.

NUMBER C-1834039
METRIC
3RD ANGLE PROJECTION



58	10	2-1834039-0
96	6	1-1834039-6
136	4	1-1834039-4
58	10	1-1834039-0
96	6	1834039-6
136	4	1834039-4
A PCS/ CARTON	POSITION NUMBER	PART NUMBER

TOLERANCES UNLESS OTHERWISE SPECIFIED:		DWN	O. HU	TYCO HOLDINGS (BERMUDA) VII LTD. TAIWAN BRANCH
0 PLC	±		14-SEP-2006	
1 PLC	±		CHK	NAME
2 PLC	±		S. HOU	
3 PLC	±		14-SEP-2006	HEADER, 2.0MM PITCH, RECEPTACLE
ANGLES	±		APVD	
MATERIAL	SEE NOTE		W.J. KE	LOC SIZE DRAWING NO REV DW A ₃ C-1834039 B
FINISH	SEE NOTE		14-SEP-2006	
			PRODUCT SPEC	SCALE SHEET -- 2 OF 2

			APPLICATION SPEC	

			WEIGHT	

SEE SHEET 1.	ECN	DWN	CHK	DATE
LTR	REVISION RECORD			

PRINT DIST
DW