

4

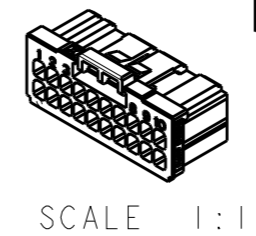
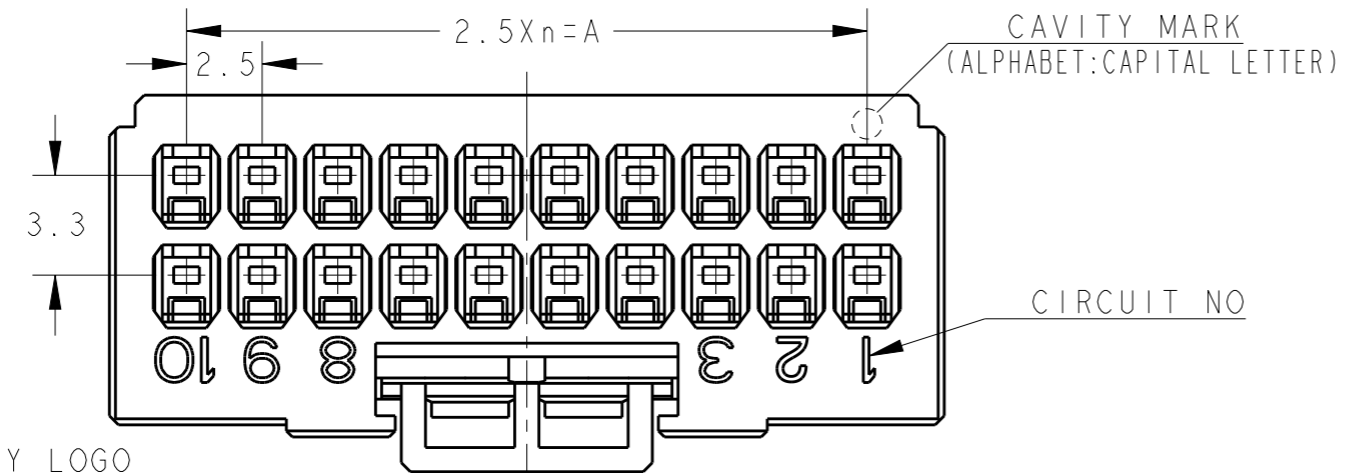
3

2

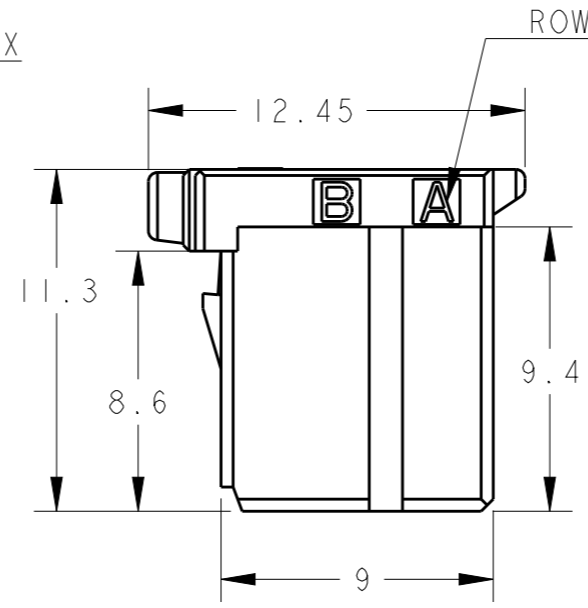
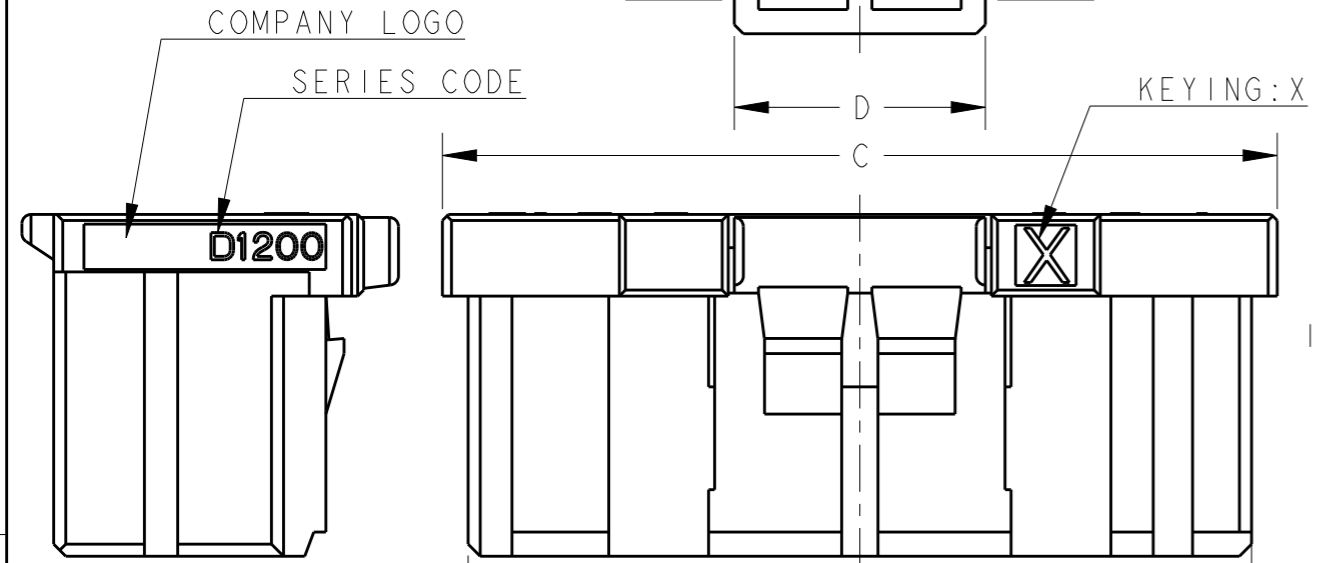
1

THIS DRAWING IS UNPUBLISHED. RELEASED FOR PUBLICATION
 © COPYRIGHT - ALL RIGHTS RESERVED.

| LOC | DIST | REVISIONS | | | | | |
|-----|------|-----------|-----|---------------------------|-----------|------|------|
| J | | P | LTR | DESCRIPTION | DATE | DWN | APVD |
| | | E | | REVISED PER-ECR-20-011859 | 21AUG2020 | M. J | E. I |



- 1. MATERIAL: GLASS FILLED THERMO PLASTIC POLYESTER(94V-0), COLOR: BLACK
- 2. THE SHAPE, SIZE AND POSITION OF THE CHARACTER SHOW THE OUTLINE. THEY DON'T SHOW DETAILS.
- 3. THE KEYING ARRANGEMENT OF "Y" IS SYMMETRIC WITH "X".

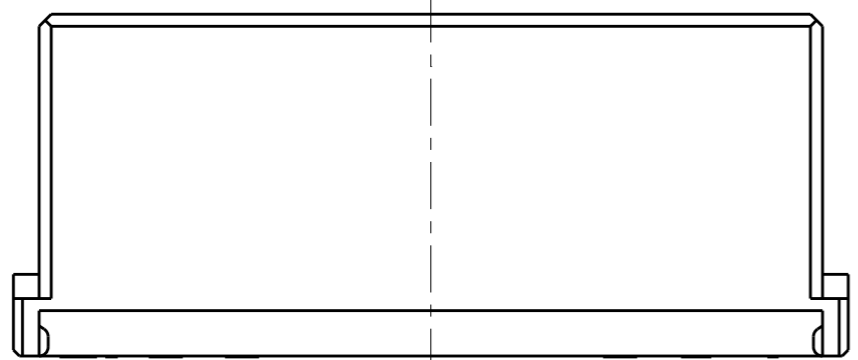
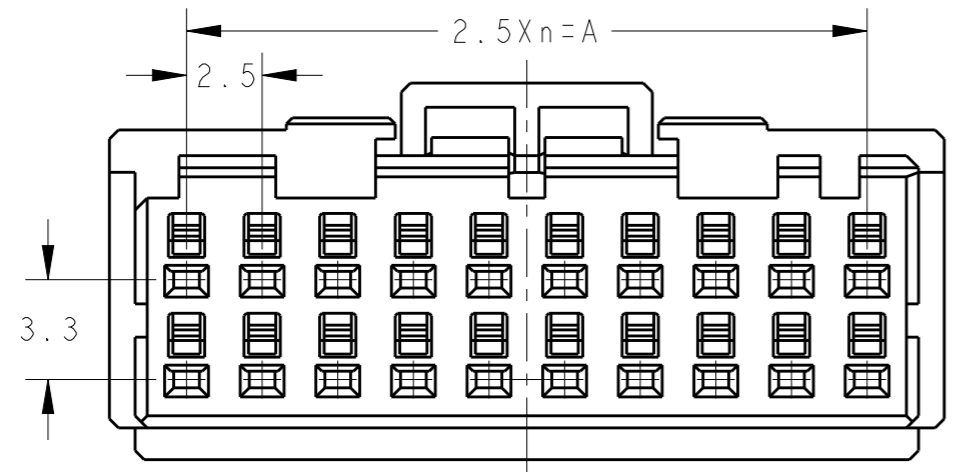


- 4. DIFFERENT HEIGHT OF LOCK PROTECTOR. A FINGERTIP IS STOOD AND PUSHED WHEN OPERATING A LOCK LEVER.

- 1. 材料: ガラス入り熱可塑性ポリエステル樹脂(94V-0), 色: 黒
- 2. 文字の形状、大きさ、および位置については、大略を示すものであり、詳細を示すものではありません。
- 3. Y KEY形状は、X KEY形状と左右対称

- 4. LOCK PROTECTORの高さ違いです。ロックレバー操作の際には、指先を立てて押してください。

| POS | KEY | n | A | B | C | D | PART NO |
|-----|-----|---|------|------|------|-----|-------------|
| 20 | Y | 9 | 22.5 | 25.9 | 27.6 | 8.3 | 2-1827864-0 |
| 20 | X | 9 | 22.5 | 25.9 | 27.6 | 8.3 | 1-1827864-0 |
| 16 | Y | 7 | 17.5 | 20.9 | 22.6 | 8.3 | 2-1827864-8 |
| 16 | X | 7 | 17.5 | 20.9 | 22.6 | 8.3 | 1-1827864-8 |
| 12 | Y | 5 | 12.5 | 15.9 | 17.6 | 8.3 | 2-1827864-6 |
| 12 | X | 5 | 12.5 | 15.9 | 17.6 | 8.3 | 1-1827864-6 |
| 12 | X | 5 | 12.5 | 15.9 | 17.6 | 8.3 | 9-1827864-6 |
| 10 | Y | 4 | 10.0 | 13.4 | 15.1 | 3.3 | 2-1827864-5 |
| 10 | X | 4 | 10.0 | 13.4 | 15.1 | 3.3 | 1-1827864-5 |
| 8 | Y | 3 | 7.5 | 10.9 | 12.6 | 3.3 | 2-1827864-4 |
| 8 | X | 3 | 7.5 | 10.9 | 12.6 | 3.3 | 1-1827864-4 |
| 6 | Y | 2 | 5.0 | 8.4 | 10.1 | 3.3 | 2-1827864-3 |
| 6 | X | 2 | 5.0 | 8.4 | 10.1 | 3.3 | 1-1827864-3 |
| 6 | X | 2 | 5.0 | 8.4 | 10.1 | 3.3 | 9-1827864-3 |
| 4 | Y | 1 | 2.5 | 5.9 | 7.6 | 3.1 | 2-1827864-2 |
| 4 | X | 1 | 2.5 | 5.9 | 7.6 | 3.1 | 1-1827864-2 |
| 4 | X | 1 | 2.5 | 5.9 | 7.6 | 3.1 | 9-1827864-2 |



20POS(X-KEY): 1-1827864-0

THIS DRAWING IS A CONTROLLED DOCUMENT.

| | |
|----------------------------|--|
| DIMENSIONS: 単位: 耗 mm | TOLERANCES UNLESS OTHERWISE SPECIFIED: 一般公差 ±0.3, ±5° |
| 0 PLC ± | 1 PLC ± |
| 2 PLC ± | 3 PLC ± |
| 4 PLC ± | ANGLES ± |
| MATERIAL 材料 | FINISH 仕上 |

| | | |
|------------------|------------------|-----------|
| DWN | T. KUDO | 23AUG2005 |
| CHK | D. MITSUGI | 23AUG2005 |
| APVD | D. MITSUGI | 23AUG2005 |
| PRODUCT SPEC | 108-78268, 78298 | |
| APPLICATION SPEC | 114-5377 | |
| WEIGHT | | |
| CUSTOMER DRAWING | | |

STE TE Connectivity

NAME
名称 DYNAMIC D1200D 2.5mm PITCH
REC HSG
4-20 POS

| | | | |
|------|-----------|------------|---------------|
| SIZE | CAGE CODE | DRAWING NO | RESTRICTED TO |
| A3 | 00779 | C=1827864 | |

SCALE 尺度 4:1 SHEET 1 OF 4 REV E

THIS DRAWING IS UNPUBLISHED.

RELEASED FOR PUBLICATION

© COPYRIGHT -

ALL RIGHTS RESERVED.

LOC J DIST

P

LTR

SEE SHEET 1

REVISIONS

變更

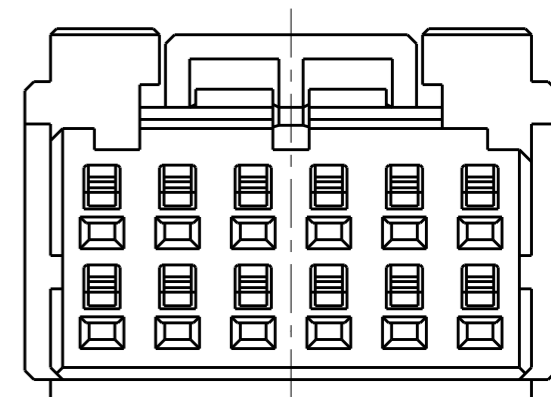
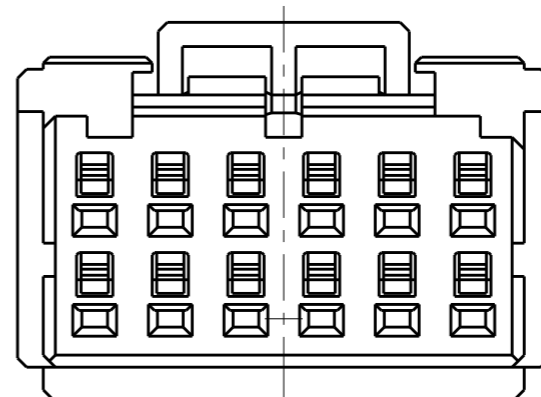
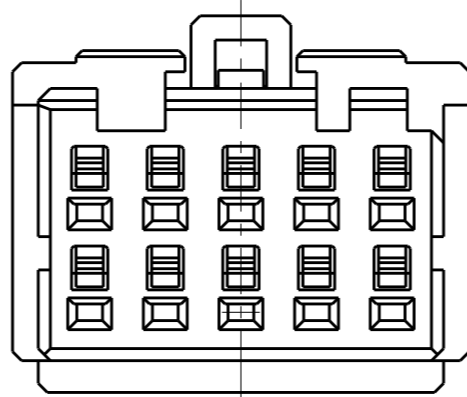
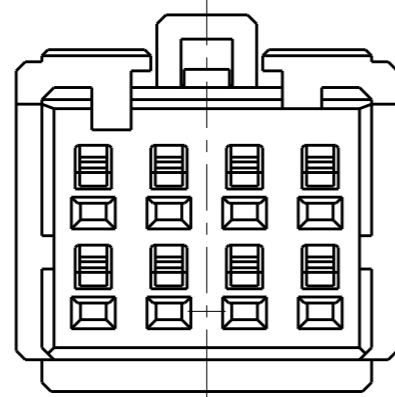
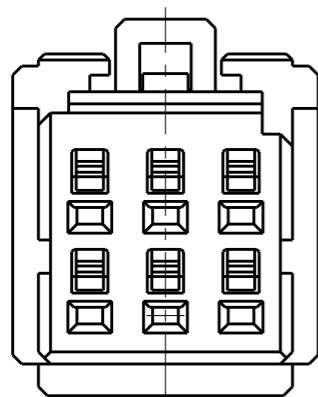
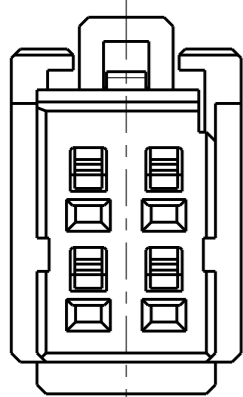
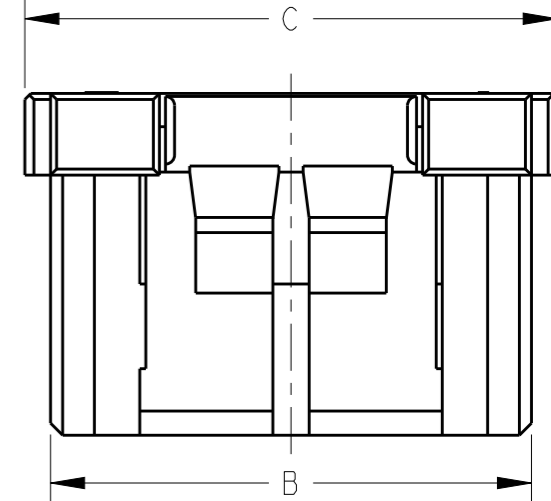
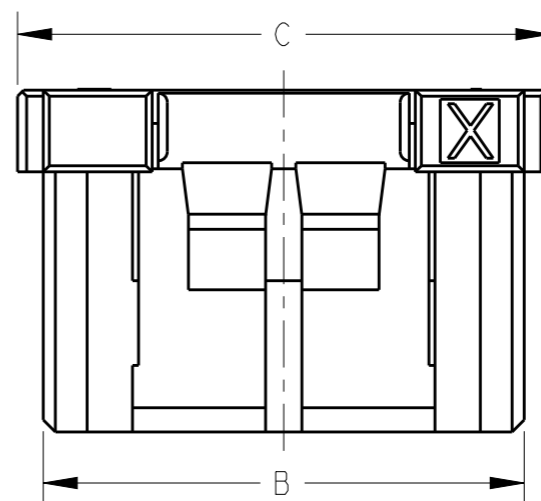
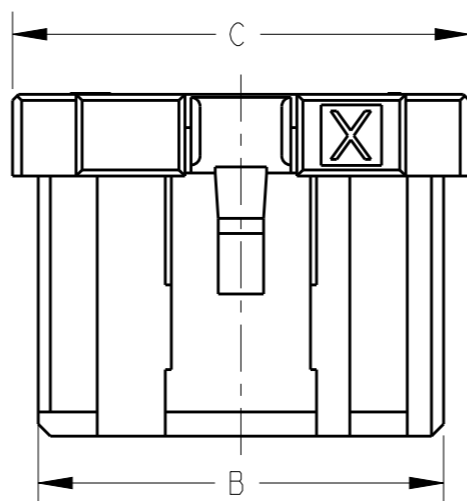
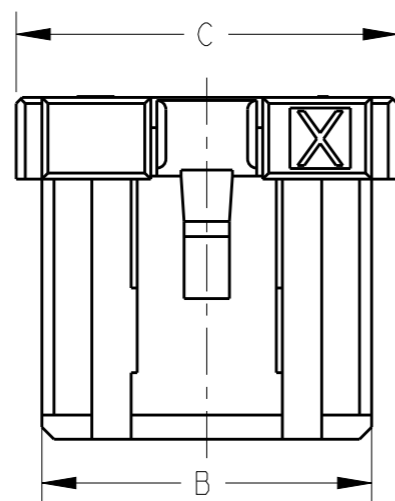
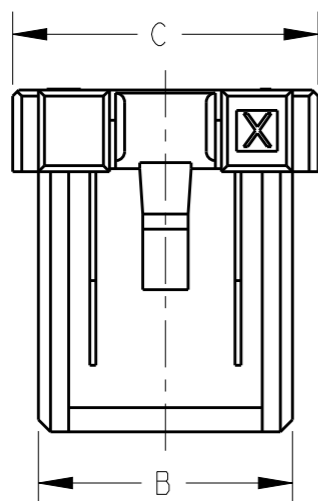
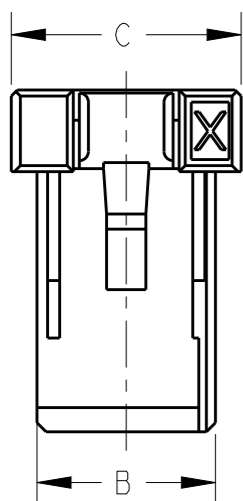
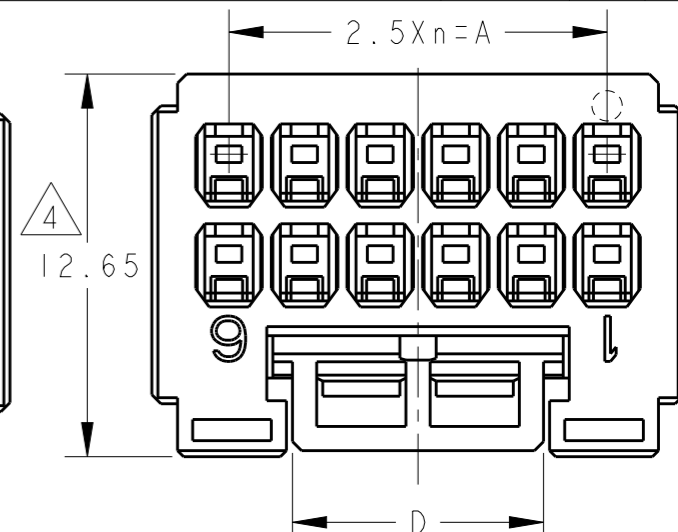
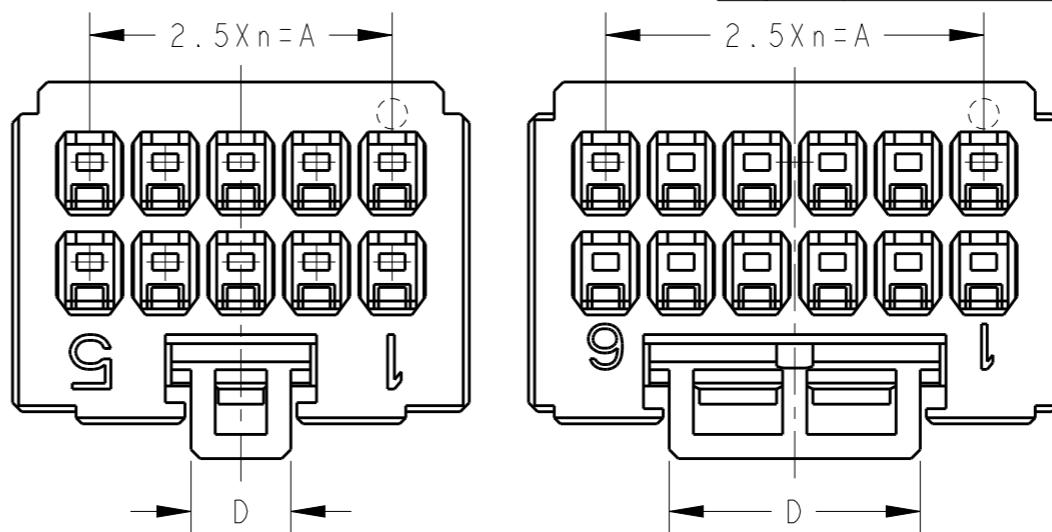
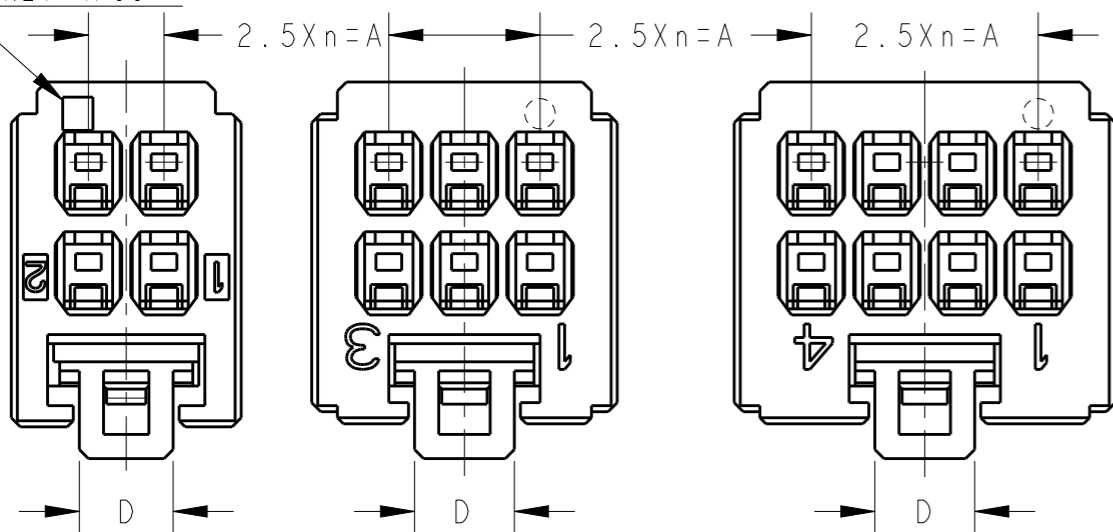
DESCRIPTION

DATE

DWN

APVD

CAVITY MARK ONLY 4POS



4POS(X-KEY)
1-1827864-2

6POS(X-KEY)
1-1827864-3

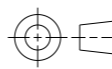
8POS(X-KEY)
1-1827864-4

10POS(X-KEY): 1-1827864-5 12POS(X-KEY): 1-1827864-6

12POS(X-KEY): 9-1827864-6

THIS DRAWING IS A CONTROLLED DOCUMENT.

DIMENSIONS:
單位: 毫
mm



TOLERANCES UNLESS OTHERWISE SPECIFIED:

- 一般公差
- 0 PLC ±
- 1 PLC ±
- 2 PLC ±
- 3 PLC ±
- 4 PLC ±
- ANGLES ±
- FINISH 仕上

MATERIAL 材料

DWN T. KUDO 23AUG2005

CHK D. MITSUGI 23AUG2005

APVD D. MITSUGI 23AUG2005

PRODUCT SPEC 製品規格

108-78268, 78298

APPLICATION SPEC 取付適用規格

114-5377

WEIGHT

CUSTOMER DRAWING

NAME 名称

DYNAMIC DI200D 2.5mm PITCH
REC HSG
4-20 POS

SIZE

CAGE CODE

DRAWING NO 番号

RESTRICTED TO

A3

00779

C-1827864

SCALE 尺度 4:1

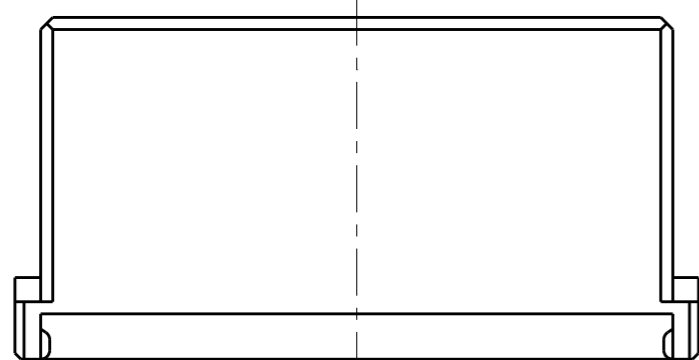
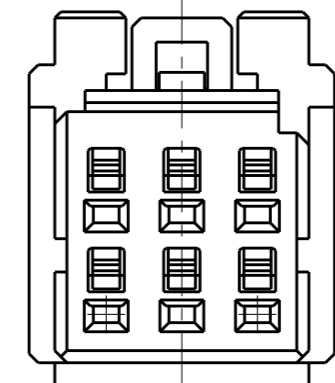
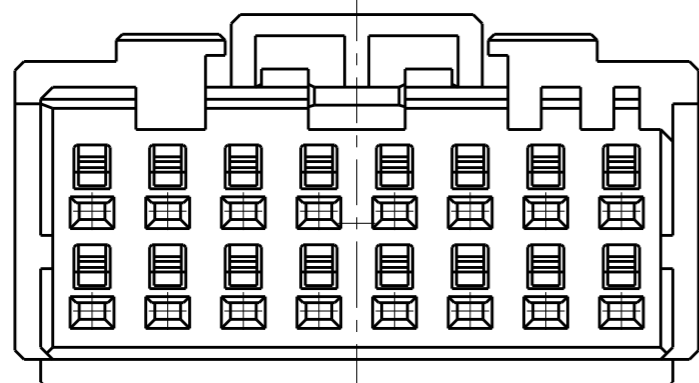
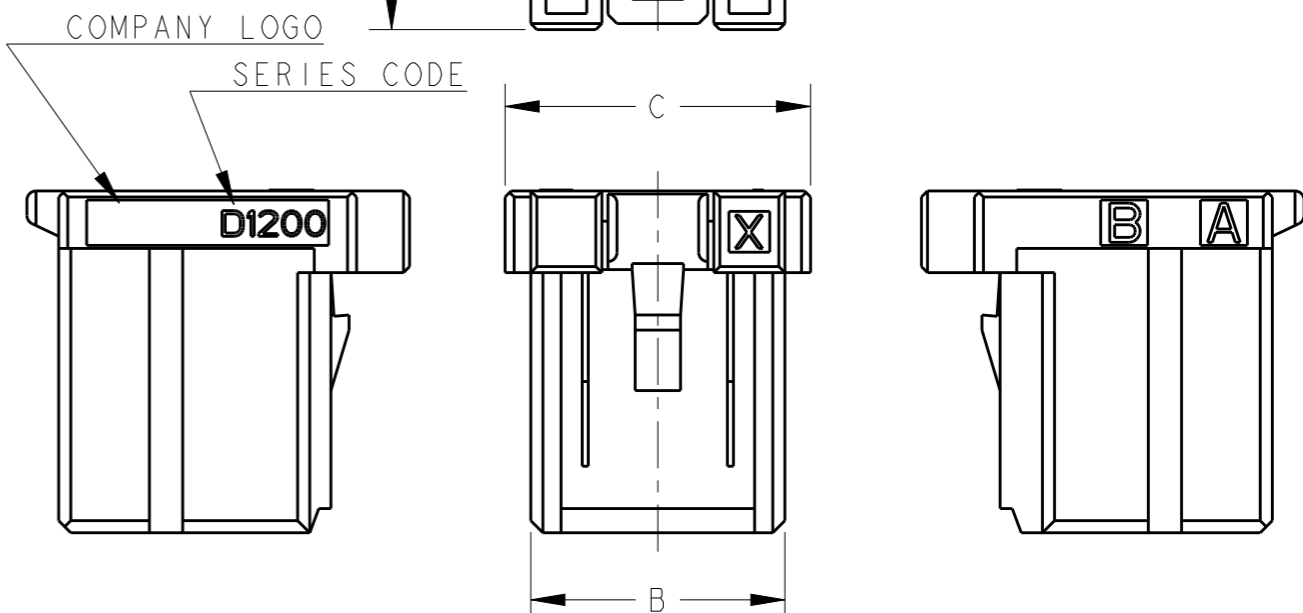
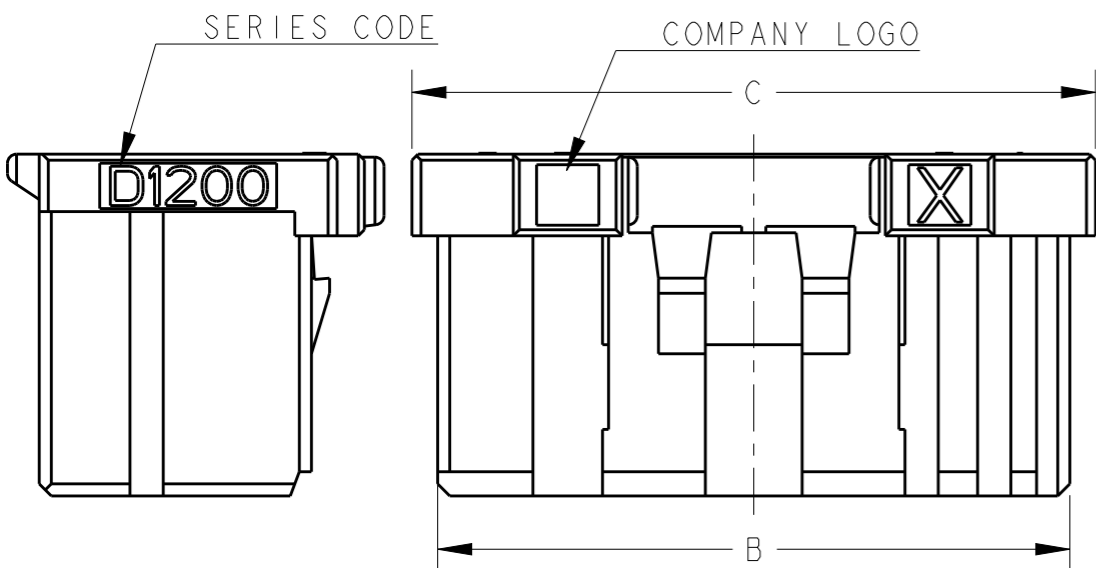
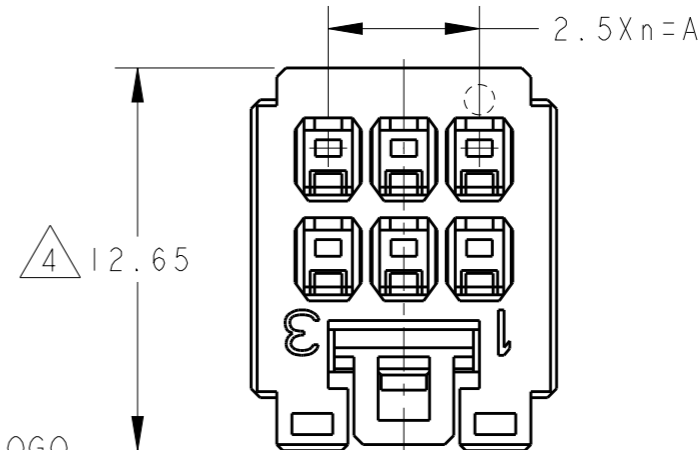
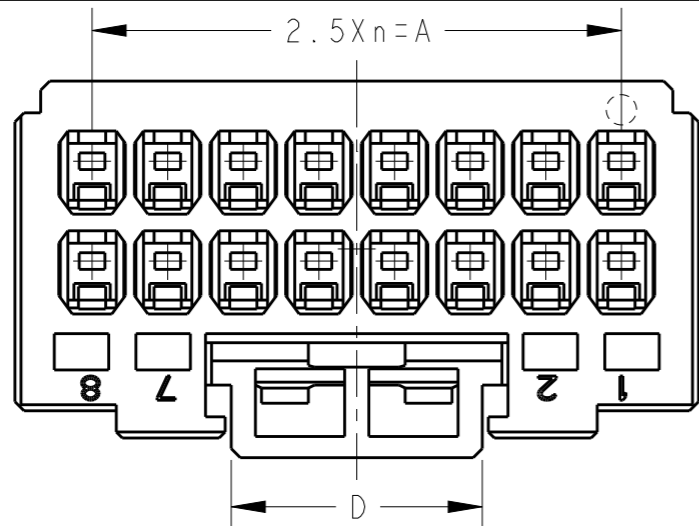
SHEET 2 OF 4

REV E




THIS DRAWING IS UNPUBLISHED. RELEASED FOR PUBLICATION
 © COPYRIGHT - ALL RIGHTS RESERVED.

| LOC | DIST | REVISIONS | | | | | |
|-----|------|-----------|-----|-------------|------|-----|------|
| J | | P | LTR | DESCRIPTION | DATE | DWN | APVD |
| | | - | | SEE SHEET 1 | - | - | - |



△ 6POS(X-KEY): 9-1827864-3

16POS(X-KEY): 1-1827864-8

| | | | | |
|--|--|---------------------------------|---|-----------|
| THIS DRAWING IS A CONTROLLED DOCUMENT. | | DWN T. KUDO 23AUG2005 |  TE Connectivity | |
| DIMENSIONS: 単位: 概 mm | | CHK D. MITSUGI 23AUG2005 | | |
| TOLERANCES UNLESS OTHERWISE SPECIFIED: | | APVD D. MITSUGI 23AUG2005 | NAME 名称 DYNAMIC D1200D 2.5mm PITCH | |
| 一般公差 | | PRODUCT SPEC | REC HSG | |
| 0 PLC ± | | 製品規格 | 4-20 POS | |
| 1 PLC ± | | APPLICATION SPEC | SIZE | CAGE CODE |
| 2 PLC ± | | 取付適用規格 | A3 | 00779 |
| 3 PLC ± | | WEIGHT | DRAWING NO 番号 C-1827864 | |
| 4 PLC ± | | CUSTOMER DRAWING | RESTRICTED TO | |
| ANGLES ± | | SCALE 尺度 | SHEET 3 OF 4 | |
| FINISH 仕上 | | 4:1 | | REV E |

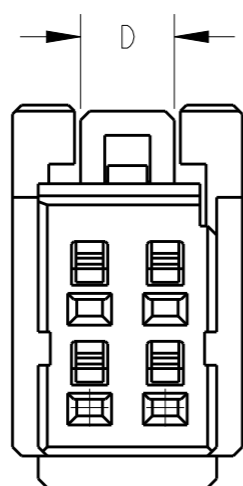
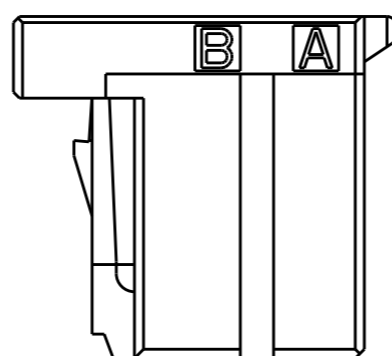
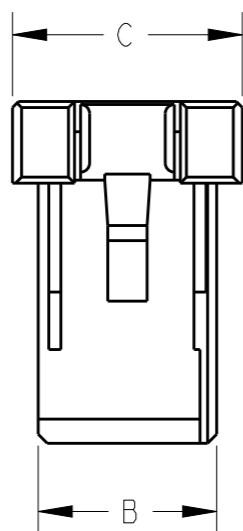
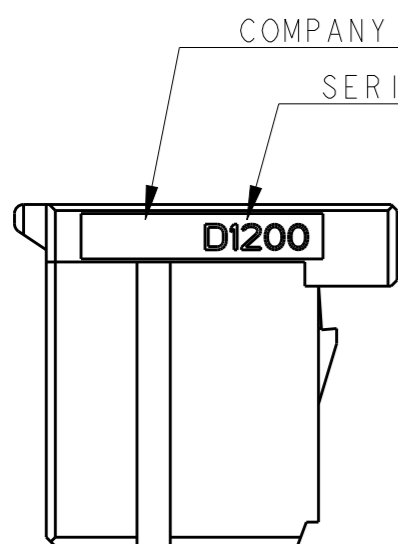
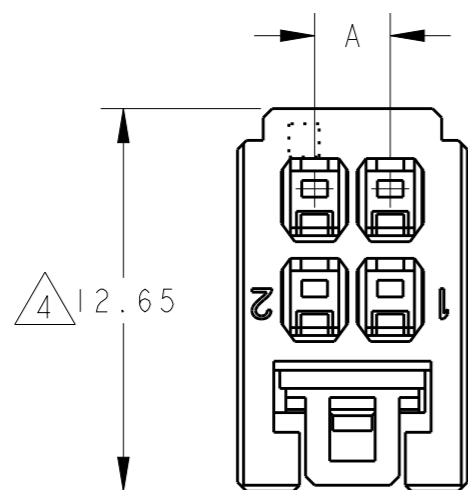
THIS DRAWING IS UNPUBLISHED.

RELEASED FOR PUBLICATION


© COPYRIGHT -

ALL RIGHTS RESERVED.

| | | | | |
|----------|------|-----------------|------|------|
| LOC J | DIST | REVISIONS 変更 | | |
| P | LTR | DESCRIPTION | DATE | APVD |
| - | - | SEE SHEET 1 | - | - |



4 4POS(X-KEY):9-1827864-2

| | | | | | |
|---|--|--|---|--------------------|-------------------------------|
| THIS DRAWING IS A CONTROLLED DOCUMENT. | | DWN T. KUDO 23AUG2005 |  TE Connectivity | | |
| DIMENSIONS: 単位: 耗 mm | | CHK D. MITSUGI 23AUG2005 | | | |
| TOLERANCES UNLESS OTHERWISE SPECIFIED: 一般公差 0 PLC ± 1 PLC ± 2 PLC ± 3 PLC ± 4 PLC ± ANGLES ± | | APVD D. MITSUGI 23AUG2005 | NAME 名称 DYNAMIC D1200D 2.5mm PITCH REC HSG 4-20 POS | | |
| MATERIAL 材料 | | PRODUCT SPEC 製品規格 108-78268, 78298 | SIZE A3 | CAGE CODE 00779 | DRAWING NO 番号 C-1827864 |
| FINISH 仕上 | | APPLICATION SPEC 取付適用規格 114-5377 | RESTRICTED TO | | |
| | | WEIGHT | SCALE 尺度 4:1 | | |
| | | CUSTOMER DRAWING | SHEET 4 OF 4 | | |
| | | | REV E | | |