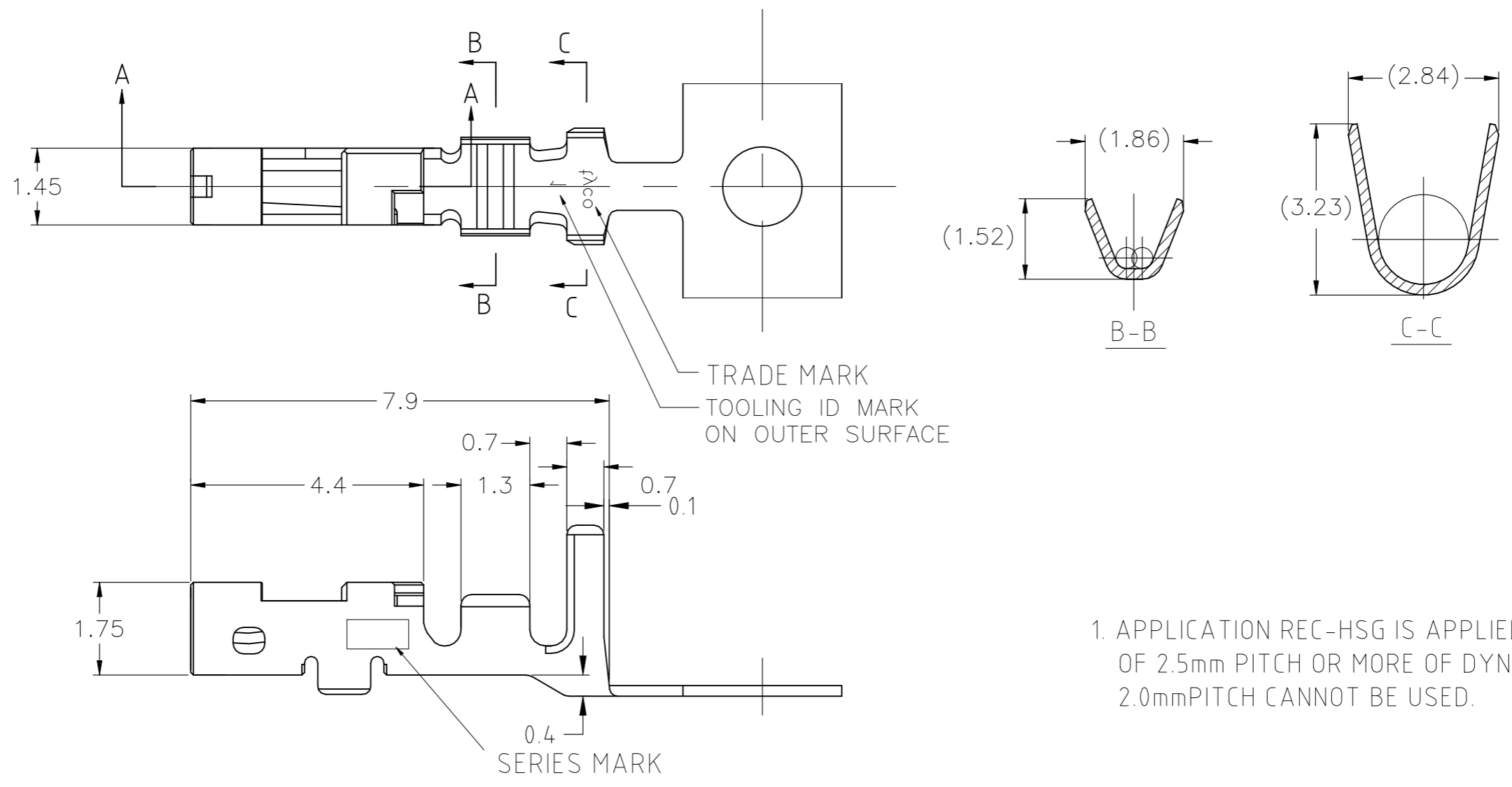


THIS DRAWING IS UNPUBLISHED. RELEASED FOR PUBLICATION  
 © COPYRIGHT - By - ALL RIGHTS RESERVED.

LOC	DIST	REVISIONS					
		P	LTR	DESCRIPTION	DATE	DWN	APVD
J	-	G		REVISED PER ECR-22-142637	16JUN2022	RI	TS



1. APPLICATION REC-HSG IS APPLIED TO THE PRODUCT OF 2.5mm PITCH OR MORE OF DYNAMIC D1000SERIES. 2.0mmPITCH CANNOT BE USED.

MATE WITH 0.5t TAB

DL 4	AWG#28~#22 0.08~0.38mm <sup>2</sup>	φ1.08~φ1.6	COPPER ALLOY,FINISH:CONTACT AREA Au 0.2μm MIN,OVER Ni 1.27μm MIN	1827570-4
DL	AWG#28~#22 0.08~0.38mm <sup>2</sup>	φ1.08~φ1.9	COPPER ALLOY,FINISH:CONTACT AREA Au 0.38μm MIN,OVER Ni 1.27μm MIN	1827571-2
SERIES MARK	WIRE RANGE	INSULATION DIA	MATERIAL	PART No.

THIS DRAWING IS A CONTROLLED DOCUMENT.

DWN T.KUDO	04MAR2005	 TE Connectivity DYNAMIC D1000 SERIES REC CONTACT L TYPE REEL	RESTRICTED TO
CHK D.MITSUGI	04MAR2005		
APVD D.MITSUGI	04MAR2005		
NAME D.MITSUGI			
DIMENSIONS: 単位: 耗 mm	TOLERANCES UNLESS OTHERWISE SPECIFIED: 一般公差	PRODUCT SPEC 製品規格 108-78268	SIZE
0 PLC ± 0.3	1 PLC ±	APPLICATION SPEC 取付適用規格 114-5377	CAGE CODE
2 PLC ±	2 PLC ±	WEIGHT	DRAWING NO
3 PLC ±	3 PLC ±		番号
4 PLC ±	4 PLC ±		SCALE
ANGLES ± 3deg	FINISH 仕上		10:1
MATERIAL 材料			SHEET
			1 OF 1
			REV
			G

CUSTOMER DRAWING