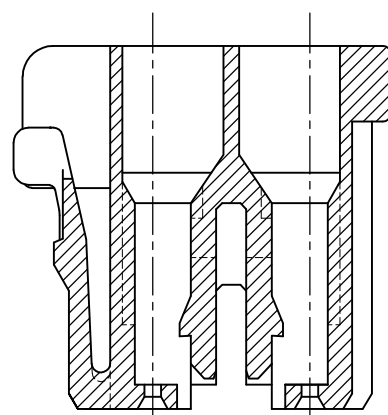
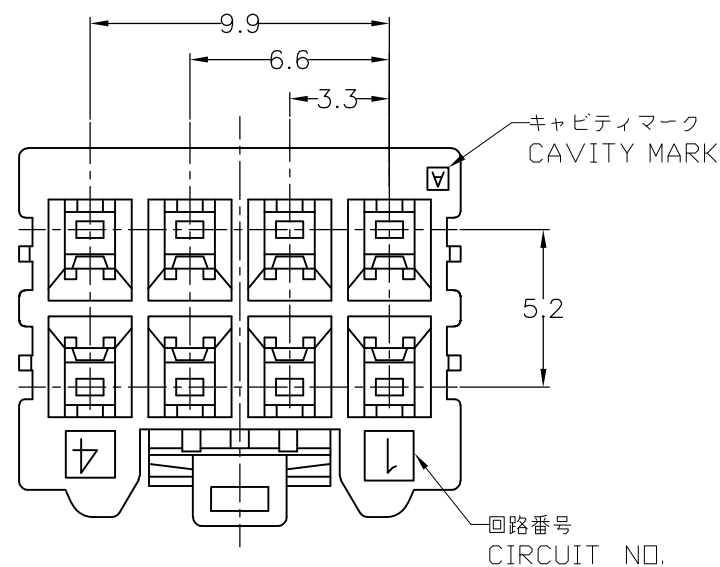
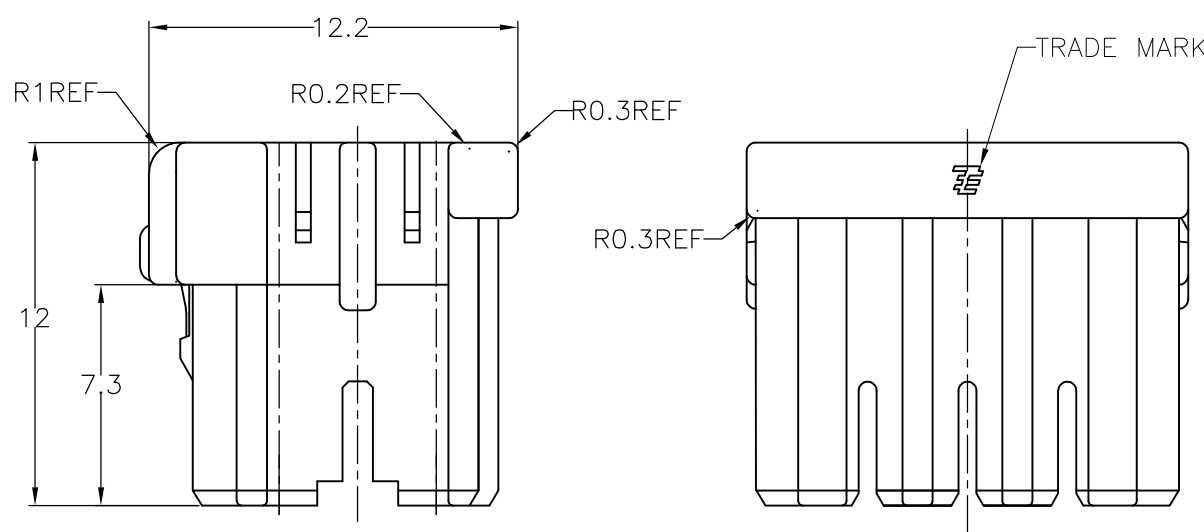
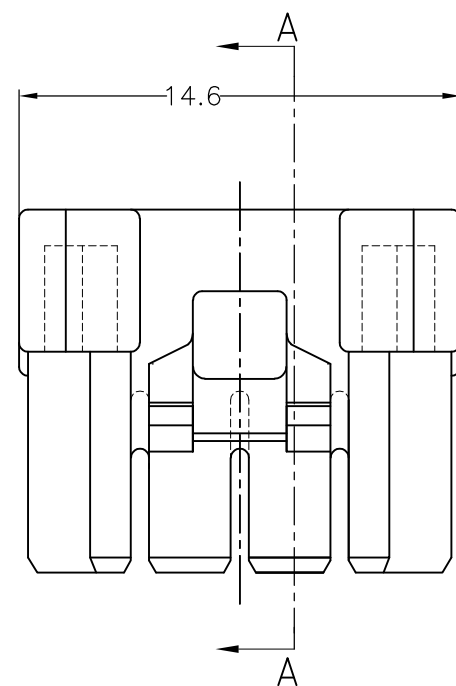


THIS DRAWING IS UNPUBLISHED. RELEASED FOR PUBLICATION
 © COPYRIGHT BY TYCO ELECTRONICS CORPORATION. ALL RIGHTS RESERVED.

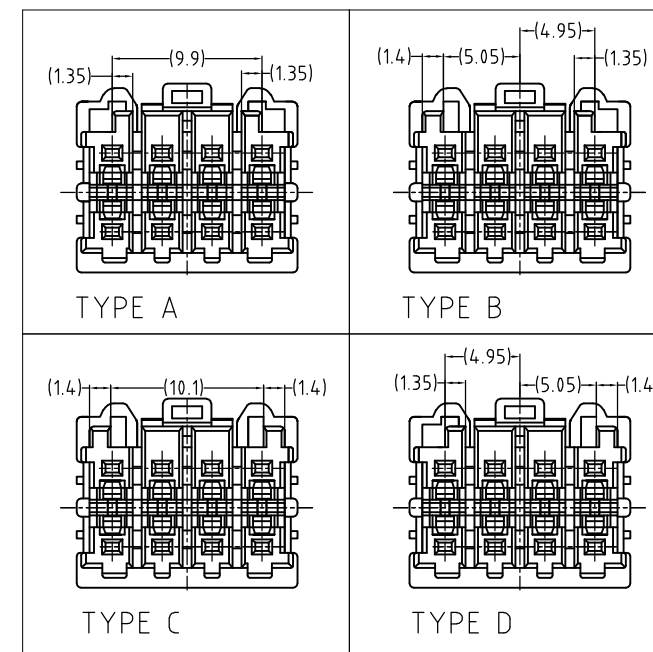
LOC	DIST	REVISIONS					
		P	LTR	DESCRIPTION	DATE	DWN	APVD
J	—		D1	REVISED PER ECR-10-019980	01OCT10	HMR	TM



SECT A-A



TYPE OF KEYING



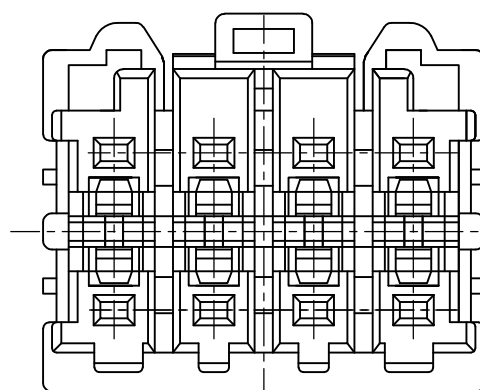
注
 1. かん合相手製品型番：
 ヘッダーアッセンブリ：SEE TABLE
 リセコンタクト：1827395-1

NOTES)
 1. MATING CONN. P/N
 HEADER ASSEMBLY :SEE TABLE
 REC CONTACT:1827395-1

TABLE

プラグハウジング (PLUG HOUSING)	6/6ナイロンガラス強化 (6/6 NYLON GRASS FILLED)
名称 (NAME)	材料 (MATERIAL)

* - 1827393-3	TYPE C	BLUE	2-1827387-3
* - 1827393-1	TYPE A	NATURAL	1827387-1
MATING CONN. P/N	TYPE OF KEYING	COLOR	PART NUMBER



THIS DRAWING IS A CONTROLLED DOCUMENT.		DWN A.OISHI 10DEC2004	Tyco Electronics AMP K.K. Kawasaki, Japan	
DIMENSIONS: 単位: 耗 mm		CHK N.YAMASAKI 10DEC2004	NAME 名称 GRACE INERTIA CONNECTOR 3.3 PLUG HOUSING 8POS.	
TOLERANCES UNLESS OTHERWISE SPECIFIED: 一般公差		APVD N.YAMASAKI 10DEC2004	PRODUCT SPEC 製品規格 108-78231	
0 PLC ± 0.3 1 PLC ± 0.3 2 PLC ± 0.25 3 PLC ± - 4 PLC ± - ANGLES ± -		APPLICATION SPEC 取付適用規格 114-5372	SIZE A3	CAGE CODE 00779
MATERIAL 材料 SEE TABLE	FINISH 仕上 -	WEIGHT -	DRAWING NO 番号 G-1827387	RESTRICTED TO -
CUSTOMER DRAWING			SCALE 尺度 4:1	SHEET 1 OF 1
			REV D1	