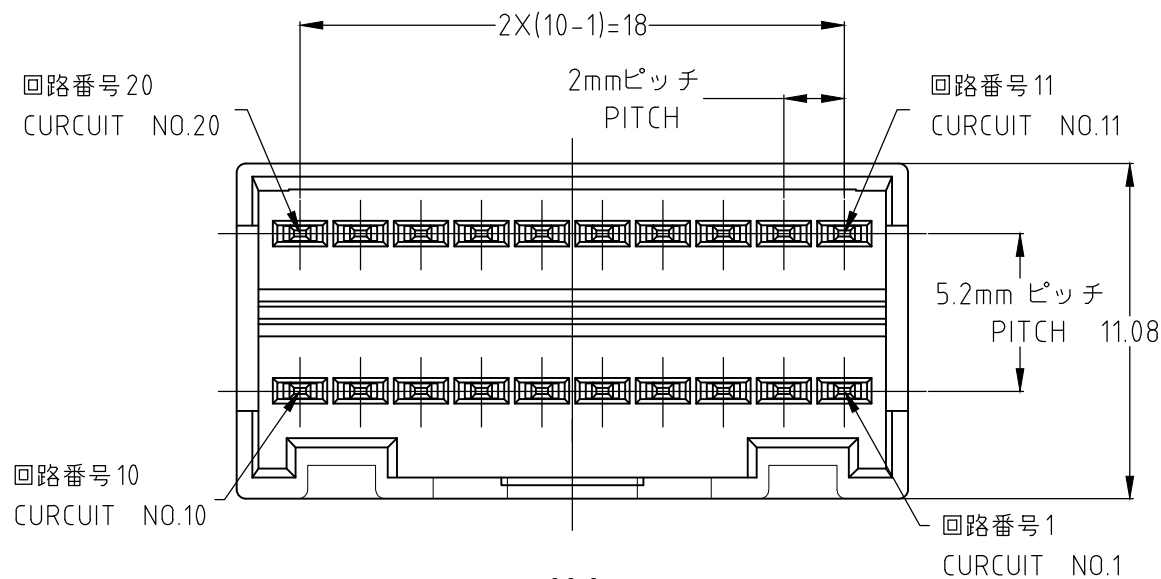


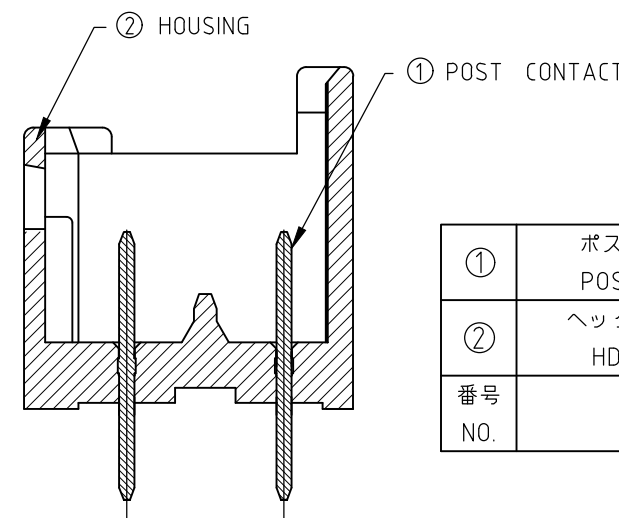
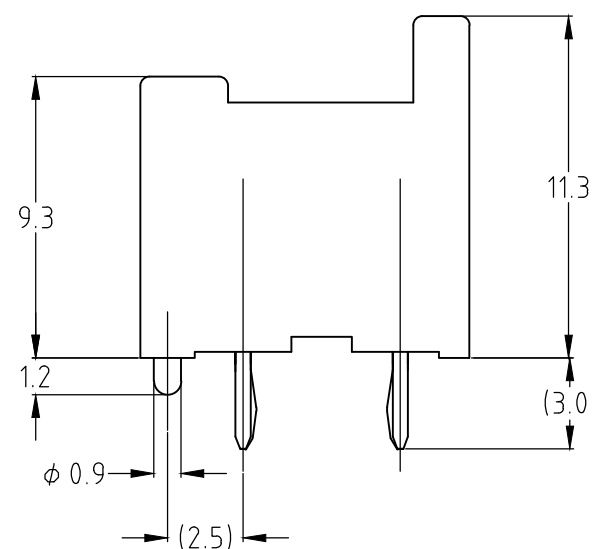
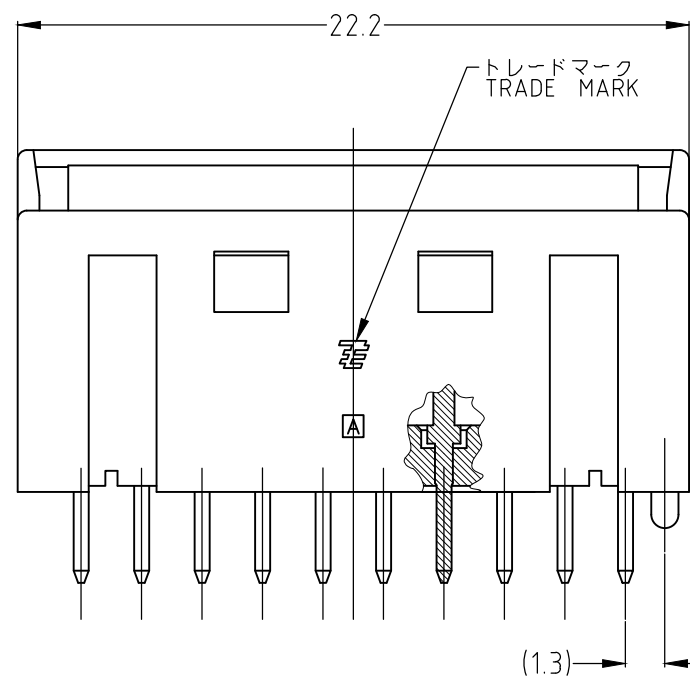
P	LTR	DESCRIPTION	DATE	DWN	APVD
	A2	REVISED PER ECO-20-007218	27MAY2020	C.X	D.Z



NOTES;

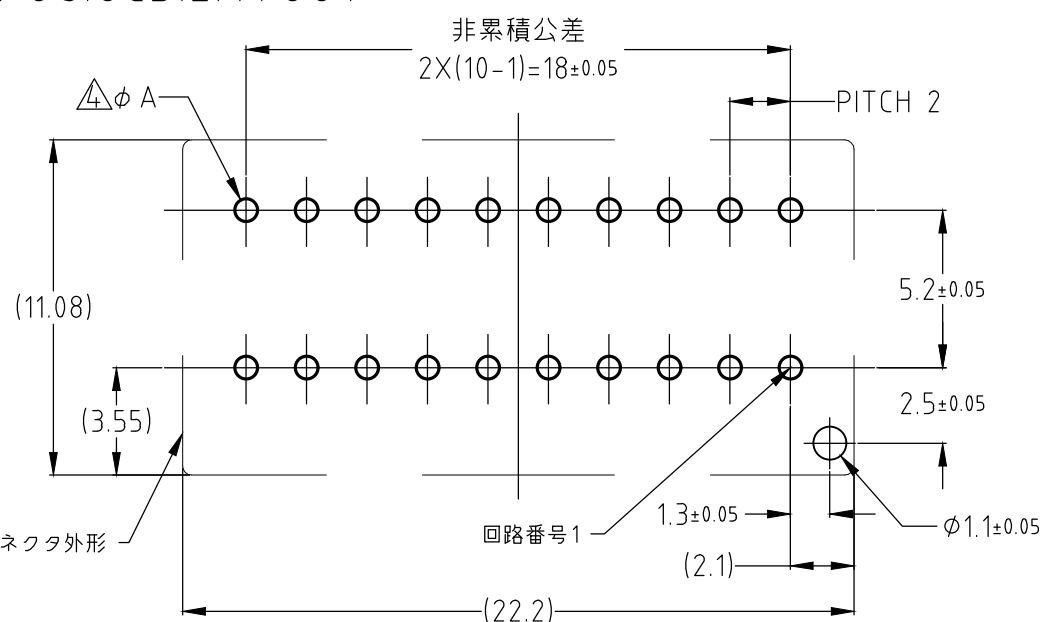
- GENERAL TOLERANCE:  $\pm 0.3, \pm 3^\circ$
- METERIAL: 66NYLON GF (UL94V-0)
- MATING CONN.P/N: SEE TABLE
- APPLICABLE P.C.B HOLE DIA:  $\phi A$   
 PANCED HOLE:  $0.7 \pm 0.1$   
 DRILLED HOLE:  $0.8 \pm 0.05$

PRELIMINARY PARTS NOT FOR PRODUCTION.



番号 NO.	名称 NAME	材料 MATERIAL
①	ポストコンタクト POST CONTACT	黄銅 錫めっき仕上 BRASS, TIN PLATING
②	ヘッダーハウジング HDR HOUSING	66ナイロン・ガラス強化 UL94V-0 66NYLON GF UL94V-0

20POS.0CB.LAYOUT



3-1827228-6	20	YELLOW	⑤ 3-1827229-6
2-1827228-6	20	BLUE	⑤ 2-1827229-6
1-1827228-6	20	RED	⑤ 1-1827229-6
1827228-6	20	NATURAL	1827229-6
かん合相手側型番 (MATING CONN P/N)	極数 (POS)	色調 (COLOR)	型番 (P/N)

THIS DRAWING IS A CONTROLLED DOCUMENT.		DWN J.SATO 07APR2005	<b>STE</b> TE Connectivity	
DIMENSIONS: 単位: 耗 mm		CHK T.HATANO 7APR2005		
TOLERANCES UNLESS OTHERWISE SPECIFIED: 一般公差		APVD N.YAMASAKI 7APR2005	NAME 名称	
0 PLC ± -		PRODUCT SPEC 製品規格	GRACE INERTIA CONNECTOR 2.0 HDR ASSY	
1 PLC ± -		APPLICATION SPEC 取付適用規格	SIZE CAGE CODE DRAWING NO 番号 RESTRICTED TO	
2 PLC ± -		WEIGHT 0.000000	A3 00779 C-1827229	
3 PLC ± -		CUSTOMER DRAWING	SCALE 尺度 4:1 SHEET 1 OF 1 REV A2	
4 PLC ± -				
ANGLES ± -				
FINISH 仕上				
MATERIAL 材料 SEE NOTE				