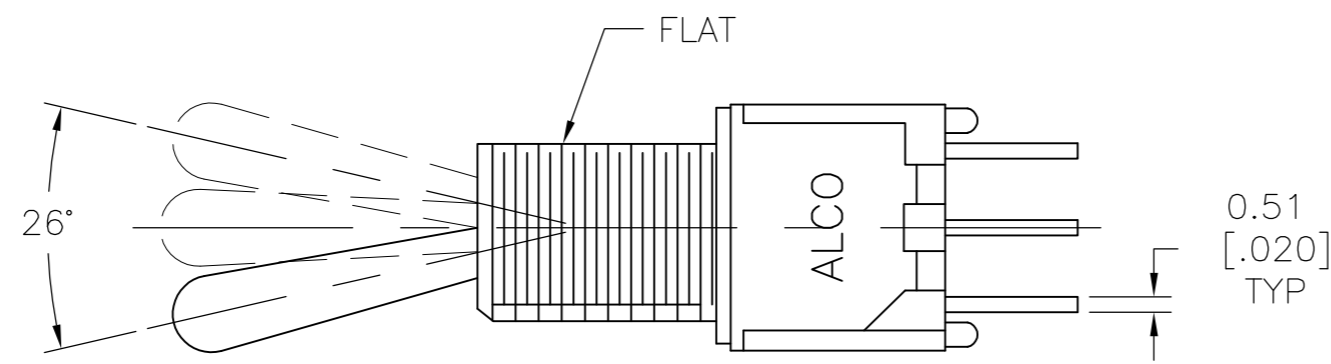


THIS DRAWING IS UNPUBLISHED. RELEASED FOR PUBLICATION  
 © COPYRIGHT BY TYCO ELECTRONICS CORPORATION. ALL INTERNATIONAL RIGHTS RESERVED.

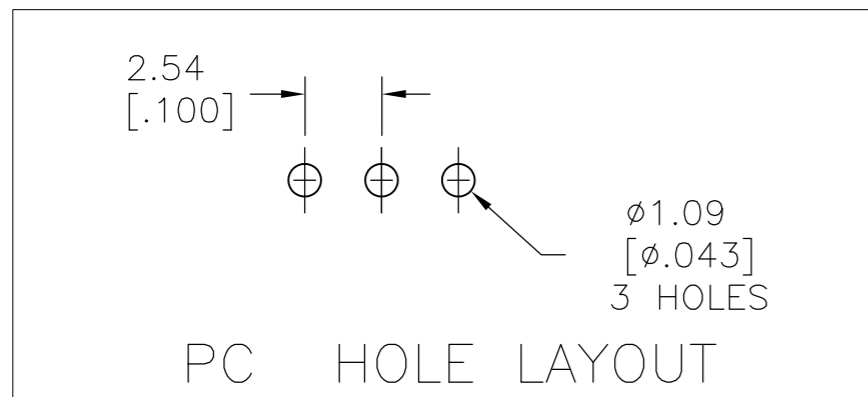
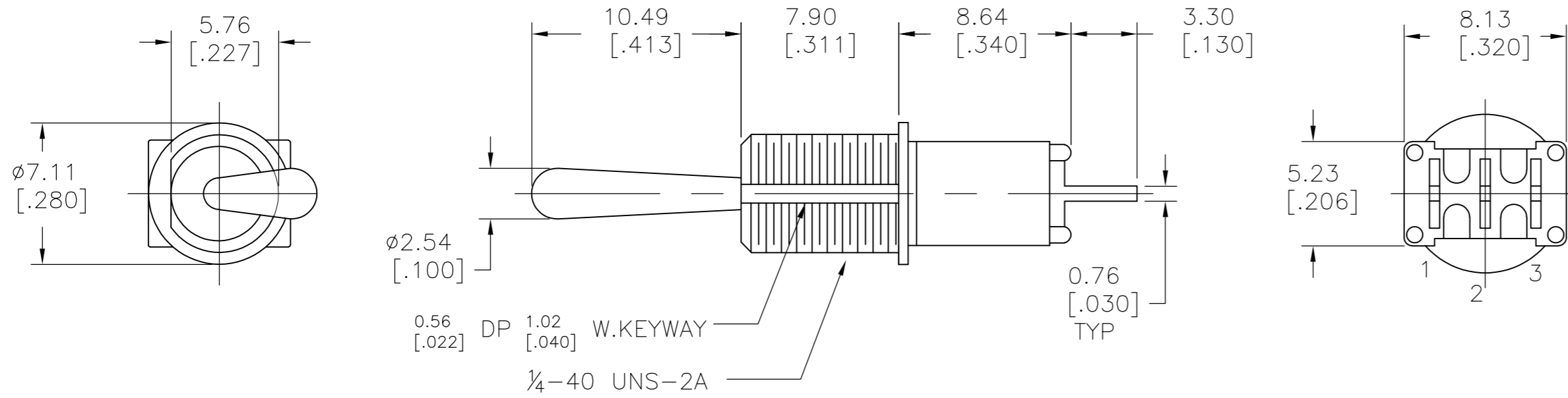
LOC	DIST	REVISIONS					
		P	LTR	DESCRIPTION	DATE	DWN	APVD
-	-	01		REVISED PER ECO-10-024560	10DEC10	HMR	NE



TERMINALS CONNECTED WHEN TOGGLE IN POSITIONS SHOWN.

PART NO	SWITCH ACTION CODE (*)	FLAT		
		3 2 1	3 2 1	3 2 1
1-1825192-8	TT11AGPC9T1/404	OFF	NONE	3 TO 1
1825192-2	TT11DGPC9T1/404	2 TO 3	NONE	2 TO 1
1825192-4	TT11EGPC9T1/404	2 TO 3	OFF	2 TO 1

TERMINAL DESIGNATION NUMBERS ARE FOR REFERENCE ONLY, AND DO NOT APPEAR ON SWITCHES.  
 TERMINAL #2 DOES NOT EXIST ON "A" TYPE SWITCHES.



SPECIFICATION:

CURRENT RATING: 0.4 VA MAX, 20V MAX. (AC/DC)  
 INITIAL CONTACT RESISTANCE: 20 MLLIOHMS MAX. @100mA AND 1mA  
 VOLTAGE WITHSTAND: 1000 V.A.C. BETWEEN TERMINALS AND CASE GROUND FOR ONE MINUTE SUPPLIED WITH MOUNTING HARDWARE

THIS DRAWING IS A CONTROLLED DOCUMENT.		DWN RAGHAVENDRA 20JUL10	Tyco Electronics Corporation Harrisburg, PA 17105-3608	
DIMENSIONS: mm [INCHES]		CHK EPPLEY NAZ 20JUL10	NAME TOGGLE SWITCH TINY SERIES-SINGLE POLE PC (TT11DGPC9T1/404)	
TOLERANCES UNLESS OTHERWISE SPECIFIED:		APVD EPPLEY NAZ 20JUL10	SIZE A2	CAGE CODE 00779
0 PLC ± -		PRODUCT SPEC	DRAWING NO C=1825192-2	RESTRICTED TO
1 PLC ± -		APPLICATION SPEC	SCALE 4:1	SHEET 1 OF 1
2 PLC ± -		WEIGHT	REV 01	
3 PLC ± -		CUSTOMER DRAWING		
4 PLC ± -				
ANGLES ± -				
FINISH				

1825192-2